

REGENCY
Tables and Sinks

Regency 16 Gauge 5' Soiled / Dirty Dish Table - Right Drainboard

#600DDT60R



Technical Data

| | |
|---------------------|-----------------|
| Length | 60 Inches |
| Width | 30 Inches |
| Height | 44 3/4 Inches |
| Bowl Depth | 6 Inches |
| Backsplash Height | 10 Inches |
| Work Surface Height | 34 Inches |
| Backsplash | With Backsplash |
| Bowl Front to Back | 20 1/4 Inches |
| Bowl Left to Right | 20 1/4 Inches |
| Drain Opening | 3 1/2 Inches |

Features

- Ideal for restaurant and hotel dishwashing stations
- 16-gauge 304-series stainless steel construction
- 10 3/4" high backsplash and a 2" return for drainage
- Durable bullet feet
- Lip attaches to dishwasher (sold separately)

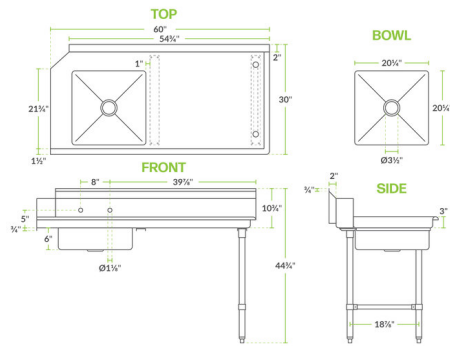
Certifications



Technical Data

| | |
|------------------------|--|
| Features | Massachusetts Accepted Plumbing Product NSF Listed With Sink |
| Gauge | 16 Gauge |
| Installation Type | Right Side |
| Leg Construction | Stainless Steel |
| Material | Stainless Steel |
| Number of Compartments | 1 Compartment |
| Stainless Steel Type | Type 304 |
| Style | Straight |
| Type | Dirty / Soiled Dishtables |

Plan View



Notes & Details

Keep your dirty dishes organized and in a safe area with this Regency 5' long soiled / dirty dish table! It's made of durable 16-gauge, 304-series stainless steel and features a 10 3/4" high backsplash with a 2" return at a 45 degree angle and an included drain assembly.

Two splash mount holes are cut on 8" centers for a faucet (sold separately). This 5' long soiled / dirty dish table has 1 5/8" diameter stainless steel legs with stainless steel sockets, gusset channel, and bullet feet for added durability.

⚠ WARNING: This product can expose you to chemicals including lead, which are known to the State of California to cause cancer and birth defects or other reproductive harm. For more information, go to www.p65warnings.ca.gov.