



Regency 16 Gauge 4' Soiled / Dirty Dish Table - Left Drainboard

#600DDT48L



Technical Data

Length	48 Inches
Width	30 Inches
Height	44 3/4 Inches
Bowl Depth	6 Inches
Backsplash Height	10 3/4 Inches
Work Surface Height	34 Inches
Backsplash	With Backsplash
Bowl Front to Back	20 1/4 Inches
Bowl Left to Right	20 1/4 Inches
Drain Opening	3 1/2 Inches

Features

- Ideal for restaurant and hotel dishwashing stations
- 16-gauge 304-series stainless steel construction
- 10 3/4" high backsplash and a 2" return for drainage
- Durable bullet feet
- Lip attaches to dishwasher (sold separately)

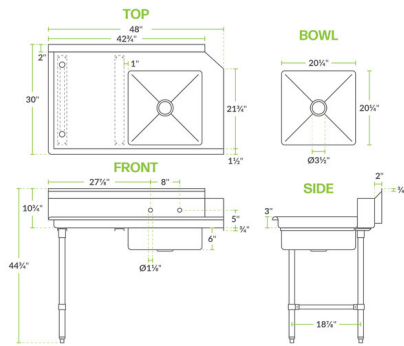
Certifications



Technical Data

Features	Massachusetts Accepted Plumbing Product NSF Certified With Sink
Gauge	16 Gauge
Installation Type	Left Side
Leg Construction	Stainless Steel
Material	Stainless Steel
Number of Compartments	1 Compartment
Stainless Steel Type	Type 304
Style	Straight
Type	Dirty / Soiled Dishables

Plan View



Notes & Details

Keep your dirty dishes organized and in a safe area with this Regency 4' long soiled / dirty dish table! It's made of durable 16-gauge, 304-series stainless steel and features a 10 3/4" high backsplash with a 2" return at a 45 degree angle and an included drain assembly.

Two splash mount holes are cut on 8" centers for a faucet (sold separately). This 4' long soiled / dirty dish table has 1 5/8" diameter stainless steel legs with stainless steel sockets, gusset channel, and bullet feet for added durability.