



Regency Stainless Steel Underbar Drainboard - 12" x 18"

#600DBU1812



Technical Data

| | |
|---------------------|-----------------|
| Length | 12 Inches |
| Width | 18 Inches |
| Height | 34 Inches |
| Backsplash Height | 4 Inches |
| Work Surface Height | 30 Inches |
| Backsplash | With Backsplash |
| Base Style | Open |
| Drain Size | 1 Inch |
| Features | NSF Certified |
| Gauge | 18 Gauge |

Features

- Durable stainless steel construction; galvanized legs with bullet feet
- Adjustable front-to-back cross-bracings for stability
- Galvanized steel legs with stainless steel socket and plastic bullet feet
- Drain and backsplash reduce potential for wet, slippery surfaces
- 1" IPS drain

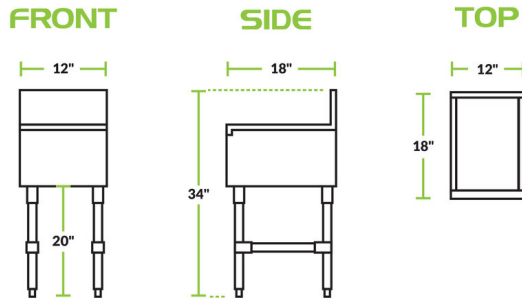
Certifications



Technical Data

| | |
|----------------------|-----------------|
| Material | Stainless Steel |
| Stainless Steel Type | Type 304 |
| Type | Drainboards |
| Usage | Standard |

Plan View



Notes & Details

Prep all your favorite beverages and more with this Regency stainless steel underbar drainboard. This type 304 stainless steel unit features a 1" IPS drain and is fitted with a 4" backsplash to quickly drain away excess water while protecting the surrounding area from drips and splashes. The 18 gauge drainboard is designed for exceptional durability and years of high volume use thanks to sturdy stainless steel construction.

This underbar drainboard has sturdy galvanized steel legs with stainless steel sockets and plastic bullet feet. These features ensure stability during use. This stainless steel underbar drainboard has a durable and efficient design, making it the perfect addition to your restaurant or bar.