

REGENCY
Tables and Sinks

Regency 6' 16-Gauge Stainless Steel Clean L-Shape Dishtable - Right Island

#600CDTI72R



Technical Data

Length	60 Inches
Width	72 Inches
Height	44 3/4 Inches
Backsplash Height	10 3/4 Inches
Work Surface Height	34 Inches
Backsplash	With Backsplash
Gauge	16 Gauge
Installation Type	Right Side
Leg Construction	Stainless Steel
Material	Stainless Steel

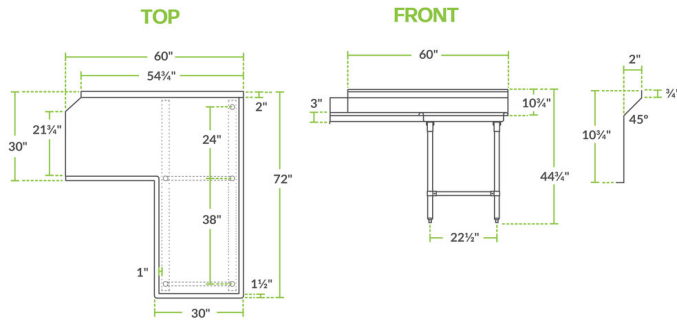
Features

- Ideal for restaurant and hotel dishwashing stations
- 16-gauge type 304 stainless steel construction
- Lip attaches to dishwasher (sold separately)
- 10 3/4" high backsplash and a 2" return for drainage
- Durable bullet feet

Technical Data

Stainless Steel Type	Type 304
Style	L Shaped
Type	Clean Dishtables

Plan View



Notes & Details

This L-shape dishtable from Regency Tables & Sinks brings an incredible combination of performance, quality, and convenience that is sure to boost the efficiency in your kitchen! This 6' clean dishtable is made of 16-gauge type 304 stainless steel, making it a durable, corrosion-resistant package that is sure to last over the long haul. It boasts plenty of space to accommodate a dish rack coming out of your dishwasher, providing a convenient resting place until you're ready to unload. This island dishtable has a 3" lip along the edge of the table. This lip helps contain dishes and spills to prevent messes.

Perfect for use in restaurant and hotel dishwashing stations, this unit has a lip that attaches to your dishwasher (sold separately) for a convenient setup that makes it easier to clean your dinnerware and cookware. The table features a 10 3/4" high backsplash to protect your walls and floors, along with a 2" return for drainage. Plus, its 1 5/8" diameter stainless steel legs and durable bullet feet protect your floors from scratches and keep your table stable. Ensure fast, efficient dish room operations with this comprehensive dishtable package!