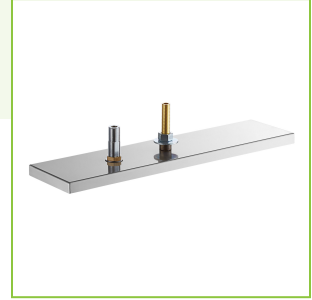




## Regency 20" x 5" Stainless Steel Surface Mount Beer Drip Tray with Rinser

#600BDR20SR



### Technical Data

Width	20 Inches
Depth	5 Inches
Height	3/4 Inch
Color	Silver
Features	Dishwasher Safe Glass Rinser NSF Certified
Material	Stainless Steel
Mounting Style	Surface Mounted
Shape	Rectangle

### Features

- 18 gauge type 304 stainless steel
- Removable perforated grate for easy cleaning
- 1/2" NPT water inlet, threaded brass 3 1/2" x 5/8"-18 drain
- Rinser sprays glass with water for perfect pour
- Drains excess beer and foam and keeps up cleanliness

### Certifications



Dishwasher Safe



1/2" Water Connection

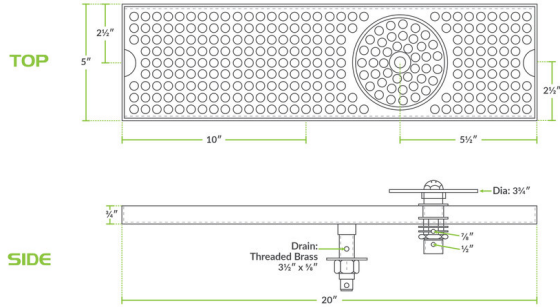


NSF Certified

## Technical Data

Type	Drip Trays Glass Rinsers
Water Inlet Size	1/2 Inches

## Plan View



## Notes & Details

The Regency 20" x 5" beer drip tray is the perfect addition to your bar service area! It is ideal for placing under beer taps and makes for a great spot to temporarily sit a drink after it is poured so that any overflow is caught and collected. This rail is designed to be surface mounted beneath beer or other beverage taps.

The built in sprayer will quickly spray a stream of water into glasses which will rinse them out and also make the inside of the glass wet for a cleaner pour. Made of 18 gauge type 304 stainless steel, you can expect a tough and durable composition as well as the benefit of being non-corrosive. The top grate features draining slots and is removable for easy cleaning and maintenance. A brass 3 1/2" x 5/8"-18 threaded drain allows any liquids to flow out of the rail, preventing overflows on the floor or counter.

**⚠ WARNING:** This product can expose you to chemicals including Lead and Nickel, which are known to the State of California to cause cancer and birth defects or other reproductive harm. For more information, go to [www.p65warnings.ca.gov](http://www.p65warnings.ca.gov).