



Regency 18" Stainless Steel Surface Mount Beer Drip Tray

#600BDR18S



Technical Data

| | |
|-------------------|----------------------------------|
| Width | 18 Inches |
| Depth | 5 Inches |
| Height | 3/4 Inch |
| Color | Silver |
| Drain Outlet Size | 1/4 Inch |
| Features | Dishwasher Safe NSF Certified |
| Gauge | 18 Gauge |
| Material | Stainless Steel |
| Mounting Style | Surface Mounted |

Features

- 18 gauge type 304 stainless steel
- Removable perforated grate for easy cleaning
- Threaded 3 1/2" x 5/8"-18 brass drain
- Surface-mount design prevents drips and spills
- Drains excess beer and foam and keeps up cleanliness

Certifications



Dishwasher Safe

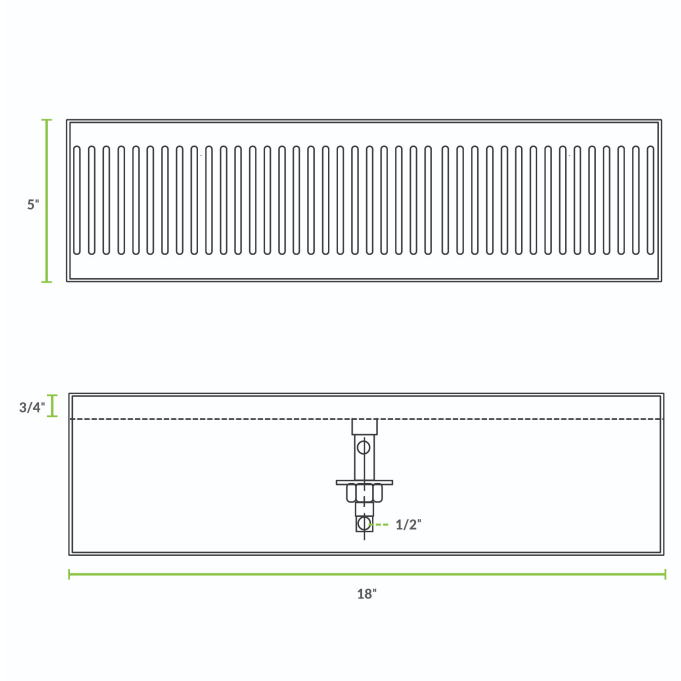


NSF Certified

Technical Data

| | |
|----------------------|------------|
| Shape | Rectangle |
| Stainless Steel Type | Type 304 |
| Type | Drip Trays |

Plan View



Notes & Details

The Regency 18" beer drip tray is the perfect addition to your bar service area! It is ideal for placing under beer taps and makes for a great spot to temporarily sit a drink after it is poured so that any overflow is caught and collected. This rail is designed to be surface mounted beneath beer or other beverage taps.

Made of 18 gauge type 304 stainless steel, you can expect a tough and durable composition, as well as the benefit of being non-corrosive. The top grate features draining slots and is removable for easy cleaning and maintenance. A 3 1/2" x 5/8"-18 brass drain allows any liquids to flow out of the rail, preventing overflows onto the floor or counter.

⚠ WARNING: This product can expose you to chemicals including Lead and Nickel, which are known to the State of California to cause cancer and birth defects or other reproductive harm. For more information, go to www.p65warnings.ca.gov.