



Regency 26 1/2" x 21" Two Bowl Underbar Sink

#600B22126



Technical Data

Length	26 1/2 Inches
Width	21 Inches
Height	33 Inches
Bowl Depth	10 Inches
Backsplash Height	3 Inches
Work Surface Height	30 Inches
Backsplash	With Backsplash
Bowl Front to Back	14 Inches
Bowl Left to Right	10 Inches
Faucet Centers	4 Inches

Features

- 18 and 20 gauge, type 304 stainless steel construction
- Two 2" drains (1 1/2" IPS) and drain baskets included
- Deep bowls accommodate tall glasses and pitchers
- Backsplash limits messes
- Holes punched on 4" centers

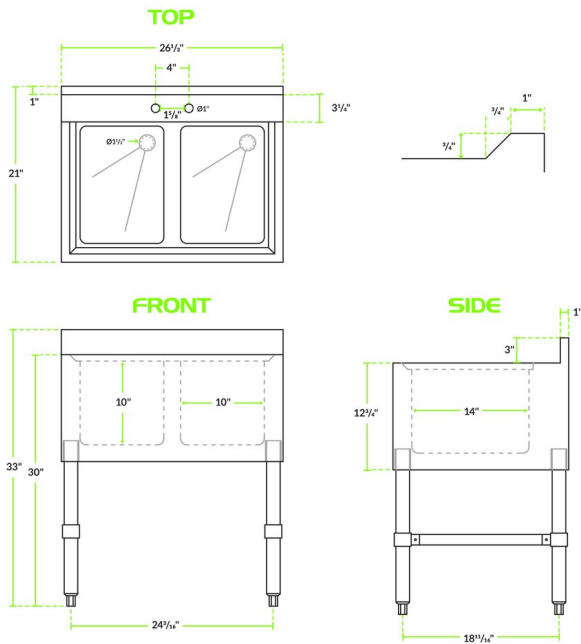
Certifications



Technical Data

Features	NSF Certified
Gauge	18 - 20 Gauge
Leg Construction	Galvanized Steel
Material	Stainless Steel
Number of Compartments	2 Compartments
Number of Drainboards	None
Stainless Steel Type	Type 304
Type	Bar Sinks

Plan View



Notes & Details

Choose a reliable product with this standard-duty Regency underbar sink. The two sink bowls are deep and accommodate a large variety of glassware, including pitchers and taller glasses. As an added convenience, it features a 3" high backsplash to protect your bar from spills and splashes. This underbar sink has holes punched on 4" centers for simple faucet installation (sold separately).

This sink offers a durable 18 gauge, type 304 stainless steel construction along its top, bowl, and back. It also sports a 20 gauge, type 304 stainless steel apron. For maximum stability, the galvanized steel legs are cross-braced and feature plastic bullet feet. Two 2" drains with 1 1/2 IPS drain connections and drain baskets allow water to drain safely during use.