

**REGENCY**  
Tables and Sinks

**Regency 26 1/2" x 18 3/4" Two Bowl Underbar Sink**

#600B21014



**Technical Data**

Length	26 1/2 Inches
Width	18 3/4 Inches
Height	33 Inches
Spout Length	8 Inches
Bowl Depth	10 Inches
Backsplash Height	3 Inches
Work Surface Height	30 Inches
Backsplash	With Backsplash
Bowl Front to Back	14 Inches
Bowl Left to Right	10 Inches

**Features**

- 18 and 20 gauge, type 304 stainless steel construction
- Two 2" drains (1 1/2" IPS) and drain baskets included
- Deep bowls accommodate tall glasses and pitchers
- Backsplash limits messes
- Galvanized legs with bullet feet

**Certifications**



NSF Certified

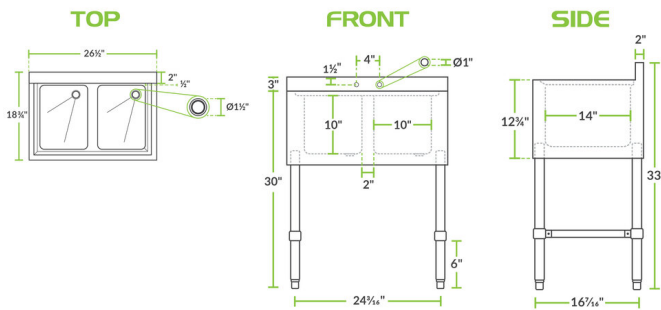


1/2" Water Connection

## Technical Data

Faucet Centers	4 Inches
Features	Massachusetts Accepted Plumbing Product NSF Certified
Flow Rate	2 GPM
Gauge	18 Gauge
Leg Construction	Galvanized Steel
Material	Stainless Steel
Number of Compartments	2 Compartments
Number of Drainboards	None
Spout Clearance	2 5/16 Inches
Spout Type	Swing
Stainless Steel Type	Type 304
Type	Bar Sinks
Water Inlet Size	1/2 Inches

## Plan View



## Notes & Details

This standard-duty Regency underbar sink is ready for efficient washing and drying of your barware. The two deep, 10" sink bowls accommodate all types of glasses, including pitchers! As an added convenience, it features a 3" high backsplash to keep your bar better protected. This underbar sink has two holes punched on 4" centers to accept an 8" swivel faucet (faucet sold separately).

This sink offers a durable 18 gauge, type 304 stainless steel construction along its top, bowl, and back, in addition to a 20 gauge, type 304 stainless steel apron. For maximum stability, it has 16 gauge galvanized steel legs with plastic bullet feet. Two 2" drains with 1 1/2 IPS drain connections and drain baskets allow water to drain safely during use.