



Regency Spec Line 30" x 120" 14-Gauge 304 Stainless Steel Commercial Open Base Work Table

#600WTS30120S



Technical Data

Length	120 Inches
Width	30 Inches
Height	34 Inches
Backsplash	Without Backsplash
Base Style	Open
Configuration	Straight
Features	ADA Compliant NSF Certified
Gauge	14 Gauge
Leg Construction	Stainless Steel

Features

- Large table is perfect for multiple workers and a variety of prep tasks
- Open base allows for additional storage space and adjustable feet provide stability
- Open base allows for additional storage space and adjustable feet provide stability
- Large table is perfect for multiple workers and a variety of prep tasks
- Open base allows for additional storage space and adjustable feet provide stability

Certifications



ADA Compliant

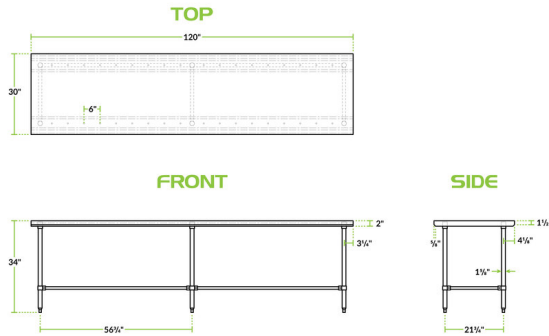


NSF Certified

Technical Data

Number of Legs	6 Legs
Stainless Steel Type	Type 304
Table Style	Open Base
Tabletop Material	Stainless Steel
Top Capacity	970 lb.
Usage	Heavy Duty

Plan View



Notes & Details

This Regency Spec Line 30" x 120" stainless steel commercial open base work table is a versatile addition to your kitchen. Constructed from durable, easy-to-clean 14-gauge, 304-series stainless steel, this work table offers superior corrosion resistance and durability compared to other work tables made of 430-series stainless steel. Due to its stainless steel construction, it's built to withstand the daily tasks in your restaurant, cafe, or bakery. Great for rolling out dough or chopping fruits and vegetables, you can provide your staff with additional work space to complete tasks efficiently.

With a working height of 34", you can create a comfortable work station for your employees. For increased stability, this work table includes 1 1/4" diameter stainless steel cross bracing and (6) 1 5/8" diameter 18 gauge stainless steel legs. Adjustable, stainless steel bullet feet allow you set up your table to best fit your needs, while its open base makes it easy to store large ingredient bins or add custom shelving underneath.

⚠ WARNING: This product can expose you to chemicals including lead, which are known to the State of California to cause cancer and birth defects or other reproductive harm. For more information, go to www.p65warnings.ca.gov.