



Regency Spec Line 24" x 24" 14-Gauge Stainless Steel Corner Work Table with Hinged Door and Lock

#600TSSCC2424



Technical Data

Length	24 Inches
Width	24 Inches
Depth	12 3/16 Inches
Height	38 Inches
Nominal Width	24 Inches
Backsplash Height	4 Inches
Work Surface Height	34 Inches
Backsplash	With Backsplash
Base Style	Fully Enclosed
Color	Silver

Features

- Durable 14-gauge, type 304 stainless steel top
- 18-gauge, type 304 stainless steel body
- Cabinet has a hinged door and lock with two keys
- Legs can be adjusted from 5" to 7" in height
- Includes 4" backsplash

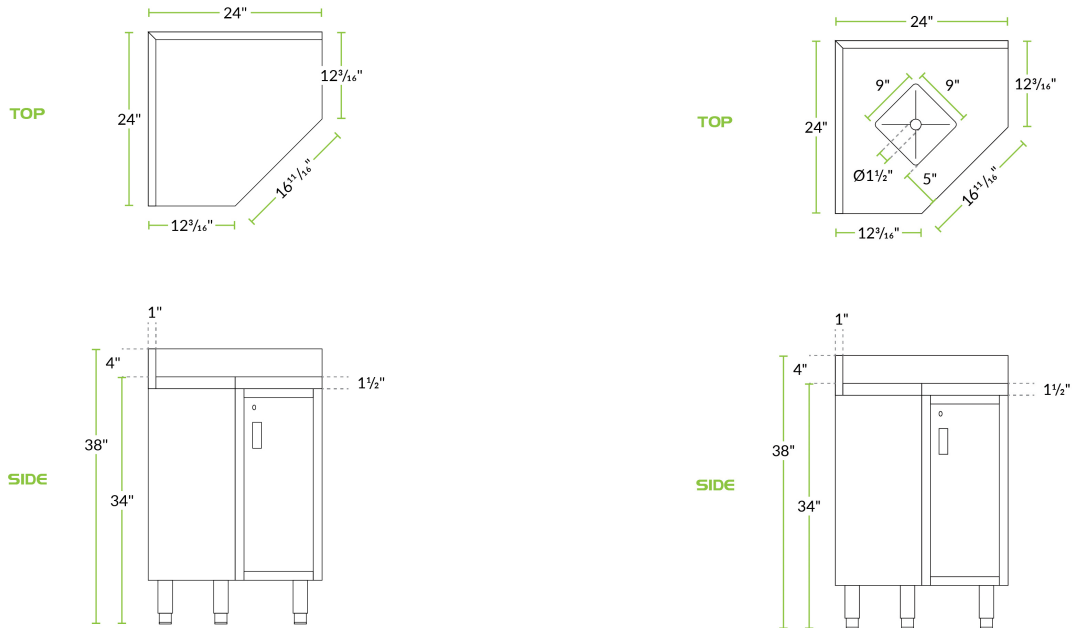
Certifications



Technical Data

Configuration	Corner
Door Style	Swing
Features	NSF Certified
Gauge	14 Gauge
Leg Construction	Stainless Steel
Material	Stainless Steel
Number of Doors	1 Doors
Number of Legs	5 Legs
Size	24" x 24"
Stainless Steel Type	Type 304
Style	Corner
Table Style	Enclosed Base
Tabletop Material	Stainless Steel
Type	Corner Work Tables
Usage	Heavy Duty

Plan View



Notes & Details

Make the most of your work space with this Regency Spec Line 24" x 24" corner work table with a hinged door and lock. The top of this work table is constructed from 14-gauge, type 304 stainless steel, while the body is constructed from 18-gauge, type 304 stainless steel. The durable stainless steel construction ensures that this table can withstand the rigors of daily use in a commercial kitchen. This table fits into corners to maximize space in your crowded kitchen.

This table includes a cabinet with a hinged door and a lock with two keys. For maximum stability, it has stainless steel legs that can be adjusted from 5" to 7" in height. Save space in your kitchen with this corner work table!

WARNING: This product can expose you to chemicals including lead, which are known to the State of California to cause cancer and birth defects or other reproductive harm. For more information, go to www.p65warnings.ca.gov.