



Regency Spec Line 72" Stainless Steel Single Tier Speed Rail

#600RS72S



Technical Data

Length	72 Inches
Width	5 Inches
Height	8 3/4 Inches
Capacity	18 Bottles
Color	Silver
Gauge	14 - 20 Gauge
Material	Stainless Steel
Style	Single

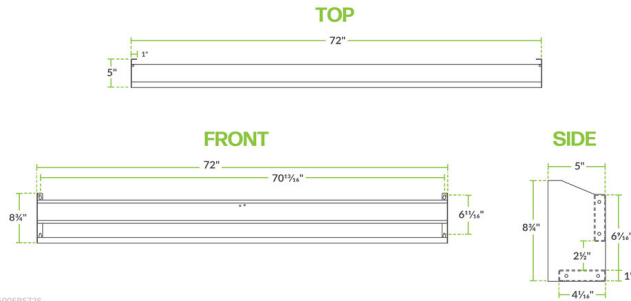
Features

- 18 standard bottle (fifth) capacity
- 20 gauge stainless steel front and bottom with 14 gauge stainless steel sides
- Superior sound-deadened construction
- Simple keyhole installation (mounting hardware included)
- Keeps bottles organized and easily within reach

Technical Data

Mounting Style	Keyholes Screw-Mounted
Type	Speed Rails

Plan View



Notes & Details

Create easy access to your most popular liquors with this Regency Spec Line stainless steel single tier speed rail! Use this rail in your front-of-house bar to keep bottles organized and easily accessible during happy hour. This speed rail can hold up to (18) 1 liter bottles at a time. Plus, with superior sound-deadened construction, removing and adding bottles is quieter than ever!

The 20 gauge stainless steel front and bottom with 14 gauge stainless steel sides add durability, in addition to a polished, professional look. Additionally, it is easy to clean when not in use. A simple keyhole installation design makes it a breeze to set this speed rail up for use (mounting hardware included). A single tier design helps outfit your operation with unmistakable practicality and style that will serve as an essential part of any drink-serving application.

⚠ WARNING: This product can expose you to chemicals including lead, which are known to the State of California to cause cancer and birth defects or other reproductive harm. For more information, go to www.p65warnings.ca.gov.