



Regency Spec Line 36" Five-Tiered Stainless Steel Liquor Display Rack - 29" Deep

#600LDR3629S



Technical Data

| | |
|-------------------------|-----------------|
| Length | 36 Inches |
| Width | 29 Inches |
| Height | 37 Inches |
| Backsplash Height | 7 Inches |
| Work Surface Height | 30 Inches |
| Maximum Bottle Diameter | 3 5/16 Inches |
| Backsplash | With Backsplash |
| Capacity | 45 Bottles |
| Features | Spec Line |
| Gauge | 14 - 18 Gauge |

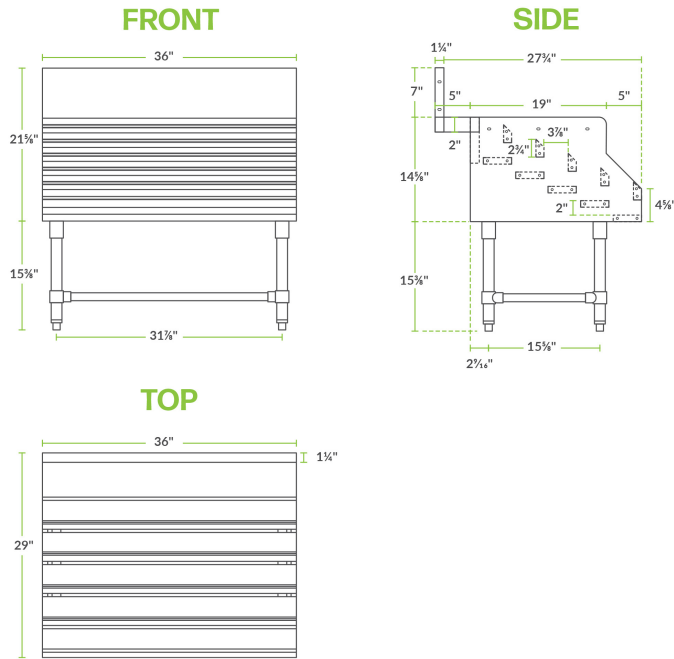
Features

- Five-tiered design holds approximately 45 liquor bottles
- 18 gauge stainless steel body with 14 gauge sides
- Superior sound-deadened construction
- Stainless steel legs with U-shaped cross bracing and bullet feet
- 16 gauge steel bars hold bottles in place

Technical Data

| | |
|----------------------|-------------------|
| Leg Construction | Stainless Steel |
| Material | Stainless Steel |
| Number of Tiers | 5 Tiers |
| Product Line | Regency Spec Line |
| Stainless Steel Type | Type 304 |
| Type | Liquor Displays |

Plan View



Notes & Details

Effectively store liquor bottles within convenient reach of the bartender while creating a unique display for customers with this Regency Spec Line liquor display rack! At 29" deep, this rack accommodates approximately 45 liquor bottles and, thanks to the stepped five-tiered design, all bottles are clearly on display at all times. Plus, with superior sound-deadened construction, removing and adding bottles is quieter than ever!

Built for reliable, long-lasting performance, this Regency liquor display rack features an 18 gauge type 304 stainless steel body with 14 gauge stainless steel sides. That not only makes for a durable addition to your bar setup, but also one that is extremely simple to clean! 16 gauge steel bars hold bottles in place for added assurance. The stainless steel legs with U-shaped cross bracing provide added stability and rest upon plastic bullet feet.