



Regency Spec Line 24" x 24" Underbar Ice Bin - 77 lb.

#600IB2424S



Technical Data

Length	24 Inches
Width	24 Inches
Height	30 Inches
Ice Bin Length	22 Inches
Ice Bin Width	15 3/16 Inches
Backsplash Height	7 Inches
Capacity	77 lb.
Drain Outlet Size	1 Inch
Gauge	20 Gauge
Installation Type	Freestanding

Features

- 20 gauge, corrosion-resistant type 304 stainless steel bin; 77 lb. capacity
- 2 plastic bottle holders and a 7" backplash limits messes
- Stainless steel legs with U-shaped cross bracing and bullet feet
- Foam insulated walls
- 1" IPS drain

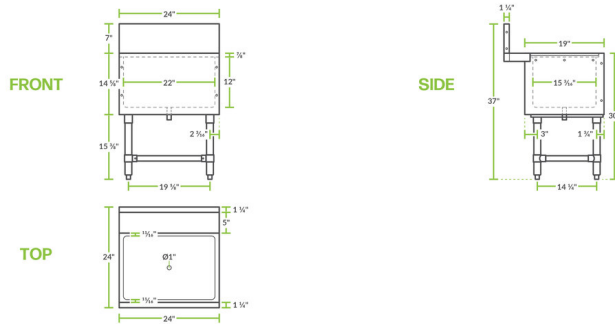
Certifications



Technical Data

Features	Bottle Storage NSF Certified Spec Line With Backsplash
Insulation Material	Foam
Leg Construction	Stainless Steel
Material	Stainless Steel
Stainless Steel Type	Type 304
Type	Ice Bins Without Cold Plate

Plan View



Notes & Details

Keep ice right where you need it, when you need it, with this Regency Spec Line underbar ice bin. Its compact height makes it ideal for underbar use at your bar, pub, club, or restaurant. Featuring a 20 gauge, corrosion-resistant type 304 stainless steel design, it is extremely durable and easy to clean. It rests atop stainless steel legs with U-shaped cross bracing and bullet feet for ultimate stability. A 1" IPS drain pipe safely drains melted ice water from the unit, so you're only left with solid pieces.

With its 77 lb. ice capacity, this heavy-duty bin holds plenty of ice to keep your operation going, customer after customer. To keep your bar protected from potential water damage, this ice bin is built with a tall 7" backplash. The foam insulation helps keep this ice bin's contents cool, saving you money by wasting less ice. As an added bonus, it includes two plastic bottle holders with removable dividers to keep your drinks or mixers nice and cold throughout your busy shifts. Perfect for full bar line builds, this underbar ice bin features rivet holes for attaching accessories or joining equipment for a seamless behind-the-bar bar setup!