



Regency Spec Line 30" x 19" Stainless Steel Underbar Drainboard

#600DBU1930S



Technical Data

Length	30 Inches
Width	19 Inches
Height	37 Inches
Backsplash Height	7 Inches
Work Surface Height	30 Inches
Backsplash	With Backsplash
Base Style	Open
Drain Size	1 Inch
Features	Spec Line
Gauge	18 Gauge

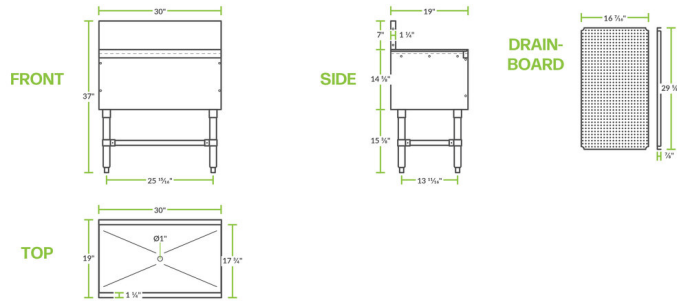
Features

- 18 gauge type 304 stainless steel construction
- Removable perforated drainboard top
- Stainless steel legs with U-shaped cross bracing and bullet feet
- 7" backsplash
- 1" IPS drain

Technical Data

Leg Construction	Stainless Steel
Material	Stainless Steel
Product Line	Regency Spec Line
Stainless Steel Type	Type 304
Top Style	Perforated
Type	Drainboards
Usage	Premium

Plan View



Notes & Details

This Regency Spec Line stainless steel underbar drainboard provides space for your freshly washed glasses to dry, allowing you to quickly and easily prep mojitos, Long Island iced teas, beer, or any number of your popular beverages. This type 304 stainless steel unit features a 1" IPS drain and is fitted with a 7" backsplash to quickly drain away excess water while protecting the surrounding area from drips and splashes. The 18 gauge drainboard is designed for exceptional durability and years of high-volume use thanks to sturdy stainless steel construction.

This underbar drainboard has a perforated drainboard top that is removable for added convenience and ease of use. The sturdy stainless steel legs with U-shaped cross bracing and plastic bullet feet ensure stability during use. This stainless steel underbar drainboard has a durable and efficient design, making it the perfect addition to your restaurant or bar.