



Regency Spec Line 72" Stainless Steel Combination Cocktail Station with Liquor Display Rack and Drainboard

#600CSLD2972S



Technical Data

Length	72 Inches
Width	29 Inches
Height	37 Inches
Bin Depth	10 Inches
Backsplash Height	7 Inches
Work Surface Height	30 Inches
Maximum Bottle Diameter	3 7/8 Inches
Backsplash	With Backsplash
Capacity	60 - 220 lb.
Drain Size	1 1/2 Inches

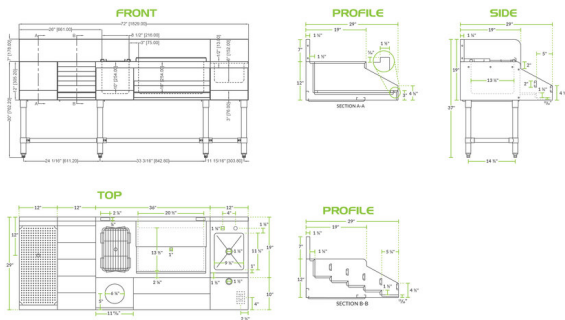
Features

- Complete bar station with 6-bottle elixir station and 10" trash chute
- Double speed rail for immediate access to frequently used liquor and mixers
- Full stainless steel construction
- Liquor display rack expands available selection
- 12" recessed drainboard with drain and removable perforated insert

Technical Data

Faucet Centers	4 Inches
Features	Drainboard Liquor Display Spec Line Trash Chute
Gauge	14 - 18 Gauge
Leg Construction	Stainless Steel
Material	Stainless Steel
Product Line	Regency Spec Line
Stainless Steel Type	Type 304
Type	Workstations Without Cold Plate

Plan View



Notes & Details

Enhance the efficiency of your bar setup with the Regency Spec Line cocktail station. This complete bar station boasts an elixir station that can fit up to 6 bottles and a convenient trash chute that's 10" in diameter. The trash chute can fit trash cans that are up to 18" tall and 11 13/16" wide. The double speed rail provides immediate access to frequently used liquor and mixers, ensuring smooth and swift service during peak hours. Crafted from durable stainless steel, this cocktail station is built to withstand the rigors of a busy bar environment, making it a reliable addition to any commercial bar setting.

This unit has an 18 gauge, type 304 stainless steel top shelf, backsplash, apron, and bottom, as well as 16 gauge stainless steel legs and U-shaped cross bracing for maximum durability. Stainless steel sockets and bullet feet provide stability, while the included 14 gauge, type 304 stainless steel blender shelf provides a stable structure for your blender. A pre-cut hole fitted with a grommet allows convenient access to plug in blender power cords and keep them tucked away out of sight. The liquor display rack expands your available liquor selection and provides a sleek presentation.

The included 9 1/4" x 11 1/2" sink bowl is 6" deep and includes 4" centers for convenient faucet installation (faucet sold separately). Featuring a 12" recessed drainboard with a drain and removable perforated insert, this cocktail station simplifies cleanup and maintenance. The 7" backsplash includes tubing access holes for added convenience. This unit has an insulated drop-in ice chest that comes equipped with a 1 1/2" drain and 4" tailpiece, along with 2 plastic bottle holders for organized storage. Elevate your bar service with this efficient and durable cocktail station that is designed to streamline operations and enhance the overall customer experience.