



Regency 16 Gauge Stainless Steel 18" x 72" Heavy-Duty Wall Shelf

#600WS1872HD



Technical Data

Length	72 Inches
Width	18 Inches
Height	14 9/16 Inches
Backsplash Height	1 1/2 Inches
Backsplash	With Backsplash
Capacity	505 lb.
Color	Silver
Features	NSF Certified
Gauge	16 Gauge

Features

- 16 gauge stainless steel
- Mounts directly to wall (mounting hardware sold separately)
- 505 lb. capacity
- Includes 3 support brackets
- Easy-to-clean design

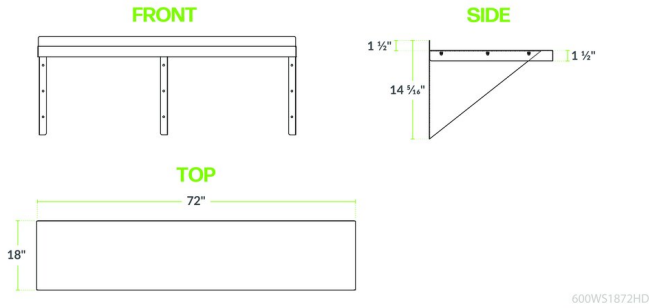
Certifications



Technical Data

Material	Stainless Steel
Style	Solid
Type	Wall Shelves

Plan View



Notes & Details

Keep food, dishes, or other small items from cluttering your work area with the Regency 18" x 72" stainless steel heavy-duty wall shelf! This shelf is made of 16 gauge type 430 stainless steel to provide outstanding durability and long-lasting support. This shelf has a maximum capacity of 505 lb. and comes with 3 support brackets. The corners are solid welded and polished to a matching finish, and all edges are rounded and smooth to help prevent accidental injury.

Installation hardware sold separately.

⚠ WARNING: This product can expose you to chemicals including lead, which are known to the State of California to cause cancer and birth defects or other reproductive harm. For more information, go to www.p65warnings.ca.gov.