



## Regency 36" Stainless Steel Wall Cabinet with Hinged Doors

#600WCH1536



### Technical Data

Length	36 Inches
Width	15 Inches
Height	32 Inches
Height Between Shelves	10 1/2 Inches
Door Style	Swing
Door Type	Hinged
Features	Locking NSF Certified
Gauge	18 Gauge
Installation Type	Wall Mounted

### Features

- Durable, corrosion-resistant 18 gauge type 304 stainless steel construction
- 2 hinged, locking doors for extra security
- Fixed mid-shelf maximizes storage capacity
- Sloped top makes cleaning easier
- Ventilation slits on sides

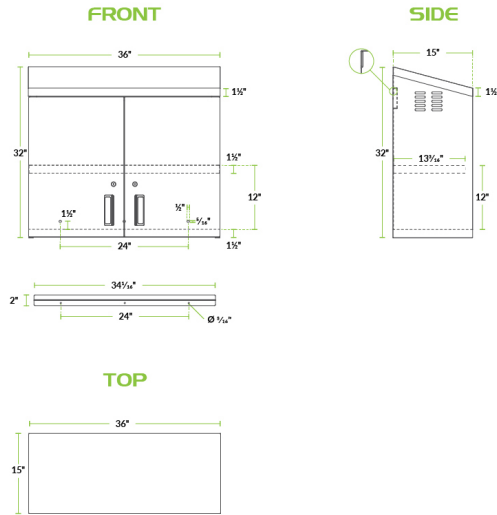
### Certifications



## Technical Data

Hinge Location	Left Right
Material	Stainless Steel
Stainless Steel Type	Type 304
Style	Enclosed
Type	Cabinets

## Plan View



## Notes & Details

Storage is a vital commodity in any business, so make use of unused wall space with this Regency 36" stainless steel wall cabinet! This unit turns an open section of your wall into a place to keep commonly used items so that they're near at hand when you need them, and out of the way when you don't. It's a perfect location to keep chemicals and janitorial supplies, or you can use it for general storage needs in restaurants and office buildings. It boasts 2 hinged doors to provide a clean look and prevent dust from settling on the interior shelves. And since the doors lock, you can also use your cabinet to prevent theft or limit access to certain items. You can store items on the bottom shelf of the cabinet, and it also comes with a fixed mid-shelf.

The cabinet is made from stainless steel to provide superior durability in any setting, and it comes with a sloped top to make cleaning easy and to discourage dust from settling. Slits in the sides of the cabinet allow adequate ventilation when the doors are closed. This cabinet comes with a cleat-style mounting bracket, and all other mounting hardware is sold separately.

**WARNING:** This product can expose you to chemicals including lead, which are known to the State of California to cause cancer and birth defects or other reproductive harm. For more information, go to [www.p65warnings.ca.gov](http://www.p65warnings.ca.gov)