



Regency Stainless Steel Ceiling-Mounted Pot Rack with 18 Double Prong Hooks - 72"

#600CMPR72S



Technical Data

Length	72 Inches
Width	22 Inches
Chain Length	24 Inches
Color	Silver
Features	NSF Listed
Material	Stainless Steel
Mounting Style	Ceiling
Number of Hooks	18 Hooks
Type	Triple Rack

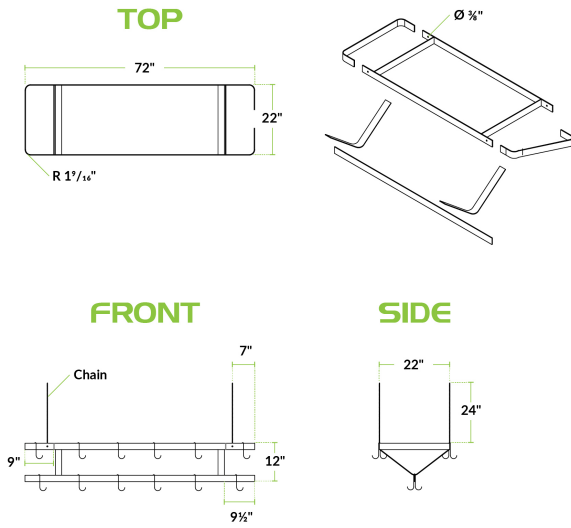
Features

- 4 plated chain hangers included to hang from ceiling
- Durable 18-gauge, type 304 stainless steel construction
- Triple-bar construction ensures stability and longevity
- Includes 18 double-pronged pot hooks
- Perfect for busy or compact kitchens

Certifications



Plan View



Notes & Details

This Regency stainless steel ceiling-mounted pot rack with 18 double prong hooks is perfectly equipped to handle your busy kitchen. This durable rack allows you to utilize the vertical storage space in your kitchen, keeping your counters and drawers free for other things. Plus, the staggered design of the 18 double prong hooks allows pots, pans, and utensils to hang neatly without overlap in a smaller footprint. Hang it above your work table or other food prep area to keep your kitchen organized and your staff working efficiently.

Constructed of durable 18-gauge, type 304 stainless steel, this hanging rack ensures longevity and is easy to clean. This hanging rack also includes 4 holes for the 4 plated chain hangers to help you safely mount the rack to the ceiling, so you don't have to worry about the safety or strength of your rack. The hanging rack is triple-bar constructed for added stability and longevity, so this piece can be a staple helper in your kitchen for many years to come.

⚠ WARNING: This product can expose you to chemicals including lead, which are known to the State of California to cause cancer and birth defects or other reproductive harm. For more information, go to www.p65warnings.ca.gov.