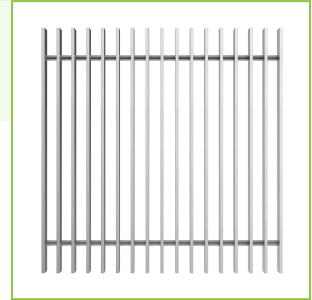
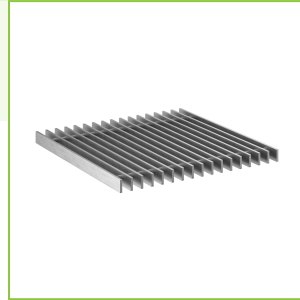




## Regency 7-Gauge Stainless Steel Grate for 18" x 18" Floor Drains

#600FS18GRATE



### Technical Data

Length	16 Inches
Width	16 Inches
Features	NSF Certified
Gauge	7 Gauge
Material	Stainless Steel
Stainless Steel Type	Type 304
Style	Stainless Steel Grate
Type	Grates

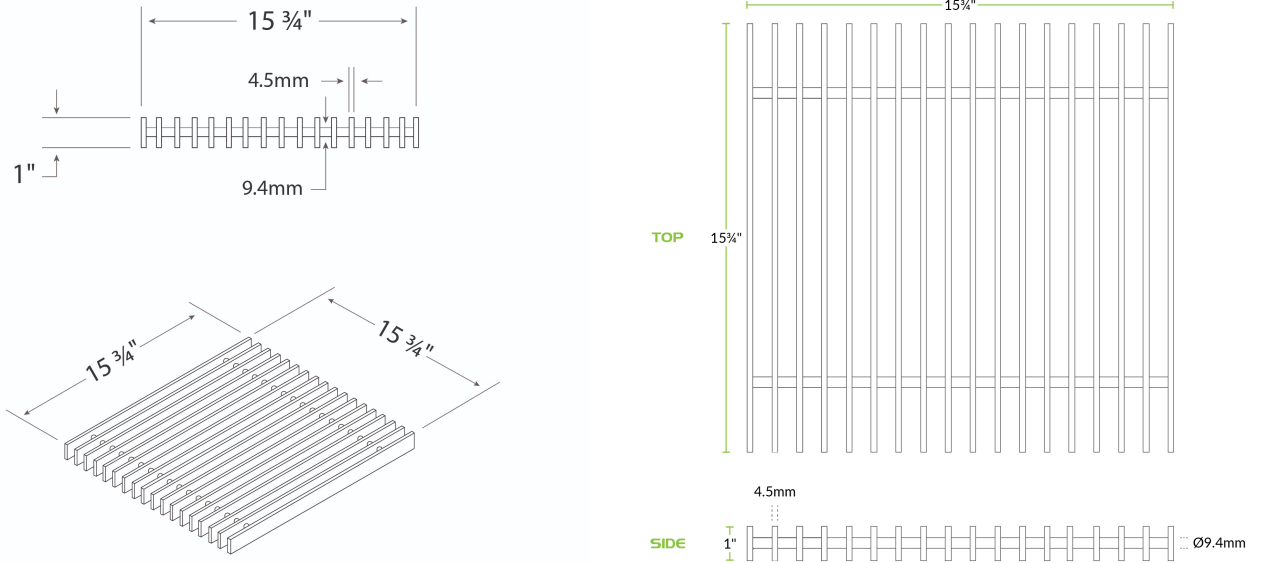
### Features

- Designed for use with Regency 18" x 18" floor drains
- Features a sturdy 7-gauge, type 304 stainless steel construction
- Removable 3/16" x 1" subway-style design enables easy cleaning and maintenance
- 9/16" space between each bar prevents equipment and casters from getting stuck
- Perfect for maintaining a safe and sanitary work environment

### Certifications



## Plan View



## Notes & Details

Maintain safe and sanitary floor conditions in your busy back-of-house area with this Regency 7-gauge stainless steel floor drain grate for 18" x 18" floor drains. Pipe blockages can easily become a costly and unhygienic issue in any high-volume facility. However, this handy item is built for optimal dependability, not to mention longevity! Designed for use with Regency 18" x 18" floor drains, this grate is more than a match for all of your draining needs!

Featuring a durable 7-gauge, type 304 stainless steel construction, this item is bound to withstand the wear and tear of everyday use. Its removable 3/16" x 1" subway-style design also boasts an even 9/16" spacing between each bar. This spacing permits fluids to easily flow through, and it blocks potential clogs while enabling equipment and casters to roll over your trough without getting stuck. Perfect for new sinks or water receptacles that are missing suitable grates, this item is an excellent addition to any facility that needs to keep its space in ultimate order.