



Regency 1 3/16" Dipper Well Faucet

#600DWFAUCET2



Technical Data

Spout Length	1 3/16 Inches
Faucet Width	1 3/4 Inches
Faucet Height	6 13/16 Inches
Features	NSF Certified
Finish	Chrome
Flow Rate	0.7 GPM
Installation Type	Deck Mounted
Material	Brass Chrome-Plated Stainless Steel

Features

- 1/4" NPSM connection size
- Chrome plated type 304 stainless steel spout
- 1 3/16" long, 6 13/16" tall spout

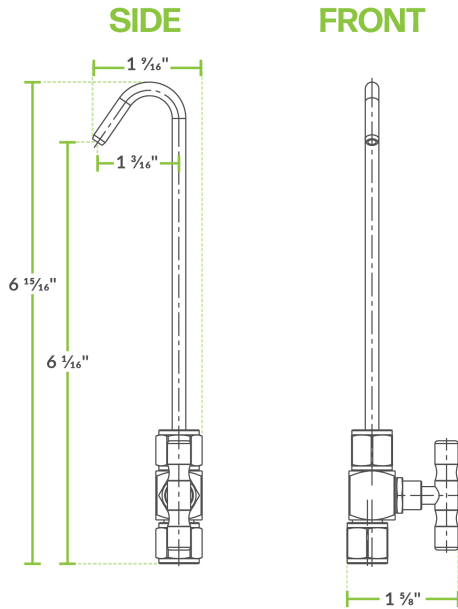
Certifications



Technical Data

Stainless Steel Type	Type 304
Thread Size	1/4 NPSM
Type	Faucets

Plan View



Notes & Details

Install a convenient and useful water fixture in your business with the Regency 1 3/16" dipper well faucet! This faucet features a fine chrome plated brass finish for a sleek appearance and long-lasting durability. Thanks to its 1/4" NPSM connection size, this faucet can quickly install into your existing water lines. The faucet is designed to be used with compatible dipper wells.

⚠ WARNING: This product can expose you to chemicals including lead, which are known to the State of California to cause cancer and birth defects or other reproductive harm. For more information, go to www.p65warnings.ca.gov.