

Howard - McCray

60" HIGH ISLAND MERCHANDISER



SELF CONTAINED

MODEL NO.	DESCRIPTION	LENGTH	WIDTH	HEIGHT	VOLTAGE	AMPS	HP	POWER CORD	EST. SHIP WEIGHT
SC-OD42I-5-B-LED	Self-Contained	60.0"	42.0"	60.0"	115/208-230	15	1 1/2	L14-20P	680
SC-OD42I-5-S-LED	Self-Contained	60.0"	42.0"	60.0"	115/208-230	15	1 1/2	L14-20P	680
SC-OD42I-7-B-LED	Self-Contained	84.0"	42.0"	60.0"	115/208-230	15	1 1/2	L14-20P	863
SC-OD42I-7-S-LED	Self-Contained	84.0"	42.0"	60.0"	115/208-230	15	1 1/2	L14-20P	863

REMOTE

MODEL NO.	DESCRIPTION	LENGTH	WIDTH	HEIGHT	VOLTAGE	AMPS	BTUS	POWER CORD	EST. SHIP WEIGHT
R-OD42I-5-B-LED	Remote	60.0"	42.0"	60.0"	115/208-230	15	11,200	Hardwired	680
R-OD42I-5-S-LED	Remote	60.0"	42.0"	60.0"	115/208-230	15	11,200	Hardwired	680
R-OD42I-7-B-LED	Remote	84.0"	42.0"	60.0"	115/208-230	15	13,200	Hardwired	863
R-OD42I-7-S-LED	Remote	84.0"	42.0"	60.0"	115/208-230	15	13,200	Hardwired	863

MODEL NUMBER PREFIX - SC = Self Contained R = Remote
 MODEL NUMBER SUFFIX - W = White B = Black S = Stainless Steel LED = LED lighting
 • Cases are designed to operate at 75 degrees Fahrenheit and 55% relative humidity
 • Cases are equipped with drains; check your local building codes for connection requirements.
 • Specification subject to change without notice
 IF COLORS ARE MIXED AN ADDITIONAL CHARGE WILL APPLY



A Division of HMC Enterprises LLC • 831 East Cayuga St • Philadelphia, PA 19124 USA

(215) 464-6800 • 1-800-344-8222 • Fax (215) 969-4890 • E-Mail: sales@howardmccray.com • www.howardmccray.com

60" HIGH ISLAND MERCHANDISER

STANDARD SPECIFICATIONS AND OPTIONAL FEATURES

STANDARD FEATURES

- Glossy Black Aluminum or Stainless Steel Exterior and Interior
- Laminated Top & Base
- LED Lighting Around the Top
- 3 Levels of Stainless Steel Shelving with LED Lighting
- Shelves are Adjustable in 1" Increments
- Price Tag Molding
- Removable Deck Pans for Easy Access
- Built in Product Stops at Deck Area
- All Steel Construction
- Heavy Duty Plexiglas Front Rail
- Foamed in Place with CFC Free Foam
- Heavy Duty Condensing Unit
- Self-contained - Refrigerant:
- Remote expansion valve - R448A
- Electric Condensate Pan, Separate Plug
- Electronically Controlled Refrigeration System
- Even Flo Air Discharge for Balanced Temperatures
- Standard Night Covers
- Optional Top Access Raceway (Electrical & refrigeration connections)
- Optional Laminates
- This Unit Is Only For Display
- Only Refrigerated Products (34°F To 38°F) Should Be Loaded Into This Unit
- Night Covers Should Be Used At Night & When Premises Is Closed.

TECHNICAL DATA

	SC-OD42I-5 R-OD42I-5	SC-OD42I-7 R-OD42I-7
Length	60"	84"
Width	42"	42"
Height (to display area)	27"	27"
Height (to top of tower)	60"	60"
HP	1-1/2 HP	1-3/4 HP
Refrigerant (SC)		
Refrigerant (R)	R448A	R448A
Volts	115/208-230	115/208-230
Volts Remote	115/208-230	115/208-230
Amps	15	16
Amps Remote	7	8
BTUs	11,200	13,200
Plug	NEMA L14-20P	NEMA L14-20P
Remote	Hardwire	Hardwire
Condensate Pan Amps	115V 12A	115V 12A
Estimate Weight	680 lbs	863 lbs

IMPORTANT NOTE:

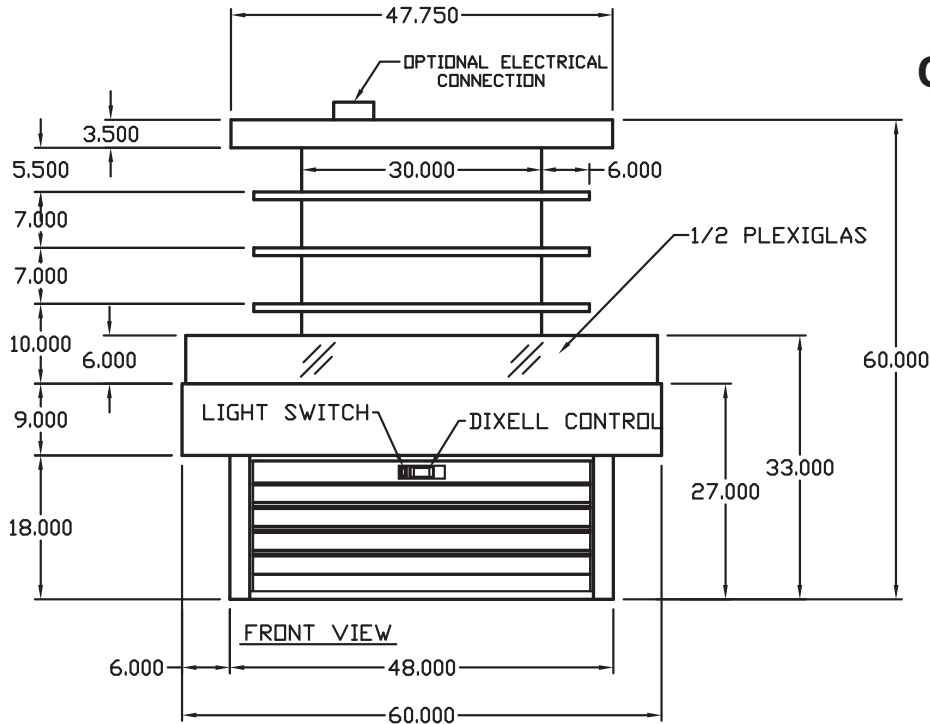
ALL REFRIGERATED CASES ARE DESIGNED TO OPERATE IN AN ENVIRONMENT OF 75 DEGREES AND 55% RELATIVE HUMIDITY.

PRODUCT MUST BE COOLED BEFORE BEING DISPLAYED WITHIN THE CASE.

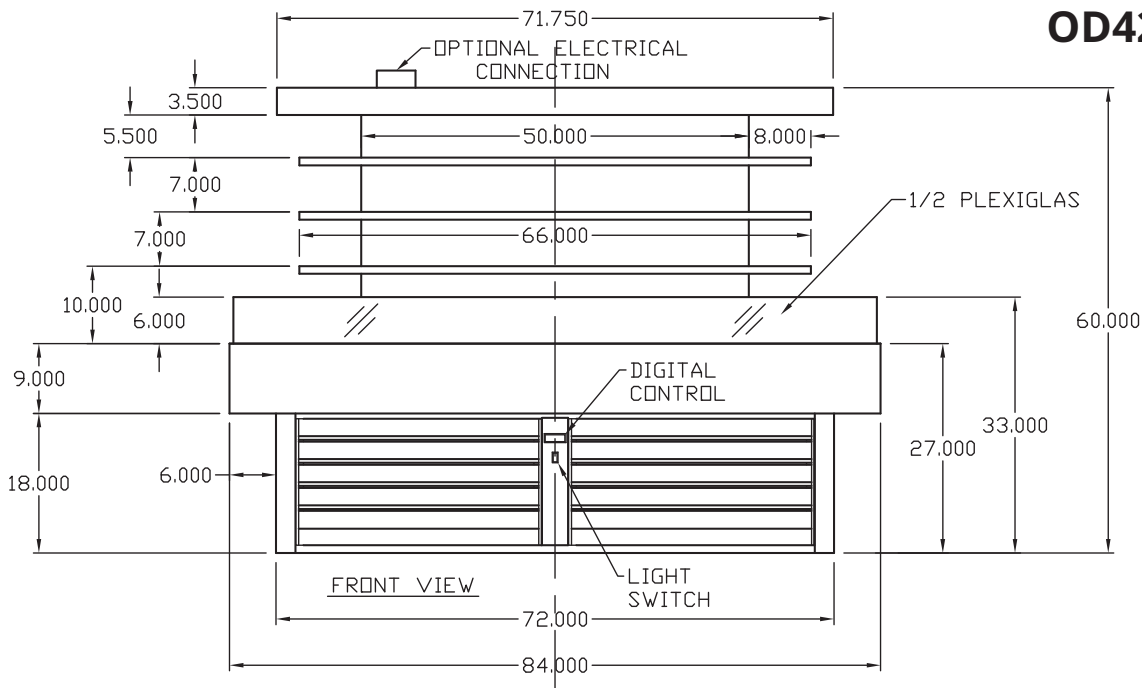
DRAIN IS REQUIRED

OD42I-5-LED, OD42I-7-LED - 60" HIGH ISLAND CASE

DRAWINGS - FRONT VIEW



OD42I-5-LED

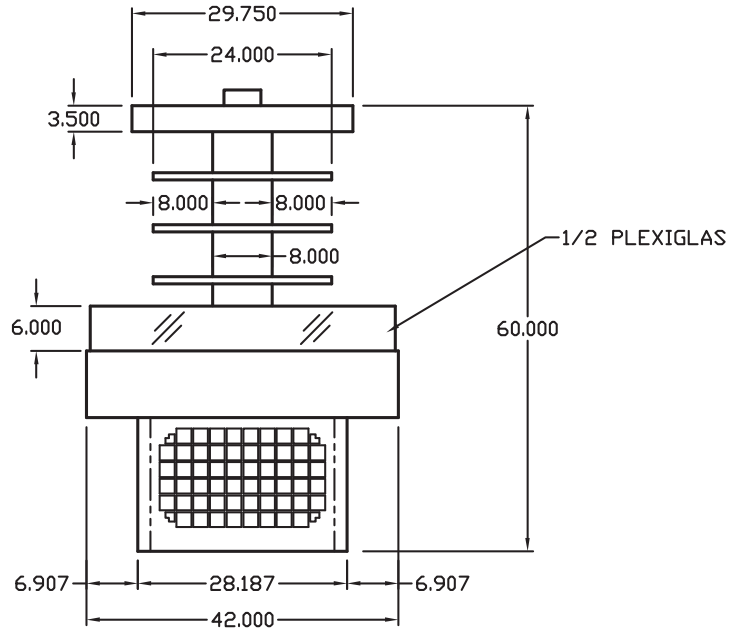


OD42I-7-LED

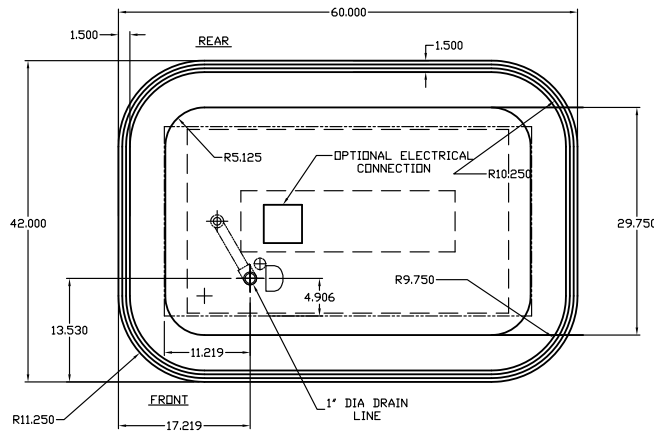
OD42I-5-LED, OD42I-7-LED - 60" HIGH ISLAND CASE

DRAWINGS - SIDE VIEW & PLAN VIEWS

SIDE VIEW



OD42I-5-LED



OD42I-7-LED

