

Sedona

Model #2832

Sedona 28in Tall Planter



DESCRIPTION

The Sedona Collection takes on the edginess that comes with a more urban décor style. Whether you are looking to inject a little industrial feel to your indoor/outdoor décor, or you live in the city and want to feel one with it - the Sedona planters might just be perfect for you!

- Double wall design with built-in water reservoir feature
- Removable fill port plug for direct access to water reservoir
- Hidden overflow drainage hole (optional plug for indoor use)
- Planter made from 100% high-grade polyethylene resin
- Warranty: 15-Yr Residential Use / 5-Yr Commercial Use

PRODUCT DIMENSIONS

Outside Dimensions: 16in DIA x 28in H (40.6cm x 71.1cm)

Inside Dimensions: 12.2in DIA x 12in D (31.1cm x 30.5cm)

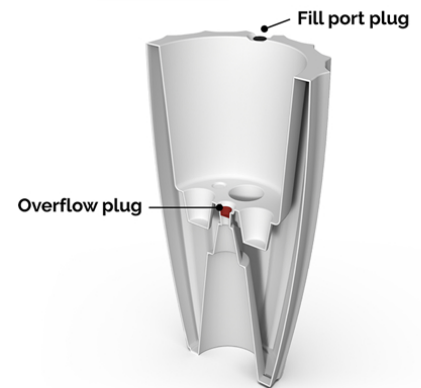
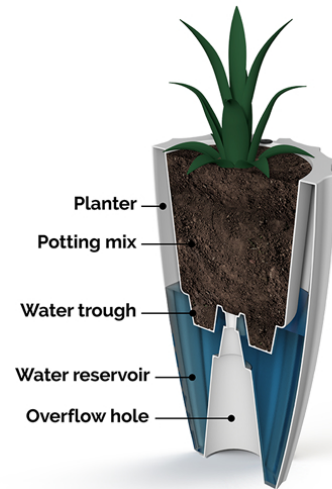
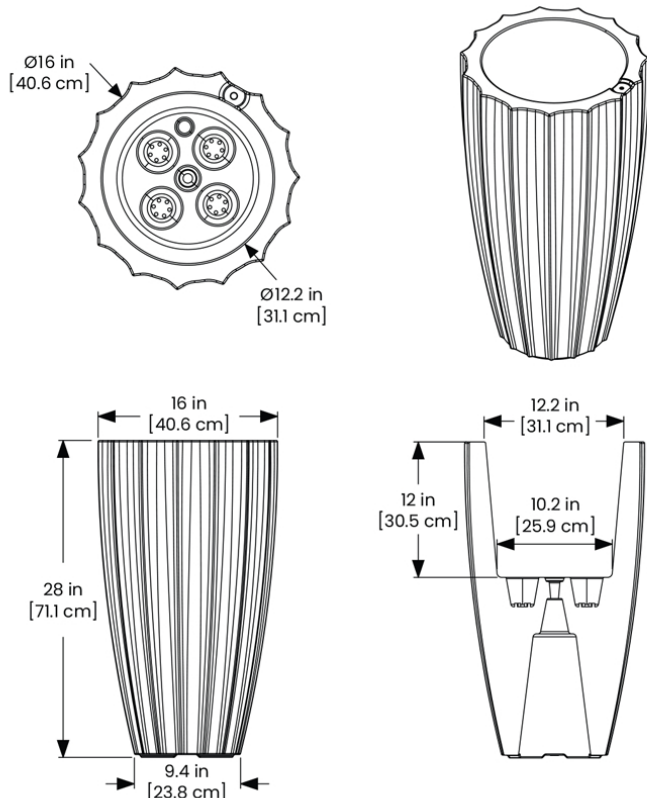
Soil Capacity: 5.1 Gal (19.3 Liters)

Water Reservoir Capacity: 6.6 Gal (25.2 Liters)

Wall Thickness: 0.125in (3.2mm)

Part Weight: 9lbs (4kg)

Material: Polyethylene



MAYNE®

Bring life to your home & garden

7024 Kilbourne Rd - Unit A

London, ON N6P 1K6

866-363-8834 | gomayne.com

customerservice@gomayne.com