



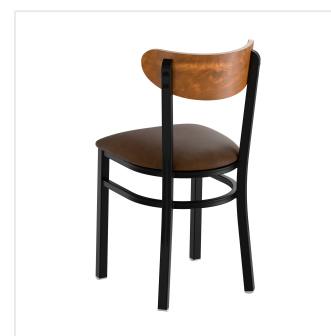
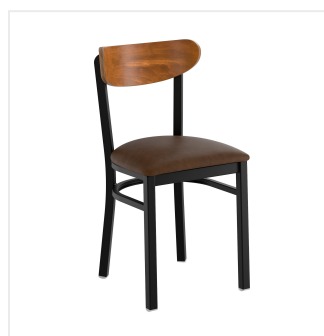
Lancaster Table & Seating Boomerang Black Finish Chair with Dark Brown Vinyl Seat and Vintage Wood Back - Unassembled

#164CBRBOVKD

Item #: 164CBRBOVKD Qty: _____

Project: _____

Approval: _____ Date: _____



Features

- Boomerang back is contoured for exceptional comfort
- Soft 2 1/2" thick dark brown vinyl padded cushion
- Durable steel frame with stain- and smudge-resistant black powder coated finish
- Light weight construction allows staff and customers to maneuver easily
- Ships unassembled to save on shipping costs

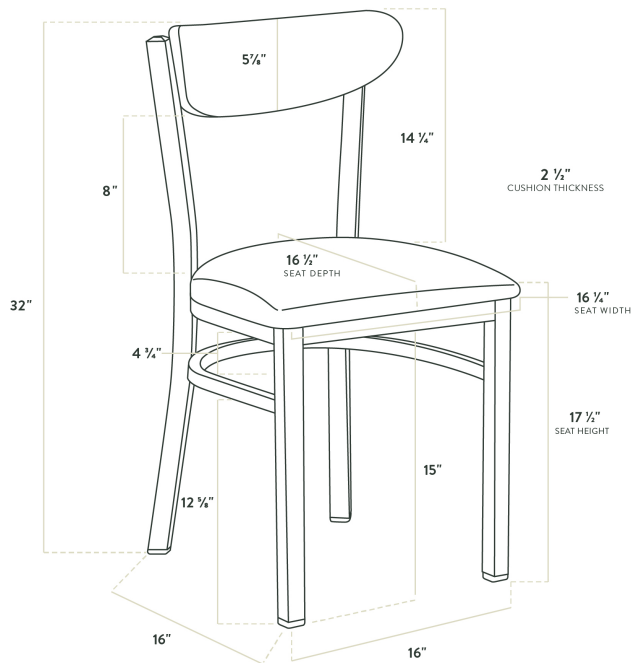
Technical Data

Width	16 1/4 Inches
Depth	16 1/2 Inches
Height	32 Inches
Seat Width	16 1/4 Inches
Seat Depth	16 1/2 Inches
Height Style	Standard Height
Seat Height	18 1/2 Inches
Arms	Without Arms
Assembly Options	Assembly Required
Back	With Back

Technical Data

Back Color	Brown
Back Material	Wood
Capacity	330 lb.
Design	Mid-Century
Finish	Powder-Coated
Frame Color	Black
Frame Material	Metal Powder-Coated Steel
Padded Seat	With Padded Seat
Product Line	Lancaster Table & Seating Boomerang
Seat Color	Brown
Seat Material	Vinyl
Seat Thickness	2 1/2 Inches
Seat Type	Solid
Style	Open Back
Type	Chairs
Usage	Indoor

Plan View



Notes & Details

Seat your guests in comfort and style with this Lancaster Table & Seating Boomerang black finish chair with 2 1/2" dark brown vinyl padded seat and vintage wood back. This chair's wooden Boomerang back and padded seat combine with its modern steel frame to instill a unique look in any location. Plus, since this chair's back is contoured for a customer's back, it will provide comfort while maintaining a distinct appearance.

This chair's sturdy steel frame provides unmatched durability in your commercial dining room. It can hold up to 330 lb. of weight thanks to the steel frame and supports under the seat. Additionally, the black finish on this chair ensures longevity through everyday wear and tear, resisting stains, scratches, and smudges. It also features an attractive vintage wood back that's contoured to provide extra support to your customers' upper backs. The 2 1/2" thick dark brown vinyl padded seat brings exceptional comfort and durability while remaining easy to clean. It is made with fire-retardant foam for ultimate safety!

This chair weighs less than 13 lb., making it easy for guests to get in and out and for your staff to rearrange when necessary. Each leg comes with an integrated glide to protect your floors from scuffing. To save you money, this chair ships with the seat and backrest detached, requiring light assembly by screwing in the seat and backrest to the frame. Its reliable and contemporary design ensures you'll be using this dining height chair in your restaurant, bar, or cafe for years to come.

⚠ WARNING: This product can expose you to chemicals including lead, which are known to the State of California to cause cancer and birth defects or other reproductive harm. For more information, go to www.p65warnings.ca.gov.