



JonTi-Craft® STEM Makerspace Table - 9517JC

Item: 9517JC



29" W x 48" D x 40" H

Ship Weight: 119 lbs

Warranty: 5 Years

Minimal Assembly

Made in United States



 **KYDZ Safe.**

 **KYDZ Strong**

 **KYDZ Tuff**

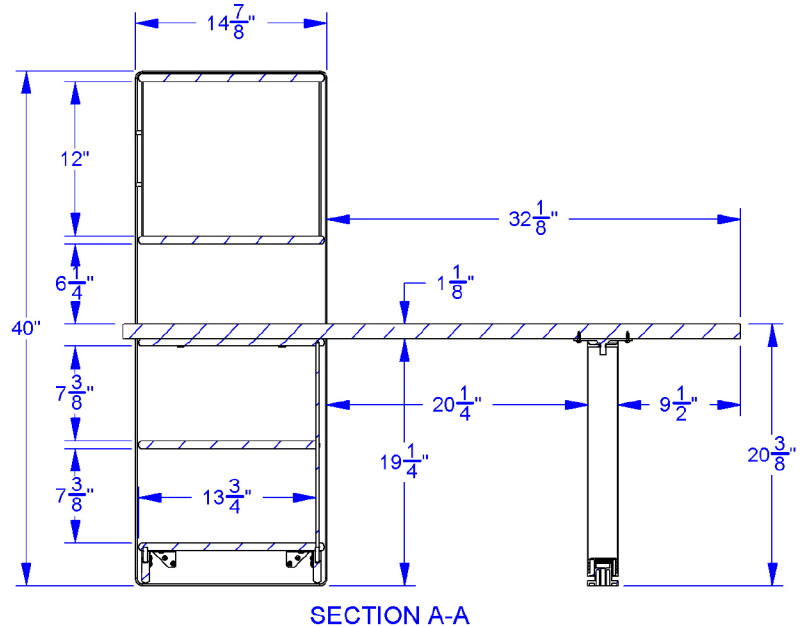
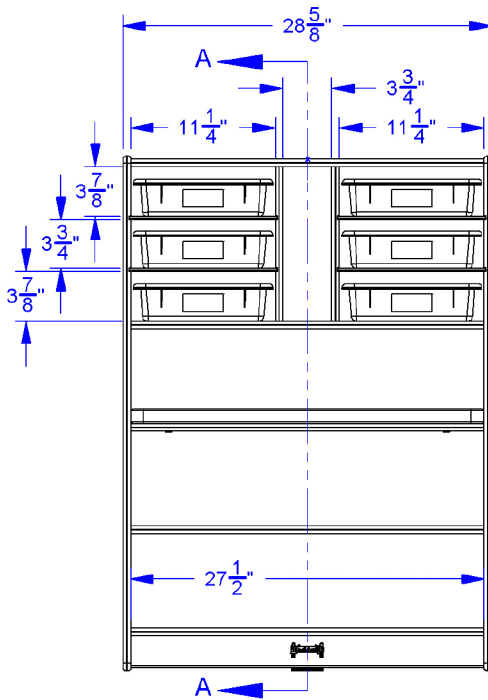
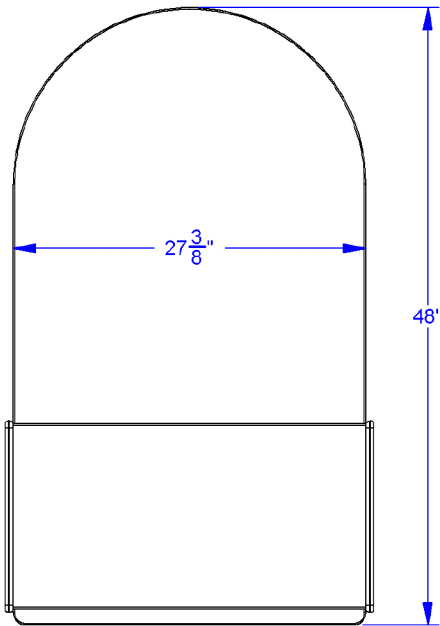
 **TRU Edge.**

This STEM Makerspace Table is a great addition to any child's space or educational STEM Area. The circular shape of the table encourages up to four children to collaborate on projects and the storage area above holds six included Paper-Trays. The shelves are removable to accommodate supplies of all sizes and the center section is just the right size for storing 3-ring binders. Additional straight-shelf lower storage can be rotated to face the front or the back of the unit, making it easy for educators to decide what works best for their space. Tabletop is 20.5" high. KYDZSafe® edges. KYDZStrong® construction. KYDZTuff® finish. TRUEdge®. Thermally Fused Laminate tabletops 1-1/8" thick. Stationary. GREENGUARD Gold certified. CARB II & CPSIA compliant.





Jonti-Craft® STEM Makerspace Table - 9517JC



Jonti-Craft Flagship Features Include:

KYDZSafe corners & edges are rounded to minimum of 1/2" radius. KYDZSafe kickplates prevent pinching & lost objects. KYDZSafe 15" depth adds increased stability & 25% more storage than competitor's 12" depth. KYDZStrong materials are guaranteed to last. KYDZStrong dowel-pin construction adds stability & strength. KYDZStrong Recessed backs give stability & structural integrity. KYDZTuff acrylic finish is ultra-long lasting and resists yellowing. The UV coating is environmentally friendly and easy to clean with an extra-strong resistance to daily wear and common cleaning products, like bleach and nail polish remover. TRUEdge is permanently thermo-fused to furniture, is moisture-resistant, and prevents germs from getting into the board. TRUEdge also comes in multiple colors.