



JonTi-Craft® Twin Activity Center - 7821JC

Item: 7821JC



49.5" W x 29" D x 48" H

Ship Weight: 137 lbs

Warranty: Lifetime

Minimal Assembly

Made in United States

 KYDZ Safe.

 KYDZ Tuff.

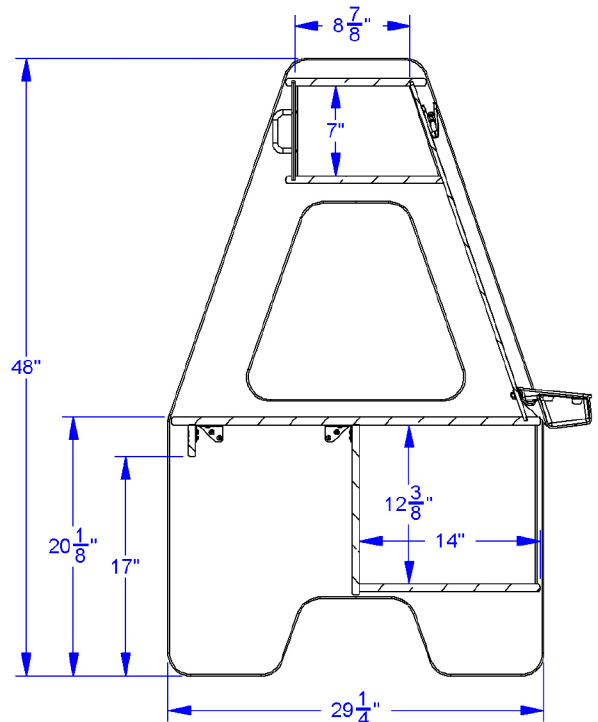
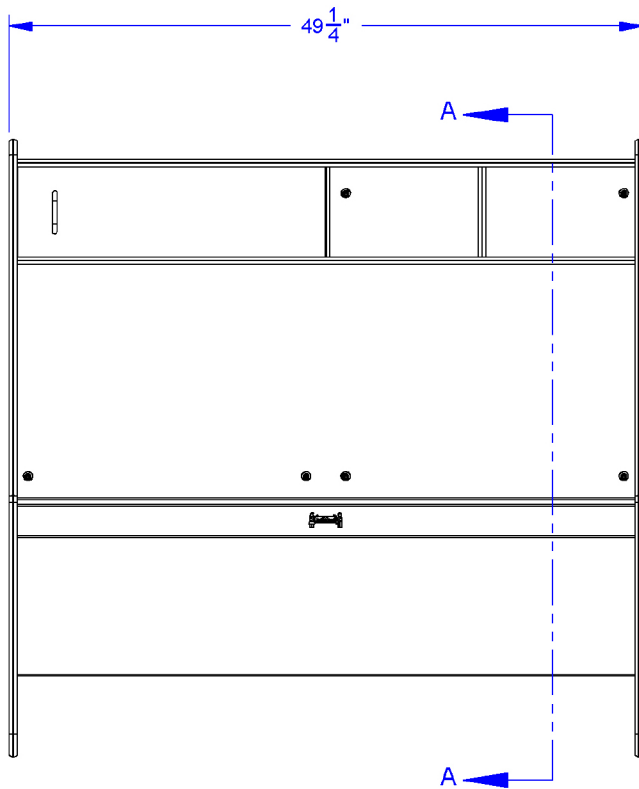
 KYDZ Strong.

Write-n-Wipe easel surface with paper clamps. E-Z to clean laminate desktop. Birch plywood construction. Easel panel options not available. E-Z to clean laminate desktop is 20" high. KYDZSafe® edges. KYDZTuff® finish. KYDZStrong® construction. Stationary.





JonTi-Craft® Twin Activity Center - 7821JC



SECTION A-A

JonTi-Craft Flagship Features Include:

KYDZSafe corners & edges are rounded to minimum of 1/2" radius. KYDZSafe kickplates prevent pinching & lost objects. KYDZSafe 15" depth adds increased stability & 25% more storage than competitor's 12" depth. KYDZTuff acrylic finish is ultra-long lasting and resists yellowing. The UV coating is environmentally friendly and easy to clean with an extra-strong resistance to daily wear and common cleaning products, like bleach and nail polish remover. KYDZStrong materials are guaranteed to last. KYDZStrong dowel-pin construction adds stability & strength. KYDZStrong Recessed backs give stability & structural integrity.