



Item #: 382CDPW3 Project: _____

Qty: _____ Date: _____ Approval: _____

Carnival King 3 Qt. Triple Cone Dip Warmer - 120V, 300W

Item #382CDPW3

Technical Data

Width	21 5/8 Inches
Depth	9 1/4 Inches
Height	8 1/3 Inches
Power Cord Length	55 1/8 Inches
Phase	1 Phase
Voltage	120 Volts
Wattage	300 Watts
Application	All-Purpose
Capacity	9 qt.
Color	Silver



Features

- Infinite control adjusts from low to high (max 165F)
- Stainless steel with a stay-open hinged lid and top flange to hold container in place
- 120V, 300W
- Includes (3) 3 qt. wells
- Perfect for dipping ice cream cones, fruit, pretzels, and other treats for added flavor

Certifications



5-15P

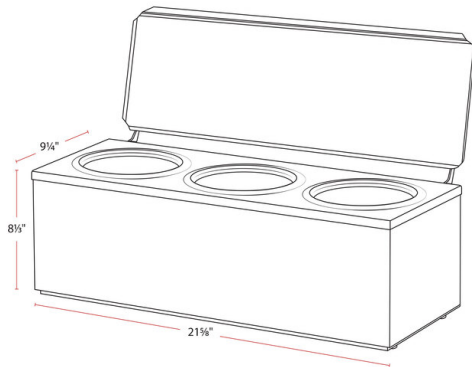


ETL Listed

Technical Data

Cover Type	Hinged
Dispenser Type	Cone Dip Warmer
Installation Type	Countertop
Material	Stainless Steel
Maximum Temperature	165 Degrees F
Number of Compartments	3 Compartments
Plug Type	NEMA 5-15P
Power Type	Electric
Style	Warmer
Temperature Settings	Adjustable Infinite
Type	Warmers

Plan View



Notes & Details

Enhance your dessert menu and increase your margins by dipping ice cream cones, fruit, and other treats with this Carnival King 3 qt. triple cone dip warmer. This unit holds a compatible inset (sold separately) or #10 can of sauce for easy dipping. Just remove the top panel, place the container inside, and replace the top. A flange holds the container in place and helps prevent product from dropping into the warmer. For easy access, lift the hinged lid and prop it open. It will stay open for mess-free dipping and then close to prevent contamination in between uses.

To warm caramel, chocolate sauce, or fruity flavoring, an adjustable infinite knob controls the heating element. The infinite control ranges between ambient temperatures and 165 degrees Fahrenheit so you can warm sauces at the proper temperatures. Perfect for a variety of venues, this cone dip warmer helps expand your dessert menu and offer limited time flavor and toppings! Rotate the sauce of the day, or highlight a flavor as part of a seasonal promotion in your ice cream parlor, restaurant back-of-house, food truck, or concession stand. The warmer includes (6) vinyl flavor decal stickers. Built for convenience, the top and bottom are removable for easy cleaning. A 120V, 300W electrical connection is required for operation.