



ITEM #: _____ QTY: _____
 MODEL #: _____
 PROJECT NAME: _____

102819

3601 S. Banker St. Effingham, IL 62401 • P.O. BOX 609 • Ph: (888) 431-2667 • Fax: (800) 433-2667

"CUFC-M1830" FORMAGGIO CART

FEATURES:

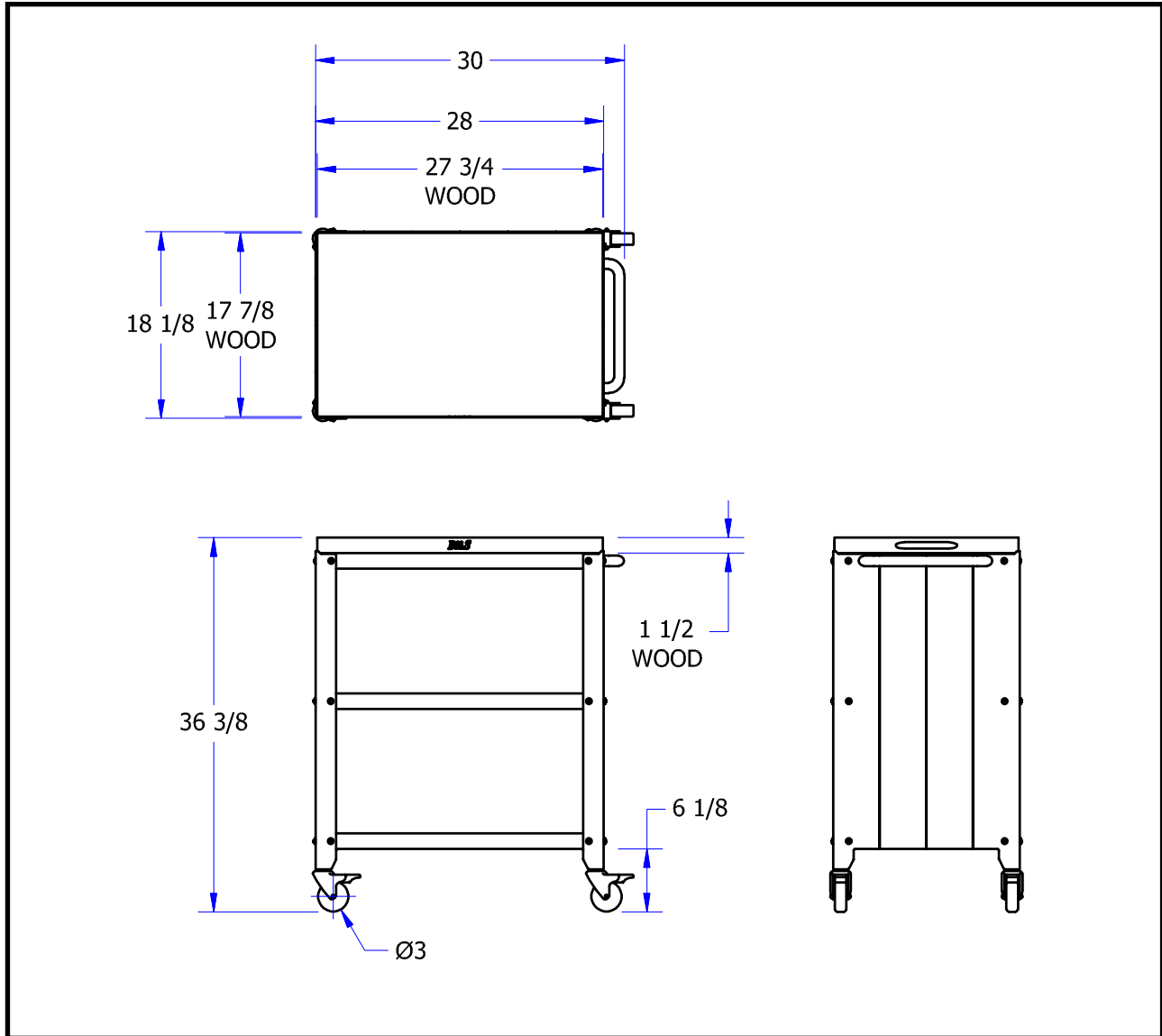
- AVAILABLE WITH ANTIMICROBIAL NORTHERN HARD ROCK MAPLE, EDGE GRAIN TOP STANDARD BOOS BLOCK CREAM FINISH WITH BEESWAX
- FOOD SERVICE GRADE STAINLESS STEEL BASE AND TWO PERFORATED SHELVES
- STAINLESS STEEL TOWEL BAR
- COMMERCIAL GRADE 3" LOCKING CASTERS



FORMAGGIO CART

MODEL #	QTY
CUFC-M1830	

DETAILED SPECIFICATIONS



FORMAGGIO CART

MODEL #	SIZE	TOP	HEIGHT	WEIGHT (LBS)
CUFC-M1830	28" X 18-1/8"	MAPLE	36-3/8"	102

SOME UNITS SHIP UNASSEMBLED FOR REDUCED SHIPPING COST. ALL DIMENSIONS ARE TYPICAL. TOLERANCE +/- .500"
 John Boos & Co. is constantly engaged in a program of improving products and therefore reserves the right to change specifications without prior notice.



Boos
lock

AQ AutoQuotes

3601 S. Banker St. • Effingham, IL 62401 • PO BOX 609 • quotes@johnboos.com

www.johnboos.com

102519

43