



**Aspirations™ Skirted Two-Piece  
Chair Height Elongated Toilet with Seat**

- 252AA899**
  - Vitreous china
  - Meets definition for HET (High Efficiency Toilet)
  - High efficiency (4.8 Lpf/1.28 gpf)
  - Meets EPA WaterSense® criteria
  - 305mm (12") rough-in
  - 16-1/2" rim height for accessible applications
  - EverClean® surface inhibits the growth of stain- and odor-causing bacteria, mold, and mildew on the surface
  - Elongated siphon action jetted bowl with smooth-sided, concealed trapway
  - Generous 9" x 8" water surface area
  - PowerWash® rim scrubs bowl with each flush
  - 3" flush valve
  - Chrome trip lever included (Matte Black and Brushed Nickel option)
  - Includes top mounting, slow-close seat and cover with easy lift-off feature
  - 2 color-matched bolt hole covers
  - Lifetime warranty on chinaware, 10 year warranty on all mechanical parts, and 1 year warranty on seat
  - Obtains best 1,000g MaP Score\*\* at 1.28 gpf
  - Design coordinates with Aspirations suite
- 252AA898** Same as above except with trip lever on right hand side
- 3419A100** Chair Height Elongated Bowl with Seat
- 4448A809** Tank
- 4448A808** Tank with right hand trip lever
- 5036A65G** Elongated Luxury Seat included with Bowl

**Nominal Dimensions:**

30-3/16" x 14-11/16" x 30-11/16"  
(766 x 373 x 779 mm)

Fixture and toilet seat only, supply by others

**Compliance Certifications -**

**Meets or Exceeds the Following Specifications:**

- ASME A112.19.2/CSA B45.1-08 for Vitreous China Fixtures
- US EPA WaterSense® Specification for HETs



SEE REVERSE FOR ROUGHING-IN DIMENSIONS

**To Be Specified:**

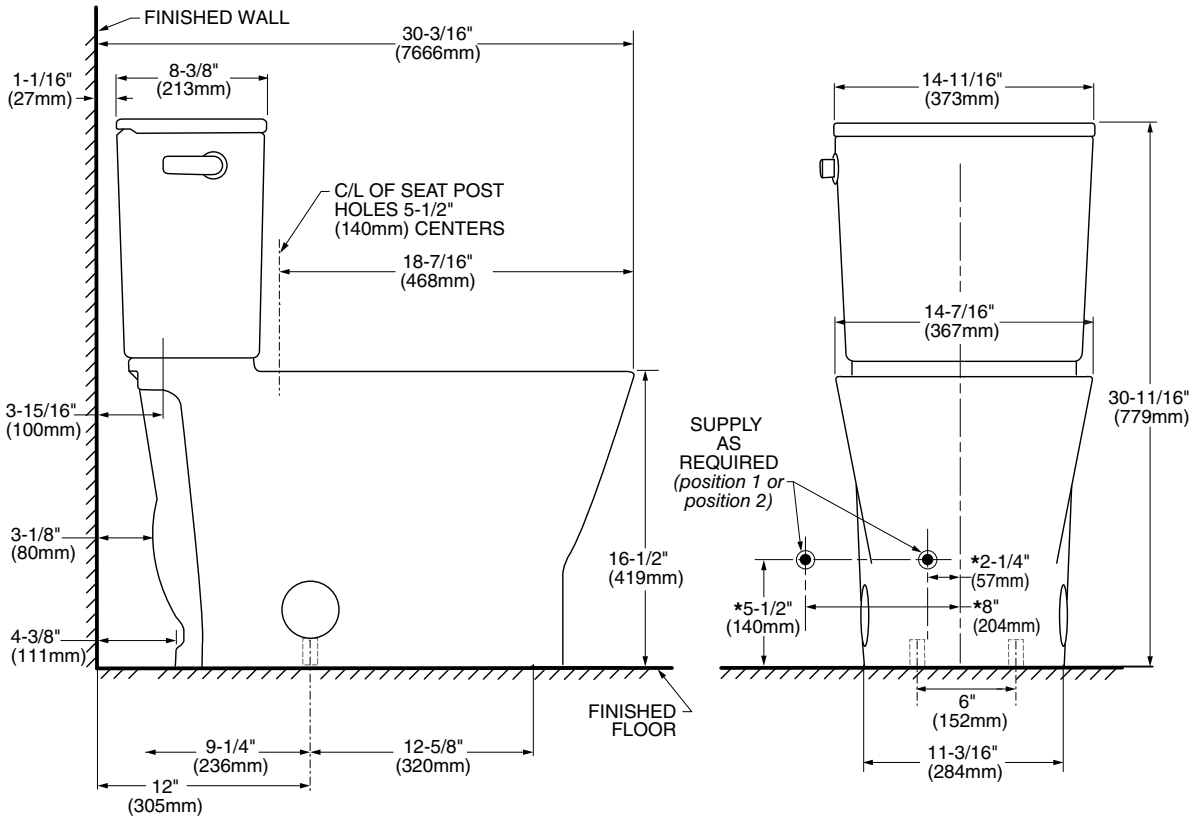
- Color:  White
- Supply with stop:



MEETS THE AMERICANS WITH DISABILITIES ACT GUIDELINES  
AND ICC ANSI A117.1 REQUIREMENTS FOR ACCESSIBLE AND  
USABLE BUILDING FACILITIES-CHECK LOCAL CODES.

\*\* Maximum Performance (MaP) testing performed by  
IAPMO R&T Lab. MaP Report conducted by Gauley  
Associates Ltd. and Koeller and Company.





**NOTES:**

THIS COMBINATION IS DESIGNED TO ROUGH-IN AT A MINIMUM DIMENSION OF 305MM (12") FROM FINISHED WALL TO C/L OF OUTLET.  
 \* DIMENSIONS SHOWN FOR LOCATION OF SUPPLY ARE SUGGESTED.  
 SUPPLY NOT INCLUDED WITH FIXTURE AND MUST BE ORDERED SEPARATELY.

**IMPORTANT:** Dimensions of fixtures are nominal and may vary within the range of tolerance established by ANSI Standard A112.19.2. These measurements are subject to change or cancellation. No responsibility is assumed for use of superseded or voided pages.