

844.100.050 S SOCKET PLUG

-Diameter: Ø50mm
-Stainless steel: AISI316L/EN1.4404

Product Codes


EAN: 5705499411393
VVS Number: 160264350
RSK Number: 1550351
NRF Number: 2171164
LVI Number: 0253237

Specification

Material: AISI 316L
Material (EN): EN 1.4404
Minimum Height (mm): 31
Outlet dia. (mm): 50
Outlet Diameter (Inch): 2
Weight (kg): 0.16
Weight (lbs): 0.35


Approvals


 AUS - WMKT00204 - 24

 DK - VA 2.12/19349 EuroPipe DS432

 HACCP Food Safety Programme - Australasia

 HACCP Food Safety Programme - Europe

 NO - 0692-22 EuroPipe

 US - IAPMO File No.3247-EuroPipe

ABS - LD1716353-PDA

Achilles Certificate - 46702-22

Bureau Veritas, 02375-I0 Pipes & Fittings

DNV - TAP0000023-rev4, Sanitary discharge pipes

KR - Type Approval CPH42135-PE001

Lloyds Register LR22419510TA

MARINE - R4547 NATO CODIFICATION SYSTEM

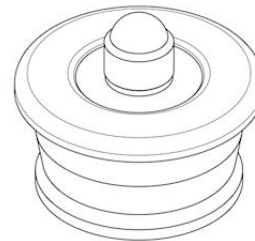
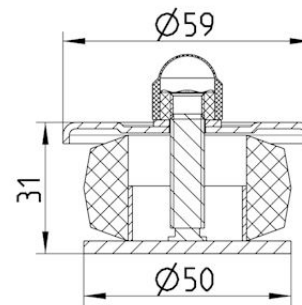
PL - Hygienic Certificate - All Products

RINA -MAC285119XG EuroPipe

RS - 22.10018.262 BLÜCHER EuroPipe and Fittings Type approval

RU - 0212322 Pipes-21

UR - 1055745 Product approval, EuroPipe and Drains



BLÜCHER®