

Engineering Specification

Job Name _____	Contractor _____
Job Location _____	Approval _____
Engineer _____	Contractor's P.O. No. _____
Approval _____	Representative _____

TCA-411 Floor Mounted Concealed Arm "Track" Lavatory Carrier



Specification

Watts TCA-411 epoxy coated floor mounted concealed arm track lavatory carrier with heavy gauge steel offset uprights with welded feet, steel cross plate with integral mounting brackets, sliding adjustable arm brackets, and adjustable cast iron concealed arms with leveling screws, and basin locking device. Carrier complies with requirements of ASME A112.6.1M up to a 250 lb (113 kg) static load.

Call customer service if you need assistance with technical details.

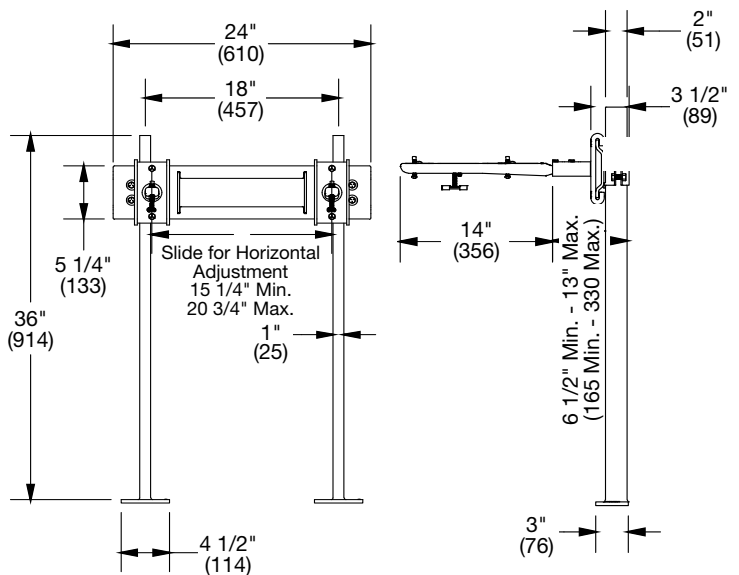
Options	
Suffix	Description
-M42	42" Long Carrier Leg <input type="checkbox"/>
-M54	2" Chrome Plated Escutcheons <input type="checkbox"/>
-M55	4" Chrome Plated Escutcheons <input type="checkbox"/>
-WLA	Waste Line Access <input type="checkbox"/>

NOTICE

Anchor legs to concrete floor with minimum 1/2"(13) anchor bolts (by others).

NOTICE

The information contained herein is not intended to replace the full product installation and safety information available or the experience of a trained product installer. You are required to thoroughly read all installation instructions and product safety information before beginning the installation of this product.



Watts product specifications in U.S. customary units and metric are approximate and are provided for reference only. For precise measurements, please contact Watts Technical Service. Watts reserves the right to change or modify product design, construction, specifications, or materials without prior notice and without incurring any obligation to make such changes and modifications on Watts products previously or subsequently sold.



USA: T: (800) 338-2581 • Watts.com
 Canada: T: (888) 208-8927 • Watts.ca
 Latin America: T: (52) 55-4122-0138 • Watts.com

