

4560NP

Front-Breathing Self-Contained Flat Top Freezer Bases

4560NP Flat Top Freezer Bases

Models

- 4560NP Single Section with Doors
- D4560NP Single Section with Drawers
- ST4560NP Single Section with Doors with Backsplash
- STD4560NP Single Section with Drawers with Backsplash



4560NP

Standard Features

- All 4500 Series units are 100% front breathing, which allows the unit to be pushed against a wall or built into a cabinet, or an existing lineup.
- Durable, rugged stainless-steel sides, top and front
- Features Delfield's exclusive ABS interior (on sides). ABS is extremely durable – it won't dent, chip or corrode and is backed by a limited lifetime warranty.
- "D" prefix models feature Delfield's new drawer system. Drawers are backed by a lifetime warranty on the track assembly.
- Bent in full length handle on doors and drawers.
- Standard on 5" casters for easy cleaning and installation
- One wire shelf standard, installed per door section.
- ACT solid state electronic control
- Environmentally friendly R290 refrigerant
- High density foamed in place, environmentally friendly, Kyoto Protocol Compliant, Non ODP (Ozone Depletion Potential), Non GWP (Global Warming Potential) polyurethane keeps energy costs low.
- 10' cord and plug supplied
- Three-year parts and labor warranty and a seven-year compressor parts warranty

Options & Accessories

- 18" wide single tier overshelf
- Stainless steel finish on back
- Cutting Boards (Composite or Poly)
- Plastic laminate on front
- Additional wire shelves
- Door lock
- Exterior thermometer (some models excluded)
- LED Lights (door units only)
- Lower height casters

Specifications

Exterior top is one-piece, 22-gauge stainless steel with integral 2.12" (5.4cm) square nosing on the front. ST and STD models have standard backsplash, full width and 4" (10cm) tall.

Exterior back and bottom are two-piece 24-gauge galvanized steel. Exterior ends are stainless steel.

Interior sides are thermoformed ABS plastic with integral shelf supports. Base is fully insulated with high density foamed in place, environmentally friendly, Kyoto Protocol Compliant, Non ODP (Ozone Depletion Potential), Non GWP (Global Warming Potential) polyurethane.

Refrigeration system uses environmentally friendly R290 refrigerant. Condenser coil and hot gas condensate evaporator mounted on rear of cabinet. Evaporator coil is located on the interior rear wall of cabinet. Refrigerant flow is controlled by an expansion valve for even air and temperature control. Cabinet maintains an interior temperature of 0°F to 5°F (-18°C to -21°C).

ACT control: ACT electronic, solid-state control, mounted on the exterior rear of the cabinet, allows unit to maintain precise temperatures in heavy duty conditions.

Electrical connection is 115 volt, 60 Hertz, single phase. Unit has a 10' (3m) long electrical cord and NEMA 5-15 plug.

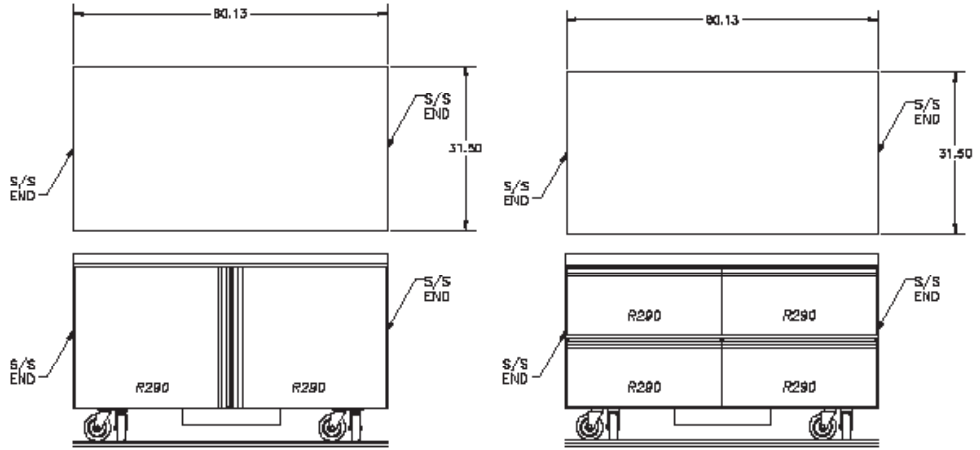
Casters: Equipment is mounted on 5" (13cm) diameter plate casters with front two locking brakes. Equipment clearance above the floor is 2.5" (6cm).

Doors have a 22-gauge stainless steel exterior, with thermoformed ABS plastic interior liner. Cabinet has one adjustable wire shelf.

Drawers have a 22-gauge stainless steel exterior, with thermoformed ABS plastic interior liner. Drawer frames are 12-gauge stainless steel. Drawer slides are 11-gauge stainless steel with Delrin bearings. Top drawer holds one full size 12" x 20", 4"-6" (30.5cm x 50.8cm x 10.2cm) deep pan, and three 1/6 size pans. Bottom drawer holds one full size 12" x 20" and three 1/6 size, 4" deep pans. Pans are supplied by others. (Drawer not available on 48" models at this time).

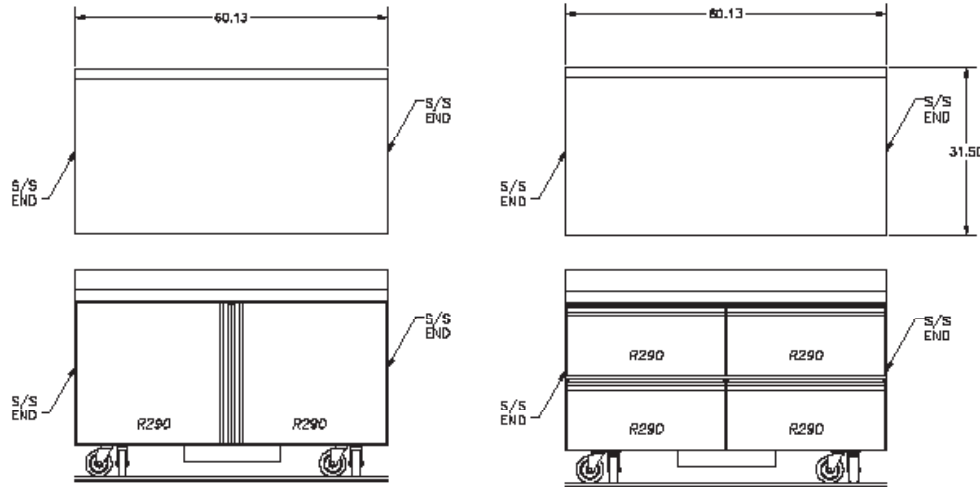


R290



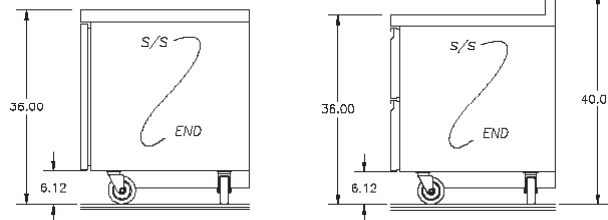
Model: 4560NP

Model: D4560NP



Model: ST4560NP

Model: STD4560NP



Specifications

Model	# of Shelves	Shelf Area	Storage Volume	h.p.	V/Hz/Ph	Amps	nema plug	Ship Weight
4560NP	2	7.19ft ²	17.63ft ³	0.45	115/60/1	5.7	5-15P	411lbs/168kg
D4560NP	N/A	N/A	17.77ft ³	0.45	115/60/1	5.7	5-15P	495lbs/225kg
ST4560NP	2	7.19ft ²	17.63ft ³	0.45	115/60/1	5.7	5-15P	411lbs/168kg
STD4560NP	N/A	N/A	17.77ft ³	0.45	115/60/1	5.7	5-15P	495lbs/225kg

Welbilt reserves the right to make changes to the design or specifications without prior notice.