



T&S BRASS AND BRONZE WORKS, INC.

2 Saddleback Cove / P.O. Box 1088
Travelers Rest, SC 29690

Model No.

SL-5700-08CRWH4

Item No.

Travelers Rest, SC: 800-476-4103 • Simi Valley, CA: 800-423-0150 • Fax: 864-834-3518 • www.tsbrass.com

EVERSTEEL



ADA Compliant

This Space for Architect/Engineer Approval

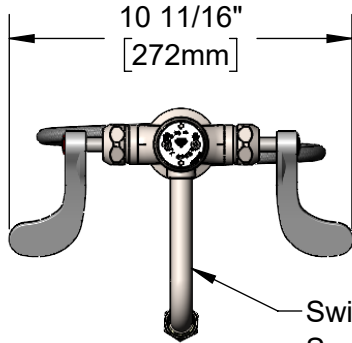
Job Name _____ Date _____

Model Specified _____ Quantity _____

Customer/Wholesaler _____

Contractor _____

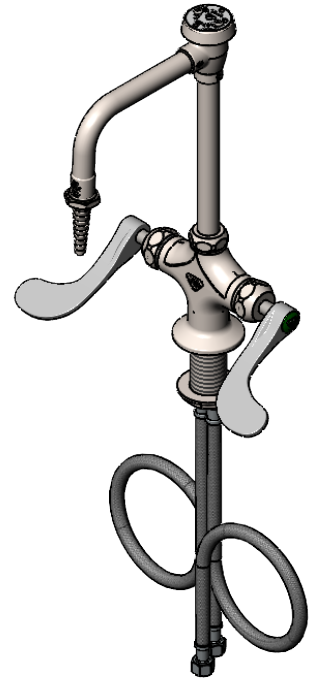
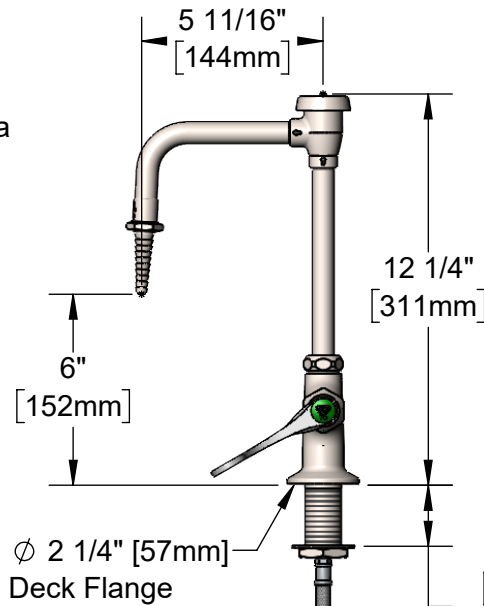
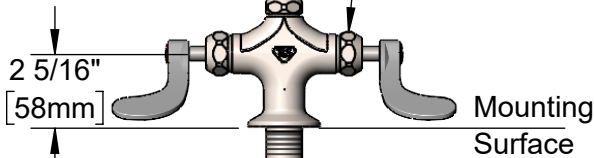
Architect/Engineer _____



Swivel Vacuum Breaker Nozzle w/
Serrated Tip Outlet & 0.5 GPM Flow
Control. Converts to Rigid w/ 014200-45
Lock Washer (Included).

S-0968
3/8" NPT
Vacuum Breaker

Stainless Steel
Quarter-Turn Cerama
Cartridges w/ Check
Valves & Stainless
Steel 4" Wrist Action
Handles w/ Color
Coded Indexes



12 1/4"
[311mm]

1 7/8"
[48mm]
Maximum
Thickness

(2) 19" Flexible
Stainless Steel Tin
Lined Supply Hoses
w/ 3/8" Compression
Fittings

Rough-In Requirement:

Ø 1 1/2" [38mm] Mounting Hole

Product Specifications:

Single Hole Stainless Steel Deck Mount Mixing Faucet, Quarter-Turn Cerama Cartridges w/ Check Valves, 4" Wrist Action Handles, Swivel Vacuum Breaker Nozzle, Serrated Tip w/ 0.5 GPM Flow Control & 19" Flexible Stainless Steel Tin Lined Braided Supply Hoses

Product Compliance:

ASME A112.18.1 / CSA B125.1
NSF 61 Exempt (Non-Potable)
NSF 372 (Low Lead Content)
ANSI A117.1 (ADA)
ASSE 1001 (VB)



T&S BRASS AND BRONZE WORKS, INC.

2 Saddleback Cove / P.O. Box 1088
Travelers Rest, SC 29690

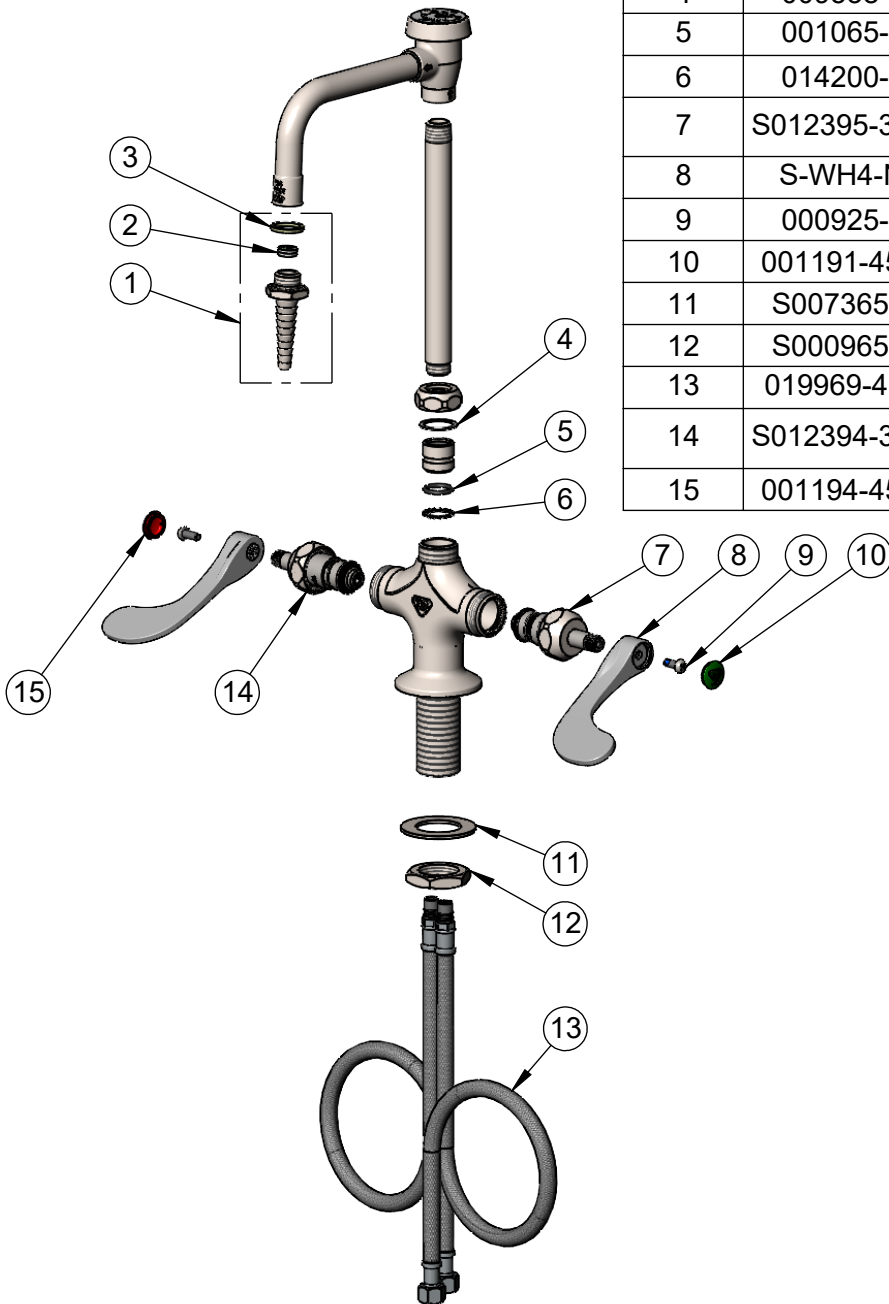
Model No.

SL-5700-08CRWH4

Item No.

Travelers Rest, SC: 800-476-4103 • Simi Valley, CA: 800-423-0150 • Fax: 864-834-3518 • www.tsbrass.com

ITEM NO.	SALES NO.	DESCRIPTION
1	S-0198-FD05	Stainless Steel Serrated Tip w/ 0.5 GPM Flow Disc & Washer
2	FD05	Flow Disc, 0.5 GPM [1.9 L/min.] (Lime)
3	001051-45	Washer
4	009538-45	Swivel Washer
5	001065-45	O-Ring
6	014200-45	Star Washer, Anti-Rotation
7	S012395-30NS	Stainless Steel Quarter-Turn Cerama Cartridge w/ Check Valve, LTC
8	S-WH4-NS	Wrist Action Handle - New Style
9	000925-45	Lab Handle Screw
10	001191-45NS	Green "CW" Lab Button Index
11	S007365-20	Lock Washer
12	S000965-20	Lock Nut
13	019969-45TL	19" Flexible Supply Hose (2), Tin Lined
14	S012394-30NS	Stainless Steel Quarter-Turn Cerama Cartridge w/ Check Valve, RTC
15	001194-45NS	Red "HW" Lab Button Index



Product Specifications:

Single Hole Stainless Steel Deck Mount Mixing Faucet, Quarter-Turn Cerama Cartridges w/ Check Valves, 4" Wrist Action Handles, Swivel Vacuum Breaker Nozzle, Serrated Tip w/ 0.5 GPM Flow Control & 19" Flexible Stainless Steel Tin Lined Braided Supply Hoses

Product Compliance:

ASME A112.18.1 / CSA B125.1
NSF 61 Exempt (Non-Potable)
NSF 372 (Low Lead Content)
ANSI A117.1 (ADA)
ASSE 1001 (VB)