



T&S BRASS AND BRONZE WORKS, INC.
 2 SADDLEBACK COVE / P.O. BOX 1088 / TRAVELERS REST, SC 29690
 PHONE 800-476-4103 FAX 864- 834-3518



Model No.

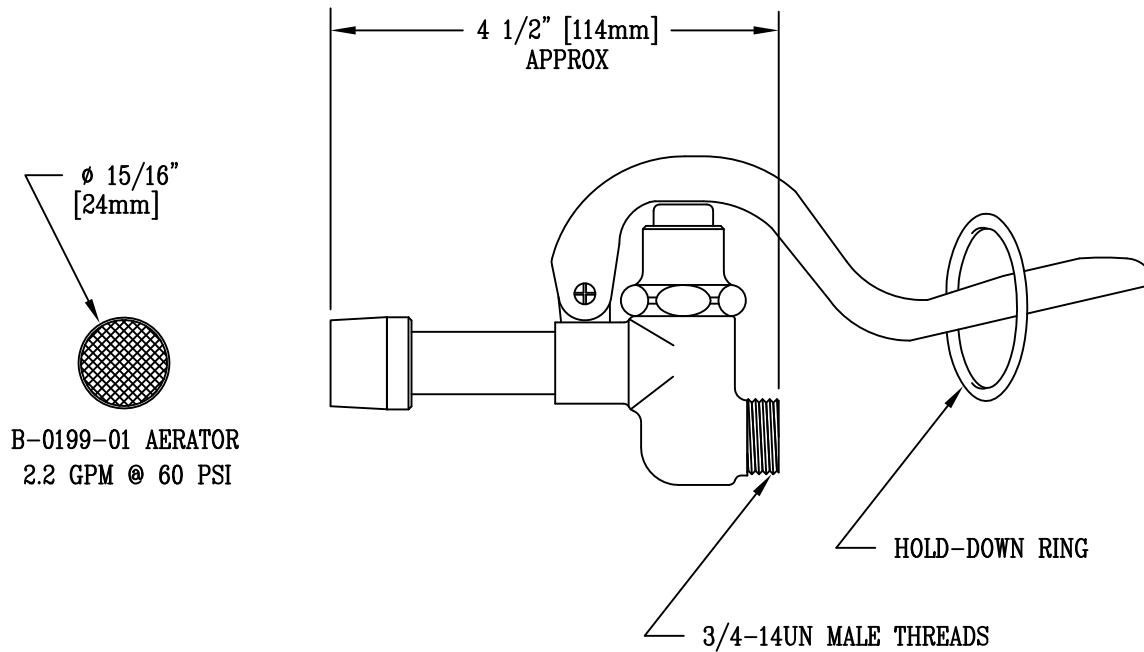
B-0107-A

Item No.:

Job Name:

Architect/Engineer Approval:

Notes:



Product Description:
 FILLER VALVE UNIT:
 NON-SPLASH 2.2 GPM AERATOR
 (NOT RATED FOR COMMERCIAL WAREWASHING)

Drawn:

MCW

Checked

MW

Scale:

6"=1'

Approved

CA

Date:

10/12/95