



# QuietQube® RNS-1078C Remote Nugget Ice Machine

## Models

RNS-1078C



RNS-1078C Remote Nugget Ice Machine - 115V



RCU Condensing Unit - 208-230V



RNS-1078C Remote Nugget Ice Machine on B-570 Bin

## Standard Features

QuietQube® Series Remote System consists of a remote condensing unit, interconnecting refrigerant lines, ice machine head section, ice deflector, and ice storage unit— whether storage bin, countertop or floor-standing dispenser. All ordered separately. QuietQube ice machine with RCU condensing unit is designed as a Manitowoc system and not for use with any other ice machine or remote condenser brand.

- Bite sized nugget with 90% ice content offers one of the best ice to water ratios for maximum cooling and minimal drink dilution
- Up to 1,131 lbs. (513 kg) of daily ice production
- Perfect for beverage applications, dispensing, smoothies, and cold therapy
- Can be paired with any 30" Servend beverage dispenser for an unbeatable soft-drink experience
- Continuous production offers quieter operation with no noisy harvest cycles
- Stainless steel exterior has a clean and modern look to enhance the display in any self-serve environment
- Evaporator is designed for maximum quality and operating life

COMMERCIAL WARRANTY		
ICE MAKER		COMPRESSOR
<b>3</b>	<b>2</b>	<b>5</b>
YEAR	YEAR	YEAR PARTS
PARTS	LABOR	2 YEAR LABOR

## Ice Shape

Nugget ice consists of small pieces ranging from 3/8" to 1/2" in width and length. Offers a 90% ice to water ratio with a soft, chewable texture while still providing maximum cooling and great dispensibility.

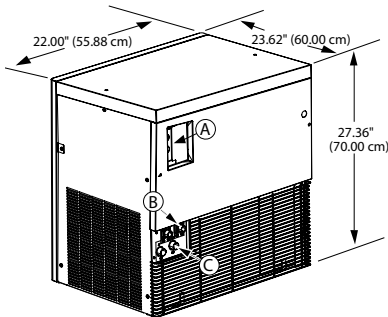


Ice shown actual size





### RNS-1078C Ice Machine



Shipping Weight: 195 lbs. / 88 kgs.

- (A) 3/8" F.P.T. Ice Making Water Inlet
- (B) Refrigerant Lines
- (C) Electrical Entrance
- (D) 3/4" M.P.T. Drain Fitting

**Dispenser Note** - Verify with the dispenser manufacturer that the correct agitator and deflector kit for nugget ice dispensing is included with your dispenser purchase.

### Ice Machine Electric

115/60/1 standard  
208-230/60/1 also available.

**Minimum Circuit Ampacity: 2.9**

**Max. fuse size: 15 amps**  
The ice machine and condensing unit are powered independently of each other.

### Specifications

**Refrigerant: R404A**

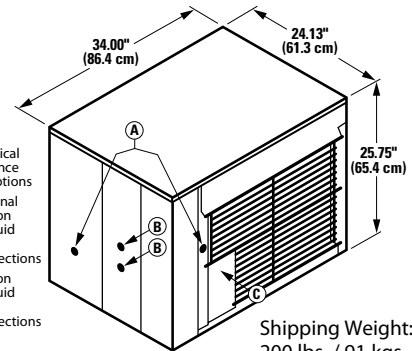
#### Operating Limits:

- Ambient Temperature Range: 50°-100°F (14.4°-37.8°C)
- Water Temperature Range: 45°-90°F (7.2°-32.2°C)
- Water Pressure Ice Maker Water In: Min. 20 psi (137.9 kPa) Max. 70 psi (483 kPa)

### Standard Interconnecting Tubing

Model	Line Length		Weight	
	ft.	m.	lbs.	kgs
RC-21	20	6	12	5
RC-31	30	9	20	9
RC-51	50	15	28	13

### RCU-1098 Condensing Unit



Shipping Weight: 200 lbs. / 91 kgs.

### Condensing Unit Electric

**208-230/60/1 standard.** 208-230/60/3 also available. **Note:** QuietQube ice machine is wired independent of condensing unit.

**Min. circuit ampacity:** 15 1ph    15 3ph

**Max. fuse size:** 15 1ph    15 3ph

**BTU Per Hour:** 7,500 (average)  
14,000 (peak)

**Compressor:** Nominal rating: 1.75 HP

#### Operating Limits:

Ambient Temperature Range:  
-20° to 120°F (-29° to 49°C)

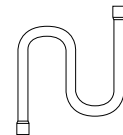
#### Installation Information and Dimensions:

Maximum Line Length—100' (30.5 m)\*

Maximum Vertical Rise\*—35' (10.7 m) above ice machine.

Maximum Vertical Drop—15' (4.5 m) below ice machine.

\*A rise over 20' (6 m) requires S-Trap Kit K-00172 - ordered separately



### Remote Air-cooled Ice Machine

Model	Ice Shape	Ice Production 24 Hours		Power Usage 90°Air/ 70°F Water 32°Air/21°C Water	Potable Water Usage/ 100 lbs. 45.4 kgs. of Ice	ENERGY STAR®
		70°Air/ 50°F Water 21°Air/10°C Water	90°Air/ 70°F Water 32°Air/21°C Water			
RNS-1078C	Nugget	1131 lbs.	900 lbs.	4.50	12 Gal. 45.4 L	★
		513 kgs	408 kgs			

Order ice storage bin separately. Will not accept AuCS accessory.