



Wesco Industrial Products, Inc.

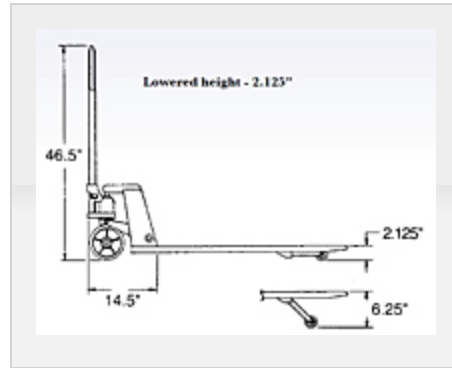
1250 Welsh Rd

North Wales, PA 19454

Phone: 800.445.5681 • **Fax:** 800.346.5511

Email: info@wescomfg.com

Part No. 278136, CPII Lowboy Pallet Truck



- **3 year pump warranty.**
- Many features are the same as CPII.
- Lowered height of 2.125".
- 7" wide forks.
- 7" moldon polyurethane steering wheels.
- 2" steel load wheels.

Specifications

Part Number	278136
Fork Dimension	21" x 36"
Capacity	4400 lb
Steering Wheel	(2) 7" Moldon Polyurethane
Load Wheel	(2) 2" Steel
Width Forks	7"
W1	21"
L1	36"
W2	7"
L2	51"
WHL1	7"
WHL2	2"
H1	46.5"
H2	2.125"
H3	6.25"
Lowered Height	2.125"
Weight	226 lb