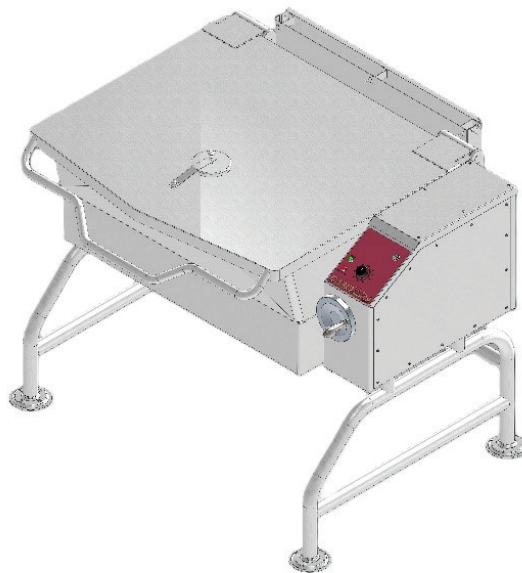




IMPORTANT FOR FUTURE REFERENCE Please complete this information and retain this manual for the life of the equipment:
Model #: _____
Serial #: _____
Date Purchased: _____

Installation & Operation Manual

Gas Tilting Skillet SKG-30-SB, SKG-40-SB, SKG-30-PT-SB, & SKG-40-PT-SB



Model SKG-40-SB

WARNING

Improper installation, adjustment, alteration, service or maintenance can cause property damage, injury or death. Read the installation, operating and maintenance instructions thoroughly before installing or servicing this equipment.

SOUTHBEND STEAM

 **MIDDLEBY** A Middleby Company




1100 Old Honeycutt Road Fuquay-Varina, North Carolina 27526 USA

www.southbendnc.com

SAFETY PRECAUTIONS

Before installing and operating this equipment, be sure everyone involved in its operation is fully trained and aware of precautions. Accidents and problems can be caused by failure to follow fundamental rules and precautions.

The following symbols, found throughout this manual, alert you to potentially dangerous conditions to the operator, service personnel, or to the equipment.

 DANGER	This symbol warns of immediate hazards that will result in severe injury or death.
 WARNING	This symbol refers to a potential hazard or unsafe practice that could result in injury or death.
 CAUTION	This symbol refers to a potential hazard or unsafe practice that could result in injury, product damage, or property damage.
NOTICE	This symbol refers to information that needs special attention or must be fully understood, even though not dangerous.

IMPORTANT NOTES FOR INSTALLATION AND OPERATION

WARNING

This is the safety alert symbol. It is used to alert you to potential personal injury hazards. Obey all safety messages that follow this symbol to avoid possible injury or death.

WARNING

FOR YOUR SAFETY:

Do not store or use gasoline or other flammable vapors or liquids in the vicinity of this or any other appliance.

WARNING

Improper installation, operation, adjustment, alteration, service or maintenance can cause property damage, injury or death. Read the installation, operating and maintenance instructions thoroughly before installing, operating or servicing this equipment.

NOTICE

This product is intended for commercial use only. NOT FOR HOUSEHOLD USE.

NOTICE

This manual should be retained for future reference.

PURCHASER: Instructions to be followed in the event the operator of this appliance smells gas must be posted in a prominent location. This information shall be obtained by consulting the local gas supplier.

Keep the appliance area free and clear from combustibles.

DO NOT obstruct the flow of combustion and ventilation air.

Adequate clearances **MUST** be maintained for servicing and proper operation.

Contact the factory, the factory representative or a local service company to perform maintenance and repairs should the appliance malfunction. Refer to warranty terms.

RETAIN THIS MANUAL FOR FUTURE REFERENCE.

Table of Contents

Important Notes For Installation and Operation	2
1.0 Service Connections	5
2.0 Installation Instructions	8
3.0 Operation Instructions	11
4.0 Test Kitchen Bulletin.....	13
5.0 Maintenance and Troubleshooting.....	14

SUMMARY OF SAFETY NOTES

The following general safety notices supplement the specific warnings and cautions contained in this technical manual. They are recommended precautions that must be understood and adhered to during the installation, operation, and maintenance of these electrically operated appliances

 **WARNING**

FOR YOUR SAFETY:

Be sure to wash inside of skillet pan, inside of cover including under drip-lip, and pouring spout area.

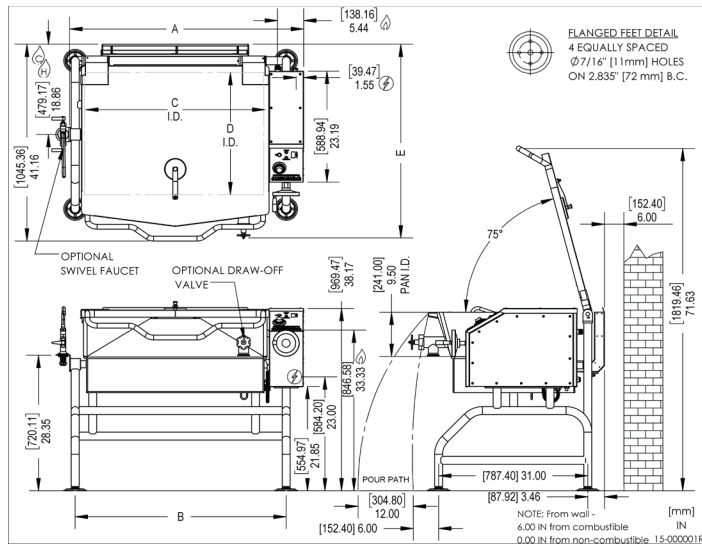
 **CAUTION**

Do not install in such a manner that the service person cannot remove the access panel.

Supply wires must be suitable for temperature of at least 90 °C. Additionally, all wiring must conform to the requirements of local and national electric codes. Conduit and fittings should be watertight type.

Unit is equipped with a limit switch that shuts off gas to the burners when skillet pan is more than 10° above normal horizontal cooking position.

SERVICE CONNECTIONS



SERVICE CONNECTIONS

- GAS CONNECTION: Supplied through 3/4" NPT Pipe. A gas shut-off valve must be installed in supply piping convenient and adjacent to appliance
- ELECTRICAL CONNECTION: 120V Units supplied with 8' cord with 3 prong plug. Total Amps: 3A (220V & 208/240V options available).
- COLD WATER: 3/8" O.D. tubing to optional faucet. (OPTIONAL)
- HOT WATER: 3/8" O.D. tubing to optional faucet. (OPTIONAL)
- DRAIN: 1 1/2" - 11 1/2 NPT (OPTIONAL) - not shown here

DIMENSIONS

MODEL	CAPACITY	UNITS	A	B	C	D	E	
							Ø2	Ø3
SKG-30-SB	30 Gallons (114 liters)	inches mm	38.64" (981 mm)	33.84" (860 mm)	27.88" (708 mm)	25.54" (649 mm)	38.25" (972 mm)	42.75" (1086 mm)
SKG-40-SB	40 Gallons (152 liters)	inches mm	48.62" (1235 mm)	43.84" (1114 mm)	37.88" (962 mm)	25.54" (649 mm)	38.25" (972 mm)	42.75" (1086 mm)

GAS CHARACTERISTICS

MODEL	GAS SUPPLY		SUPPLY PIPE PRESSURE (W.C.)	
	BTU/HR	kW/HR.	Natural	Propane
SKG-30-SB	110,000	32.2	7" - 14" (178 mm - 356 mm)	11" - 14" (279 mm - 356 mm)
SKG-40-SB	156,000	45.7		

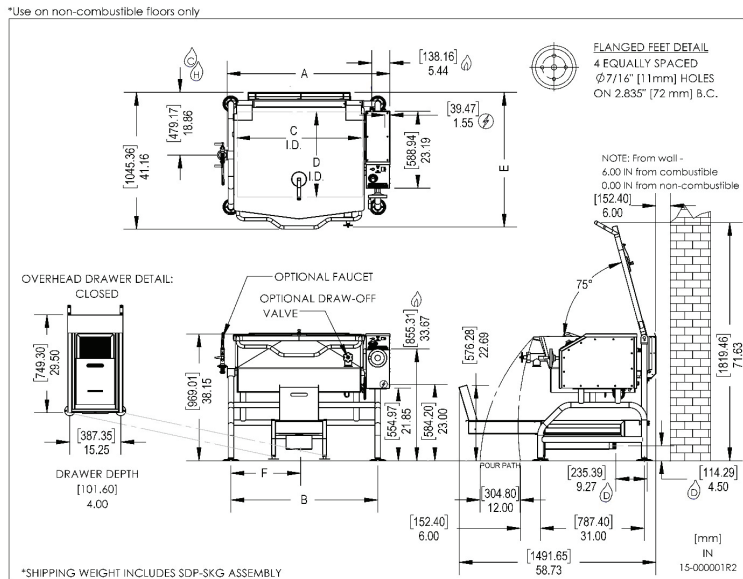
* For use on non-combustible floors only.

SPECIFICATIONS

MODEL	CAPACITY		SHIPPING WEIGHT	MINIMUM CLEARANCE *	
	GALLON	LITER		Sides	Back
SKG-30-SB	30	114	360 lbs. [163 kg]	Sides	0
SKG-40-SB	40	152	450 lbs. [204 kg]	Back	6" (152 mm)

As continued product improvement is a policy of Southbend, specifications are subject to change without notice.

SERVICE CONNECTIONS



SERVICE CONNECTIONS

- GAS CONNECTION: Supplied through 3/4" NPT Pipe. A gas shut-off valve must be installed in supply piping convenient and adjacent to appliance
- ELECTRICAL CONNECTION: 120V Units supplied with 8' cord with 3 prong plug. Total Amps: 3A (220V & 208/240V options available).
- COLD WATER: 3/8" O.D. tubing to optional faucet. (OPTIONAL)
- HOT WATER: 3/8" O.D. tubing to optional faucet. (OPTIONAL)
- DRAIN: 1 1/2" - 1 1/2 NPT (OPTIONAL)

DIMENSIONS

MODEL	CAPACITY	UNITS	A	B	C	D	E		F
							Ø2	Ø3	
SKG-30-SB	30 Gallons (114 liters)	inches mm	38.64" (981 mm)	33.84" (860 mm)	27.88" (708 mm)	25.54" (649 mm)	38.25" (972 mm)	42.75" (1086 mm)	16.92" (429 mm)
SKG-40-SB	40 Gallons (152 liters)	inches mm	48.62" (1235 mm)	43.84" (1114 mm)	37.88" (962 mm)	25.54" (649 mm)	38.25" (972 mm)	42.75" (1086 mm)	21.92" (556 mm)

GAS CHARACTERISTICS

MODEL	GAS SUPPLY		SUPPLY PIPE PRESSURE (W.C.)	
	BTU/HR	kW/HR.	Natural 7" - 14" (178 mm - 356 mm)	Propane 11" - 14" (279 mm - 356 mm)
SKG-30-SB	110,000	32.2		
SKG-40-SB	156,000	45.7		

* For use on non-combustible floors only.

SPECIFICATIONS

MODEL	CAPACITY		SHIPPING WEIGHT	MINIMUM CLEARANCE *	
	GALLON	LITER		Sides	Back
SKG-30-SB	30	114	400 lbs. [181 kg]	Sides	0
SKG-40-SB	40	152	490 lbs. [222 kg]	Back	6" (152 mm)

As continued product improvement is a policy of Southbend, specifications are subject to change without notice.

 **CAUTION**
Be sure to read.

- Keep this appliance area free and clear of combustibles.
- Do not obstruct the flow of combustion and ventilation air.
- Allow adequate ventilation to unit. Install under exhaust hood.
- Keep this manual for future reference.
- This installation must conform with local codes or, in the absence of local codes, with National Fuel Gas Code, ANSI Z223.1 – latest edition; or the Natural Gas Installation Code, CAN/CGA-B149.1; or the Propane Installation Code, CAN/CGA-B149.2, as applicable.
- The skillet and its individual shutoff valve must be disconnected from the gas supply piping system during any pressure testing of that system at test pressure in excess of 1/2 Psi (3.45 kPa).
- The skillet must be isolated from the gas supply system by closing its individual manual shutoff valve during any pressure testing of the gas supply piping system at test pressures equal to or less than 1/2 Psi (3.45 kPa).

 **WARNING**

Disconnect the power supply to the appliance before cleaning or servicing.

- This unit is serviceable from the front. Do not install in such a manner that a service person cannot remove top panel of the console. Be aware that the components and wires are attached to the bottom of the panel.
- When installed, this appliance must be electrically grounded in accordance with local codes, or, in the absence of local codes, with the National Electric Code, ANSI/NFPA No. 70 – latest edition.
- In Canada, this installation must conform to C.S.A. Standard C22.2 Canadian Electrical Code.
- The wiring diagram adhesive label is located on the inside of the right console's panel.
- The product must be installed in a room with adequate air supply for complete gas combustion.
- Do not place on or directly against the unit any objects that would block air openings into the combustion chamber.
- Suitable for use on combustible floors.
- Clearances from both combustible and noncombustible construction are 0" (0 mm) from side walls, 6" (152.4 mm) from rear wall.

2.0 INSTALLATION INSTRUCTIONS

GENERAL INSTALLATION

1. Remove carton from skid, being careful not to dent or scratch finished surfaces of unit.
2. Inspect unit carefully for shipping damage. File claim with carrier immediately if damage is found.
3. Remove screws holding unit to skid.
4. Transfer unit to desired position and make level and steady by adjusting feet to compensate for floor irregularities. Bolt the flange feet to floor.
5. Raise skillet cover to full open position. Check to make sure burners and carryover tube are in position and securely seated.
6. Lower skillet by turning hand crank, until fully seated on frame. Skillet is equipped with limit switch, which does not permit burners to ignite until skillet is lowered to less than 10° off normal horizontal cooking position.
7. Gas service connections:
 - a. This unit is factory-adjusted for gas consumption of 110,000 BTU/Hour (on 30-gallon unit) or 156,000 BTU/Hour (on 40-gallon unit) at the pressure indicated. Please read the rating plate on the back side of the console. If this plate is marked for a different gas than that supplied, notify your dealer immediately.

 **WARNING**

DO NO CONNECT GAS LINES. Only a qualified installer or service man should make the installation.

- b. Use new 3/4 I.P.S. iron or steel pipe complying with ANSI Standard for Wrought-Steel and Wrought-Iron Pipe B36 – latest edition, properly threaded, reamed, and free from chips, oil, and dirt. If pipe dope is used, apply a moderate amount, leaving two end threads bare. Gas connection is on the rear of the right console.
- c. Natural gas units are equipped with a pressure regulator factory-adjusted to give 3.5" (89 mm) water column manifold pressure. The supply pressure must be at least 7" (178 mm) water column pressure.
- d. Propane gas units are equipped with a pressure regulator factory-adjusted to give 10.5" (266.7 mm) water column manifold pressure for 30-gallon unit and 6" (152.4 mm) water column manifold pressure for 40-gallon unit. The supply pressure must be at least 11" (279 mm) water column pressure.
- e. Maximum supply pressure must not exceed 1/2 Psi (3.45 kPa) for both natural and propane gas.
- f. Perform a gas leak test of all newly-made joints, as well as those leading to the main gas control valve and pilot burner, using a soap solution. Do not use flame.

 **WARNING**

Never use an open flame to check for gas leaks. Check all connections for leaks using soapy water before use.

INSTALLATION WITH CASTERS

1. Installation shall be made with a connector that complies with the Standard for Connectors for Moveable Gas Appliances, ANSI Z21.69, CSA-6.16, and a quick-disconnect device that complies with the Standard for Quick-Disconnect Devices for Use with Gas Fuel, ANSI Z21.41 or the Standard for Quick-Disconnect Devices for Use with Gas Fuel, CSA-6.9.
2. Adequate means must be provided to limit the movement of the appliance without depending on the connector and the quick-disconnect device or its associated piping to limit the appliance movement.

 **WARNING**

For an appliance equipped with casters, the installation shall be made with an adequate flexible electrical conduit; adequate means must be provided to limit the movement of the appliance without depending on or transmitting stress to the electrical conduit; the location where're straining means may be attached is to the rear of the stand, below power supply connection.

BEFORE USE

Using a non-corrosive, grease-dissolving commercial cleaner, clean the protective metal oils from all surface parts and the interior of the tilting braising pan. Follow the cleaner manufacturer's directions. Rinse thoroughly and drain the pan. Wipe dry with a soft clean cloth.

START-UP PROCEDURE

1. Open manual gas shutoff valve.
2. Ensure that the braising pan is in the DOWN position.
3. Push the power switch to ON position. Turn THERMOSTAT dial to desired setting. The red TEMPERATURE LIGHT will come on. This will turn on the electronic ignition which will light the burners.
4. If the green IGNITION LIGHT does not come on after 35 seconds, it means that the gas module is not supplying power to the gas valve. So, push the power button to OFF and then ON again for restart.
5. When braising pan has reached set temperature, the red TEMPERATURE LIGHT will go off and the burners will shut off. The burners will cycle on and off thereafter to maintain set temperature. The red TEMPERATURE LIGHT will be on when the burners are on and off when burners are off.
6. If gas supply is interrupted during operation, push the power switch to the OFF position and turn gas supply OFF. Wait five minutes, then repeat Steps 1 through 4 to restart.
7. Push power switch to OFF position when braising pan is not in use.

SHUTDOWN INSTRUCTIONS

Push the power switch to OFF position and close the manual gas shutoff valve.

3.0 OPERATION INSTRUCTIONS

The SKG Models SKG-30-SB (110,000 BTU input) and SKG-40-SB (156,000 BTU input) are electrically operated skillets, tilting type, with 30-and 40-gallon capacities, respectively. They are equipped with a solid state thermostat and high-limit control with a 60°F to 450°F temperature scale.

BASIC FUNCTIONS

The SKG Tilting Skillet is a very versatile cooking appliance. It can perform basic cooking functions, such as braising meat, sautéing, pan-frying chicken, steaming vegetables, boiling, and simmering.

OPERATION OF SKG TILTING SKILLET WITH ELECTRONIC IGNITION

1. Check to see that the correct gas and electric connection has been made to the unit.
2. Be sure skillet has been or is cleaned before using.
3. Be certain skillet is lowered to the normal horizontal cooking position so burners will light.
4. Push the power switch to ON position and set the thermostat to the desired temperature.
5. Preheat to desired setting before grilling, pan frying, or any other type of cooking except boiling.

Note: For best results, allow unit to cycle ON/OFF once.

6. Cover should be up for most types of cooking, except simmering or boiling. The cover has a lip at the rear that will direct condensate into the skillet rather than onto the cabinet base.
7. When food is cooked, it should be immediately removed from skillet to prevent overcooking.
8. To tilt the skillet in manual models use the hand crank and for "PT" models use the switch on top of the console.
 - a. To use the manual override feature in PT models, take the hand crank shaft of the clips from the bottom of the right console.
 - b. Take off the plug from the front shaft hole of the console.
 - c. Push the handle through the hole and engage the male-female connection of the hand crank shaft and gearbox shaft. Then start tilting.
9. For cleaning instructions, see Section 5—Maintenance and troubleshooting

 **CAUTION**
Be sure to read.

- Disconnect the power supply to skillet before cleaning or servicing. (Note: “PT” models should have the skillet raised to washing position before disconnecting power supply.)
- Keep this appliance area free and clear of combustibles.
- Do not obstruct the flow of combustion and ventilation air.
- If skillet pan is difficult to raise, the lift gears may need to be lubricated. The gears are located inside the right console. Apply a liberal amount of grease along the helical thread of the worm where it engages the worm gear. Use multi-purpose, NLGI #2 lithium-based, water-resistant grease.
- Keep this manual for future reference.
- Consult the factory, the factory representative, or a local service company to perform maintenance and repairs.
- In the event of a power failure, do not operate appliance.
- Periodically examine the flue outlet located behind the skillet cover for any obstructions.
- Appliances with casters are always to be restrained from movement. If removal of the restraint is necessary, always reconnect the restraint when the appliance is returned to its originally installed position.

4.0 TEST KITCHEN BULLETIN

Cooking Facts on Parade

1. The SKG Skillet is one of the most versatile pieces of equipment to be found in any restaurant or institutional kitchen.
2. This unit will stew, simmer, pan-fry, braise, grill, and sauté – and all with a very uniform heat pattern.
3. For best results, the Tilting Skillet should always be preheated and allowed to cycle once.
4. A great deal of heavy lifting and transferring of foods from one pan to another can be eliminated, and, therefore, pot washing will be reduced.
5. This type of equipment usually reduces the total cooking time by as much as 25% on combination dishes.
6. Sauces usually lose less moisture, as the cover reduces evaporation.
7. Large batches of gourmet items can be prepared with less work and with more uniform results.
8. Frozen vegetables can be cooked in the SKG Skillet in the serving pan, then removed and transferred directly to the serving line.
9. The following temperatures should be used:

Simmering:	Maximum of 200°F
Sautéing:	225 - 275°F
Searing:	300 - 350°F
Frying:	325 - 375°F
Grilling:	350 - 425°F
10. Temperatures of approximately 200°F should always be used for milk-based products, or scorching will take place. Lower temperatures (150 - 175°F) prevent thickening.
11. Some items should be started at a high temperature and then reduced. This permit sealing for about 20% of the time and cooking for the remaining 80%.
12. The cover has a lip at the back edge that directs the condensate on the cover back into the skillet.
13. The stainless steel SKG Skillet is rapidly cleaned with a mild detergent. Water, waste, and scraps are easily removed into the receiving pan for disposal. (It is always recommended that this type of unit be pre-soaked if possible.)
14. Breakfast foods such as sausage, bacon, pancakes, fried eggs, scrambled eggs, and French toast are a few of the more common items that can be cooked in the SKG Skillet.
15. When cooking meat or poultry, all pieces should be of fairly uniform size and weight and should be turned at least once while simmering.
16. This unit can be converted to a proof box by placing a small amount of water in the pan to form steam and then placing the food in another pan. The thermostat should be set very low (100 - 150°F).
17. The unit can also be used as a holding cabinet by adding water and settling the thermostat at approximately 175°F.
18. When using water over and over for vegetable cookery, be sure to add water occasionally to keep level at about 3 - 4 inches. Thermostat should be set at 250°F.
19. Perforated 2 ½" - deep pans are suggested for vegetables for the most satisfactory results. The pan can then be removed easily and transferred to the serving line.

5.0 MAINTENANCE AND TROUBLESHOOTING

CLEANING

After each use, allow the tilting braising pan to cool and clean it. Keep exposed cleanable areas of the tilting braising pan clean at all times.

 **CAUTION**

Disconnect the power supply to the appliance before cleaning or servicing.

1. The skillet should be cleaned daily.
2. Wash the skillet with a mild detergent and hot water. If food is stuck to the surface of the skillet pan, soak it and use a little heat to loosen the food. Then, wash with clear water and dry.
3. Be sure to wash under the skillet cover and rinse with clean water.
4. Check the skillet pouring lip corners to be sure they are clean. Also, wash around the exterior of the skillet. Rinse with clean water and air dry.
5. Clean around burner air mixers and orifices (at rear of burner) if lint has accumulated.

 **CAUTION**

The appliance and its parts are hot. Use care when operating, cleaning and servicing the appliance.

ADJUSTMENTS

All units are adjusted at the factory. In case of any problems in operation at initial installation, check type of gas and manifold pressure and compare it with information on rating plate.

At least twice a year, have an authorized service person clean and adjust the tilting braising pan for maximum performance.

COMMON PROBLEMS

Burners do not come on:

1. Gas supply to unit is "OFF".
2. Manual shut off valve is "OFF".
3. Power switch is not "ON".
4. Pan not in lowest position.
5. Ignition control not functioning.
6. Unit electrical supply is not plugged in or turned on.
7. Braising pan has overheated, and burners were shut off by high-limit thermostat. Wait for pan to cool.

GAS SKILLET

Burners produce carbon deposits:

1. Wrong size orifices.
2. Burner air not adjusted properly.
3. Wrong gas supply.
4. Incorrect pressure at supply

Pan difficult to tilt:

1. Unit not level.
2. Segment gear worn.
3. Worm gear worn

SKG-30-SB, SKG-40-SB, SKG-30-PT-SB, & SKG-40-PT-SB Gas Skillet



A product with the Southbend name incorporates the best in durability and low maintenance. We all recognize, however, that replacement parts and occasional professional service may be necessary to extend the useful life of this appliance. When service is needed, contact a Southbend Authorized Service Agency, or your dealer. To avoid confusion, always refer to the model number, serial number, and type of your appliance.



SOUTHBEND STEAM

 **MIDDLEBY** A Middleby Company

1100 Old Honeycutt Road Fuquay-Varina, North Carolina 27526 USA
www.southbendnc.com