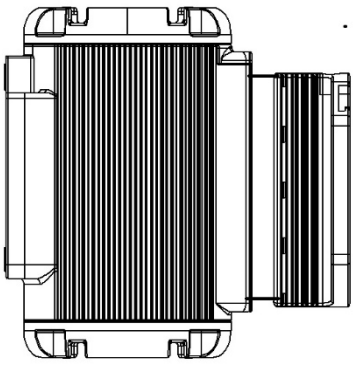
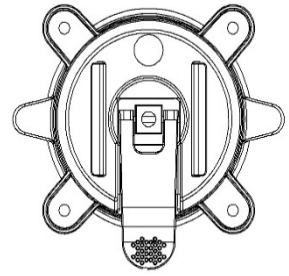
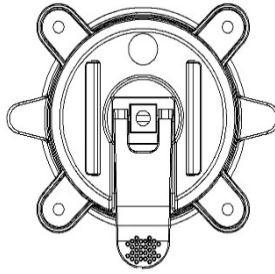


Magnetic/Multi-Surface Safety Barrier System

Includes one Magnetic Retractable Belt Barrier and two Multi-Surface Suction Cups



Magnetic Retractable Belt Barrier

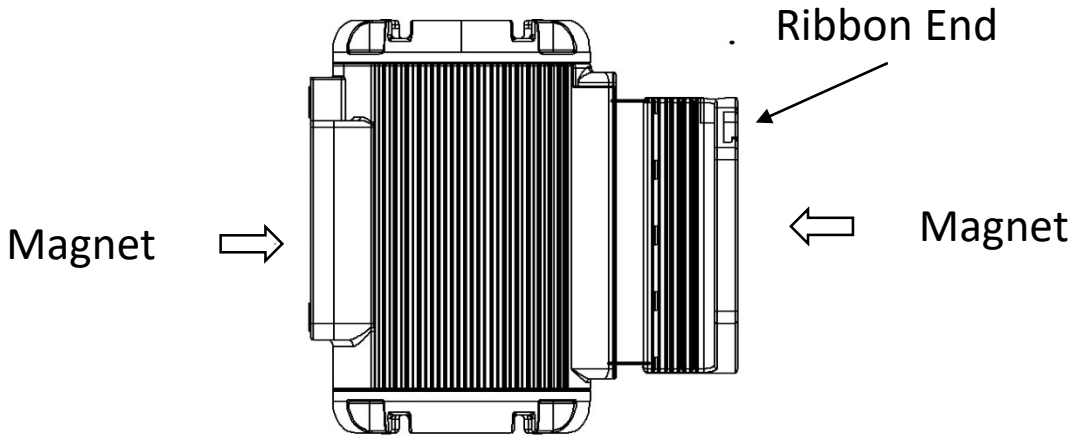


2 Suction Cups

The Magnetic Retractable Belt Barrier is designed to be attached to most metal surfaces by using the large magnet on either side of the banner head

Instructions:

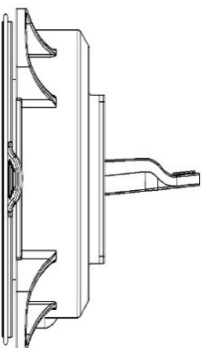
Attach the Magnetic Retractable Belt Barrier to a metal surface. Pull the message ribbon out to the right and then attach the magnet on the ribbon end to another metal surface.



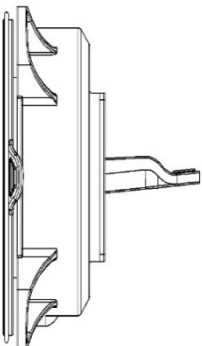
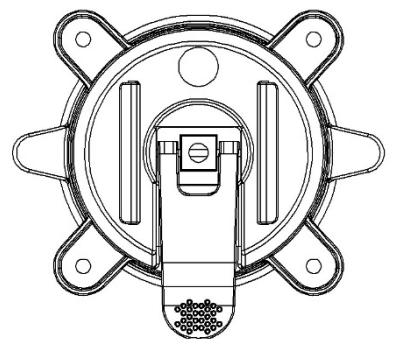
If you do not have a metal surface to attach to, you can utilize one or two of the suction cups.

Suction Cup Instructions:

For best results, please clean contact surface and lightly moisten rubber suction cup surface before mounting

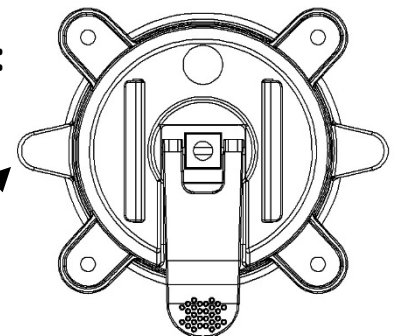


Lift the lever to apply the suction cup to a smooth clean surface, push the cup against the surface, and lower the lever to cause the suction cup to attach to the surface.



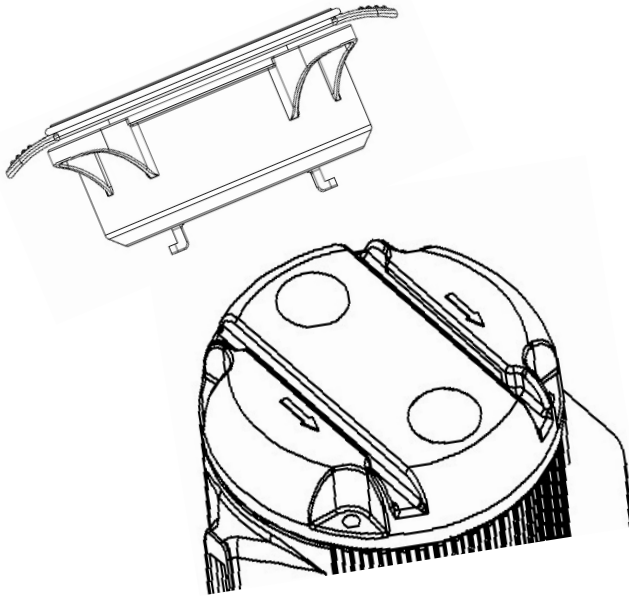
To release the suction cup:

Lift the lever to release the pressure and then pull up on one of the two tabs on the suction cup



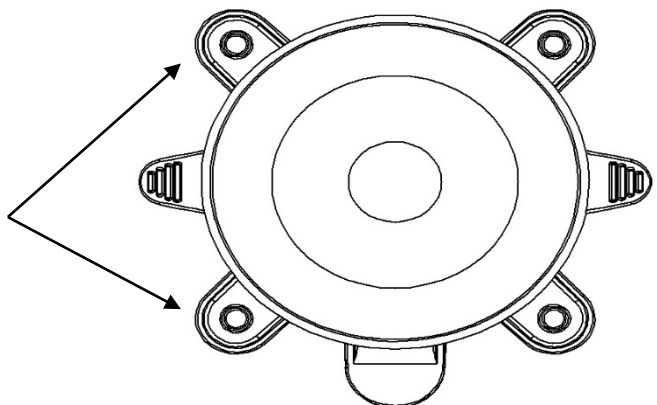
Magnetic/Multi-Surface Safety Barrier System

Instructions:



The suction cups can be stored on the top and bottom of the Magnetic Retractable Belt Barrier when not being used by sliding the cup through the runners on the head in the direction of the arrows.

These four mounting brackets can be used to secure the suction cup to any surface for a permanent installation with use of screws*.



*Screws are not included.



Warning:

**Do not depend on Suction Cup to hold indefinitely
Under certain circumstances Suction Cup may lose it's grip**

As the manufacturer of the Banner Stakes product line, Product Innovations LLC warrants this product from defects in material and workmanship under normal operation and use. The warranty period is one year from the date of purchase by the end – user.

Visit www.bannerstakes.com to see our innovative line of Banner Stakes Safety Communication Products.