



HOSHIZAKI

Parts List

Modular Crescent Cuber

Models

KMD-460MAJ, MWJ

KMD-530MAJ, MWJ, MRJ, MRJZ



hoshizakiamerica.com

Number: 71417
Issued: 2-12-2019
Revised: 12-2-2025

CONTENTS

Auxiliary Codes.....	3
Note About Ordering Parts	4
A. Main Assembly & Refrigeration Circuit	5
KMD-460MAJ, KMD-530MAJ.....	5
KMD-460MWJ, KMD-530MWJ.....	7
KMD-530MRJ(Z)	9
B. Water Circuit	11
C. Control Box Assembly	13
D. Accessories & Labels	15

Auxiliary Codes

KMD-460MAJ

H-0 September 2018
J-0 January 2019
J-1 April 2019
K-0 January 2020
L-0 January 2021
L-1 August 2021
L-2 September 2021
M-0 February 2022
N-0 January 2023
P-0 January 2024
P-1 March 2024

KMD-460MWJ

H-0 September 2018
J-1 April 2019
K-0 January 2020
L-0 January 2021
L-2 September 2021
M-0 February 2022
N-0 April 2023
P-0 January 2024

KMD-530MAJ

J-0 April 2019
K-0 January 2020
K-1 February 2020
L-0 January 2021
L-1 June 2021
L-2 September 2021
M-0 February 2022
N-0 February 2023
P-0 January 2024
P-1 March 2024

KMD-530MWJ

J-0 April 2019
K-0 January 2020
K-1 September 2020
L-0 January 2021
L-1 July 2021
L-2 September 2021
M-0 February 2022
N-0 March 2023
P-0 April 2024

KMD-530MRJ

J-0 April 2019
K-1 February 2020
L-0 January 2021
L-1 June 2021
L-2 September 2021

KMD-530MRJZ

L-0 October 2021
M-0 January 2022
N-0 January 2023
P-0 January 2024

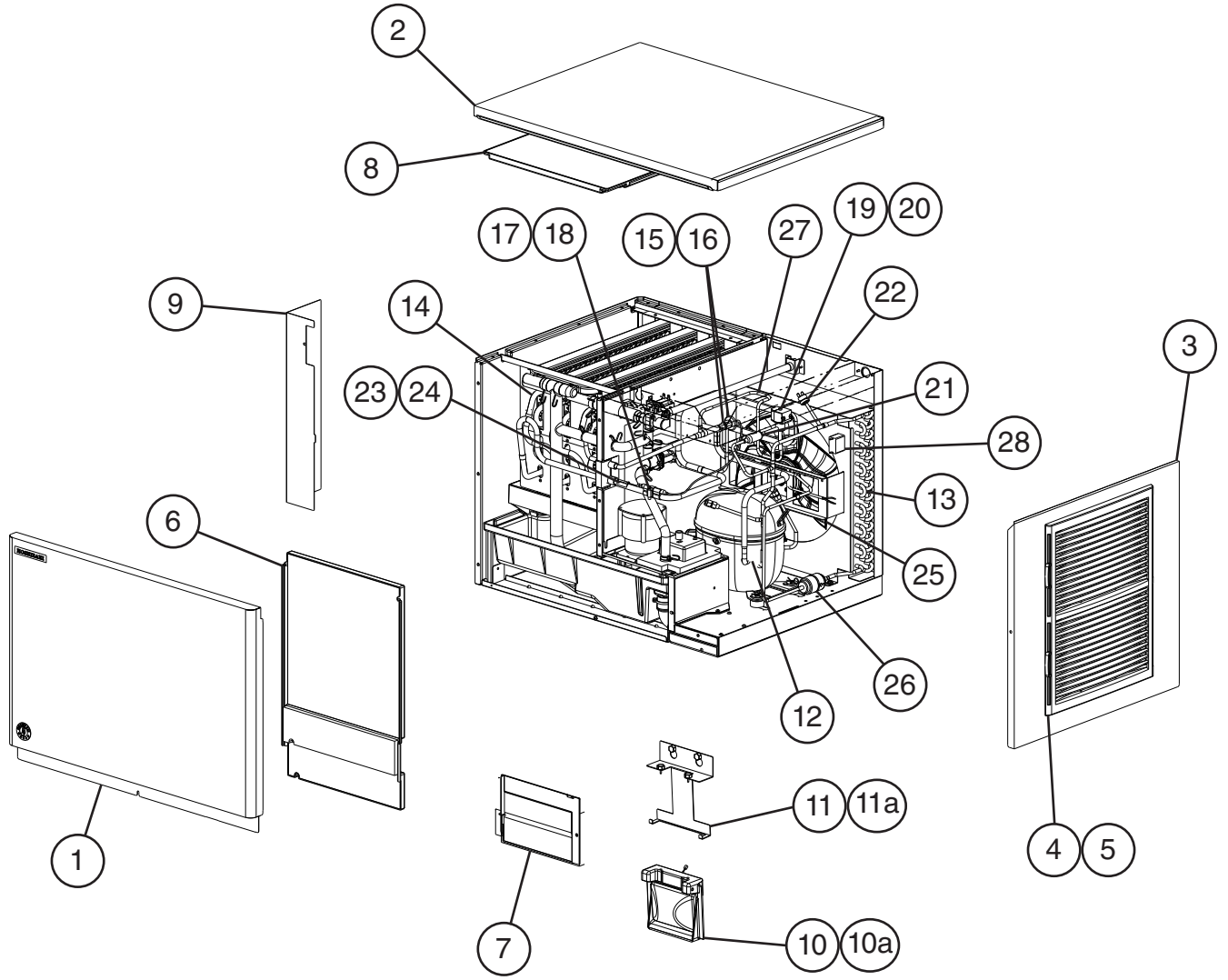
Auxiliary Code Breakdown

The auxiliary code is the first two characters in the serial number. The first character indicates the year. Years progress or regress in alphabetical order. The series runs from "A" through "V" and the letters "I" and "O" are skipped. The second character indicates significant part changes within a year. Base is "0" and this number advances for each change. In cases where there is a letter in parentheses, this designates the month. This is the last character in the serial number. The series runs from "(A)" through "(M)" and the letter "(I)" is skipped. This designation is only included when identifying a parts change within an auxiliary code.

Note About Ordering Parts

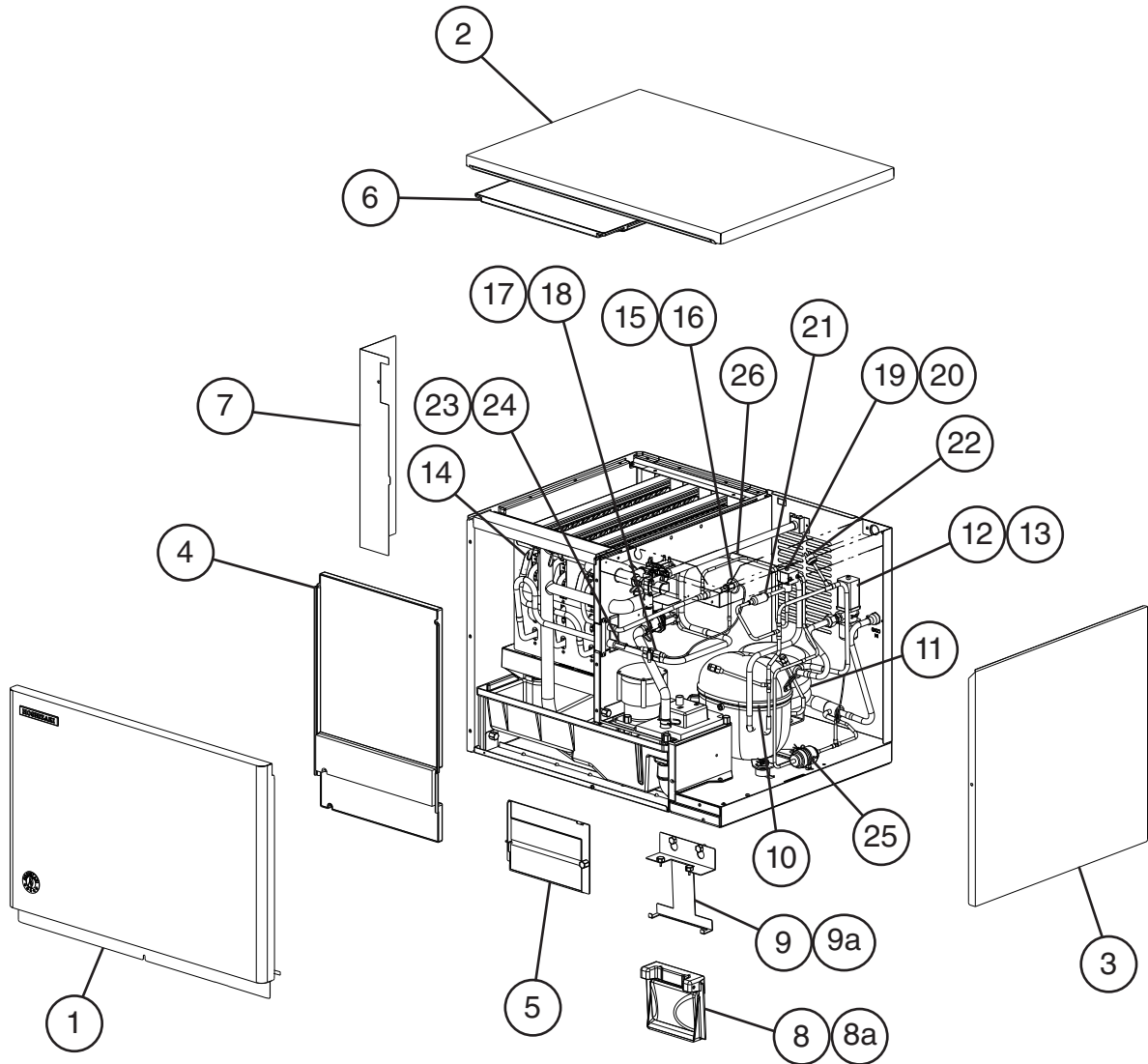
Most assemblies cannot be ordered as complete units; parts in the assemblies generally must be ordered separately.

A. Main Assembly & Refrigeration Circuit
KMD-460MAJ, KMD-530MAJ
 H-0 to P-1



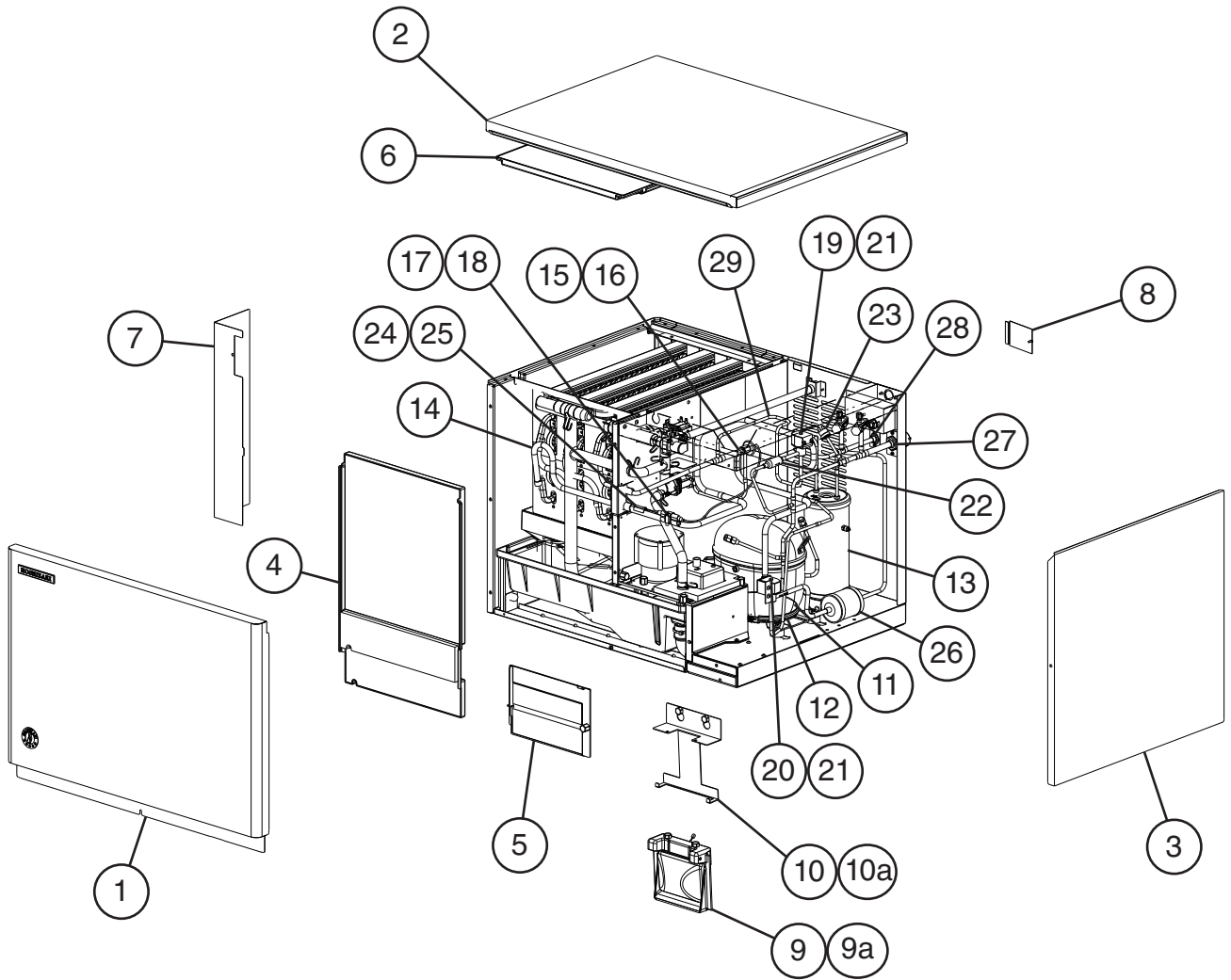
Title: A. Main Assembly & Refrigeration Circuit Model: KMD-460MAJ, KMD-530MAJ													
Index No.	Description	Material or Model Number	Part Number	Required Number									
				H-0 to L-1	L-2 to P-1								
Main Assembly													
1	Front Panel Assembly		2B0014A01	1	1								
2	Top Panel		3A4373G01	1	1								
3	Right Side Panel		2A4137G01	1	1								
4	Louver		1A1329-01	1	1								
5	Air Filter		2A4128G01	2	2								
6	Front Insulation A		3A5570G01	1	1								
7	Front Insulation B		3A4386G01	1	1								
8	Top Insulation		3A4394G01	1	1								
9	Control Box Cover		3A8289-01	1	1								
10	Bin Control		2A8598G02	1	1								
10a	Thumbscrew		415949G10	2	2								
11	Bin Control Bracket		3A8283-01	1	1								
11a	Thumbscrew		415949G10	2	2								
Refrigeration Circuit													
12	Compressor	KMD-460MAJ	4A4479-01	1	1								
		KMD-530MAJ	4A4376-02	1	1								
13	Condenser		1A1363-01	1	1								
14	Evaporator Assembly		2A7811G01	1	1								
15	Thermostatic Expansion Valve		4A1414-02	1	1								
16	Thermostatic Expansion Valve Cover		3A0944-01	1	1								
17	Thermostatic Expansion Valve Holder		3A0107-01	1	1								
18	Clamp		443461-02	1	1								
19	Hot Gas Valve Body		4A3978-01	1	1								
20	Valve Coil		4A3277-01	1	1								
21	Strainer		441569-04	1	1								
22	High-Pressure Switch		463180-04	1	1								
23	Thermistor		429006-03	1	1								
24	Thermistor Holder		427430-01	1	1								
25	Fan Motor (includes blade)		P02596-01	1	1								
26	Drier		4A1113-01	1	1								
27	Heat Exchanger	KMD-460MAJ	4A6326G01	1	1								
		KMD-530MAJ	1A3477G01	1	1								
28	Fan Motor Capacitor	6MFD, 250VAC	4A2128-08	1	1								

A. Main Assembly & Refrigeration Circuit
KMD-460MWJ, KMD-530MWJ
H-0 to P-0



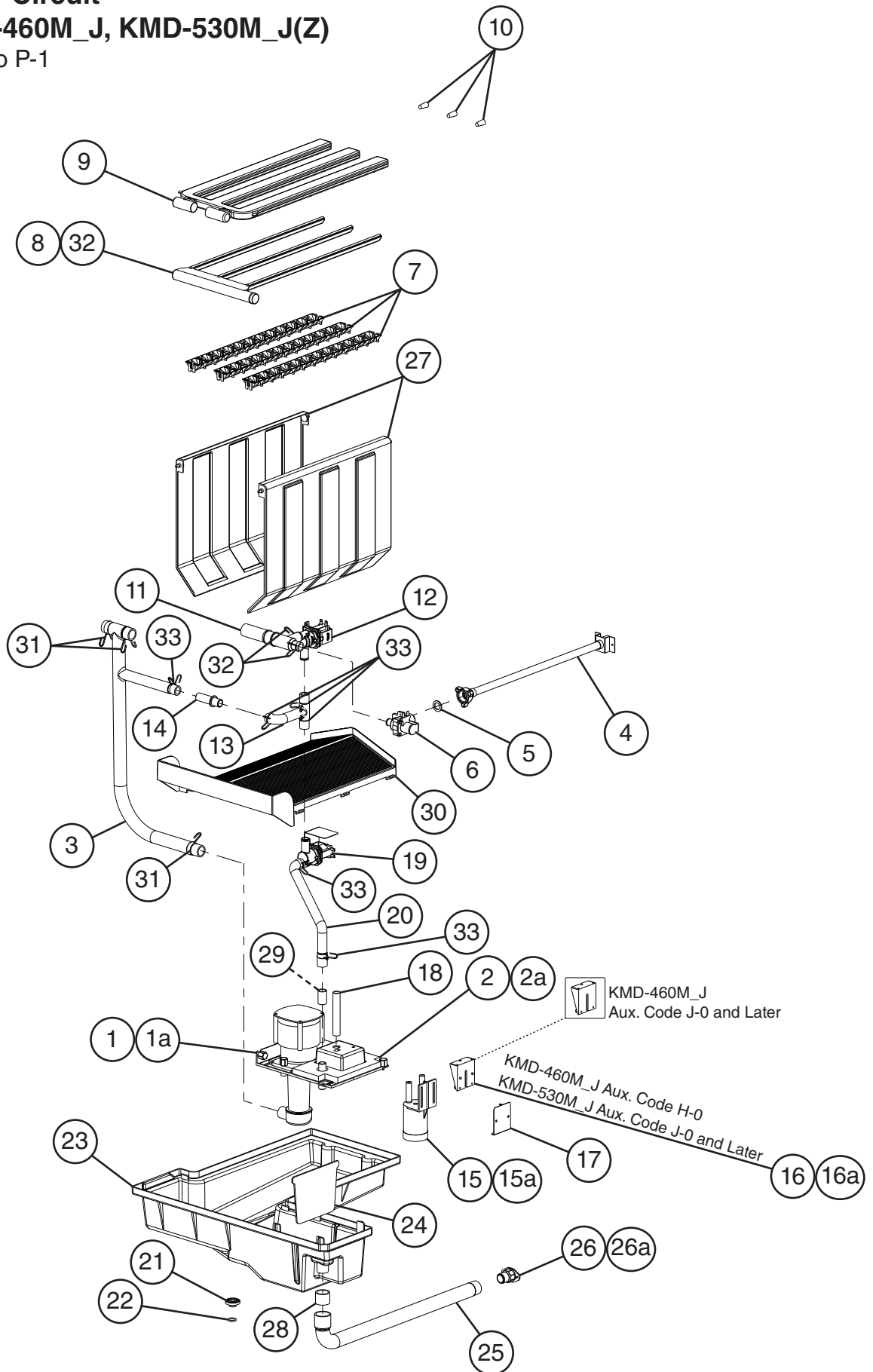
Title: A. Main Assembly & Refrigeration Circuit Model: KMD-460MWJ, KMD-530MWJ												
Index No.	Description	Material or Model Number	Part Number	Required Number								
				H-0 to L-1	L-2 to P-0							
Main Assembly												
1	Front Panel Assembly		2B0014A01	1	1							
2	Top Panel		3A4373G01	1	1							
3	Right Side Panel		2A4173G01	1	1							
4	Front Insulation A		3A5570G01	1	1							
5	Front Insulation B		3A4386G01	1	1							
6	Top Insulation		3A4394G01	1	1							
7	Control Box Cover		3A8289-01	1	1							
8	Bin Control		2A8598G02	1	1							
8a	Thumbscrew		415949G10	2	2							
9	Bin Control Bracket		3A8283-01	1	1							
9a	Thumbscrew		415949G10	2	2							
Refrigeration Circuit												
10	Compressor	KMD-460MWJ	4A4479-01	1	1							
		KMD-530MWJ	4A4376-02	1	1							
11	Condenser		3A8514-01	1	1							
12	Water Regulator		4A0911-06	1	1							
13	Male Connector		4A1087-01	1	1							
14	Evaporator Assembly		2A7811G01	1	1							
15	Thermostatic Expansion Valve		4A1414-02	1	1							
16	Thermostatic Expansion Valve Cover		3A0944-01	1	1							
17	Thermostatic Expansion Valve Holder		3A0107-01	1	1							
18	Clamp		443461-02	1	1							
19	Hot Gas Valve Body		4A3978-01	1	1							
20	Valve Coil		4A3277-01	1	1							
21	Strainer		441569-04	1	1							
22	High-Pressure Switch		463180-05	1	1							
23	Thermistor		429006-03	1	1							
24	Thermistor Holder		427430-01	1	1							
25	Drier		4A1113-01	1	1							
26	Heat Exchanger	KMD-460MWJ	1A5318G01	1	1							
		KMD-530MWJ	1A3477G01	1	1							

A. Main Assembly & Refrigeration Circuit
KMD-530MRJ(Z)
J-0 to P-0



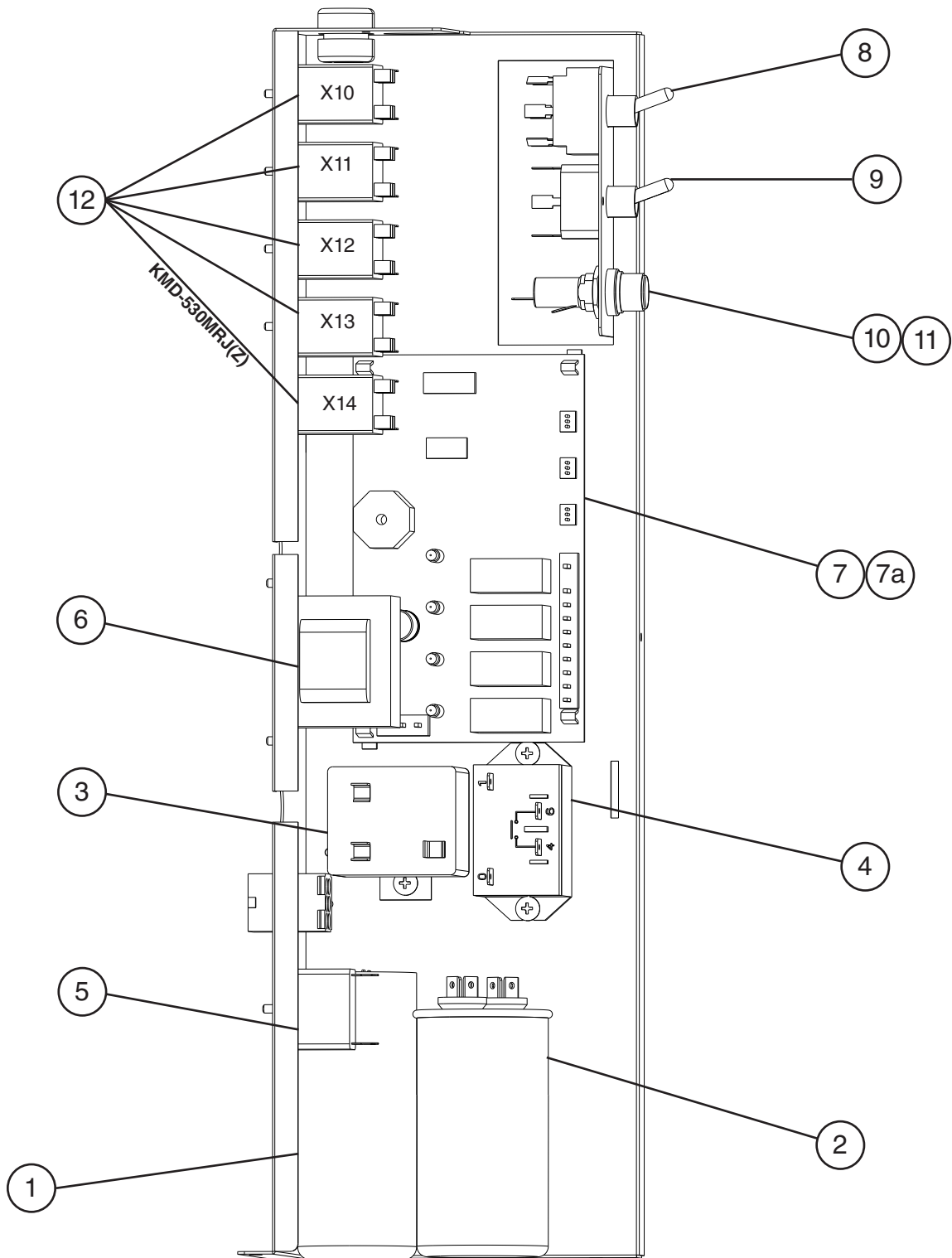
Title: A. Main Assembly & Refrigeration Circuit Model: KMD-530MRJ(Z)											
Index No.	Description	Material or Model Number	Part Number	Required Number							
				J-0 to L-0 (J)	L-0 (K) to L-1	L-2 to P-0					
Main Assembly											
1	Front Panel Assembly		2B0014A01	1	1	1					
2	Top Panel		3A4373G01	1	1	1					
3	Right Side Panel		2A4173G01	1	1	1					
4	Front Insulation A		3A5570G01	1	1	1					
5	Front Insulation B		3A4386G01	1	1	1					
6	Top Insulation		3A4394G01	1	1	1					
7	Control Box Cover		3A8289-01	1	1	1					
8	Junction Box Cover		433410-01	1	1	1					
9	Bin Control		2A8598G02	1	1	1					
9a	Thumbscrew		415949G10	2	2	2					
10	Bin Control Bracket		3A8283-01	1	1	1					
10a	Thumbscrew		415949G10	2	2	2					
Refrigeration Circuit											
11	Compressor		4A4376-02	1	1	1					
12	Crankcase Heater		4A5091-01	1	1	1					
13	Receiver		4A6212-01	1	1	1					
14	Evaporator Assembly		2A7811G01	1	1	1					
15	Thermostatic Expansion Valve		4A1414-02	1	1	1					
16	Thermostatic Expansion Valve Cover		3A0944-01	1	1	1					
17	Thermostatic Expansion Valve Bulb Holder		3A0107-01	1	1	1					
18	Clamp		443461-02	1	1	1					
19	Hot Gas Valve Body		4A3978-01	1	1	1					
20	Liquid Line Valve Body		4A3276-01	1	1	1					
21	Valve Coil		4A3277-01	2	2	2					
22	Strainer		441569-04	1	1	1					
23	High-Pressure Switch		463180-04	1	1	1					
24	Thermistor		429006-03	1	1	1					
25	Thermistor Holder		427430-01	1	1	1					
26	Drier		4A1338-01	1	1	1					
27	Discharge Line Coupling	KMD-530MRJ	434072-01	1	-						
	Discharge Line Service Valve	KMD-530MRJZ	4A3491-01		1	1					
28	Liquid Line Coupling	KMD-530MRJ	426554-01	1	-						
	Liquid Line Service Valve	KMD-530MRJZ	4A3491-01		1	1					
29	Heat Exchanger		1A3477G01	1	1	1					

B. Water Circuit
KMD-460M_J, KMD-530M_J(Z)
 H-0 to P-1



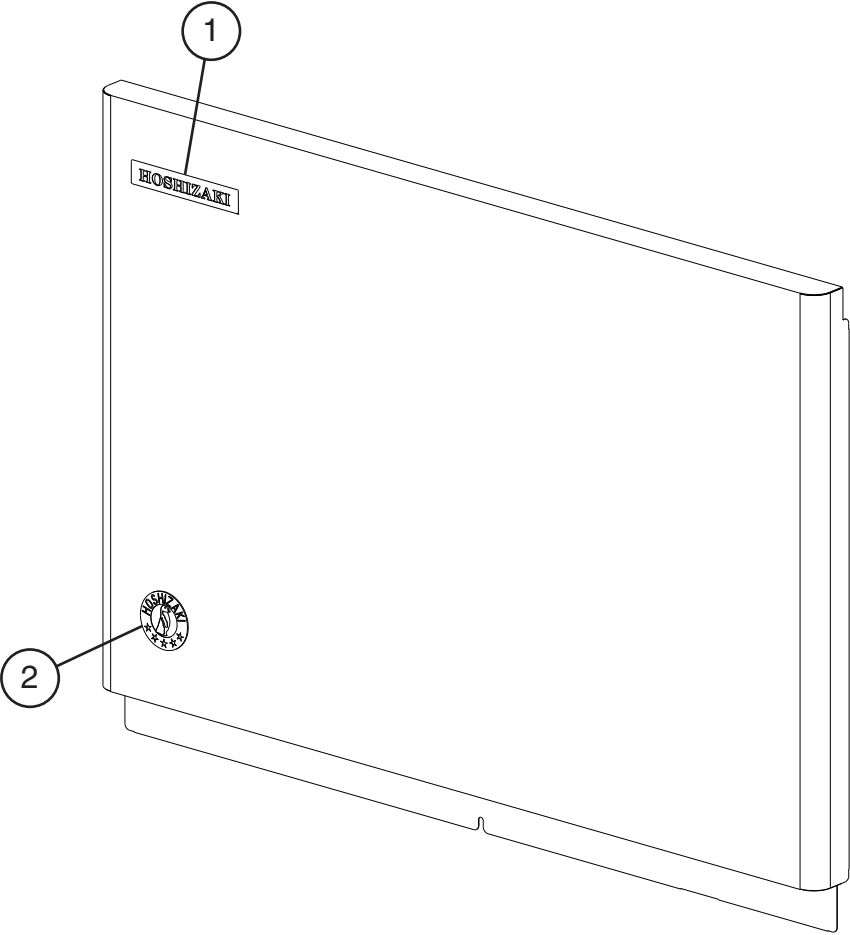
Title: B. Water Circuit Model: KMD-460M_J, KMD-530M_J(Z)											
Index No.	Description	Material or Model Number	Part Number	Required Number							
				H-0	J-0 to P-1						
1	Pump Motor		4A4259-01	1	1						
1a	Thumbscrew		415949G12	1	1						
2	Pump Motor Bracket		1A1341G01	1	1						
2a	Thumbscrew		415949G12	2	2						
3	Pump Hose		4A5685-01	1	1						
4	Water Supply Pipe		4A4250G01	1	1						
5	Rubber Gasket		413854-03	1	1						
6	Inlet Water Valve		3U0111-03	1	1						
7	Spray Guide		2A4282-04	3	3						
8	Water Supply Tube		2A4132-01	1	1						
9	Spray Tube		2A4133-01	1	1						
10	Plug		4A0176-01	3	3						
11	Water Valve Hose (tee)		3A4366-01	1	1						
12	Water Valve (Cleaning)	KMD-460M_J	4A5745-01	1	1						
		KMD-530M_J	4A5530-01		1						
13	Bypass Hose (tee)		4A5687-01	1	1						
14	Evaporator Pipe		4A3765-02	1	1						
15	Float Switch Assembly		4A7077G01	1	1						
15a	T2 Screw		7P32-0412	2	2						
16	Float Switch Bracket	KMD-460M_J	327757-01	1	-						
			327757-02		1						
		KMD-530M_J	327757-01		1						
16a	T2 Screw	4x12	7P32-0412	1	1						
17	Float Switch Stop	KMD-460M_J	4A6399-01		1						
18	Vinyl Hose	40 mm	7716B1216	1	1						
19	Water Valve (Drain)	KMD-460M_J	4A5745-03	1	1						
		KMD-530M_J	4A5530-03		1						
20	Drain Hose (B)		4A5688-01	1	1						
21	Drain Plug		309246-01	1	1						
22	O-Ring		7611-P015	1	1						
23	Tank		3A8316G01	1	1						
24	Tank Separator		4A4239-01	1	1						
25	Tank Drain Hose		4A5684-01	1	1						
26	Drain Fitting		4A5528-01	1	1						
26a	T2 Screw	4x8	7P32-0408	2	2						
27	Splash Curtain		2A7452G01	2	2						
28	Vinyl Hose	25 mm	4A0658L01	1	1						
29	Vinyl Hose		7730-1519	1	1						
30	Cube Guide		1A1336-01	1	1						
Hose Clamps											
31	Hose Clamp	25 mm	427443-03	4	4						
32	Hose Clamp	18 mm	427443-05	2	2						
33	Hose Clamp	20 mm	427443-06	6	6						

C. Control Box Assembly
KMD-460M_J, KMD-530M_J(Z)
H-0 to P-1



Title: C. Control Box Assembly Model: KMD-460M J, KMD-530M J(Z)												
Index No.	Description	Material or Model Number	Part Number	H-0 to P-1	Required Number							
1	Start Capacitor	243-292MFD, 165VAC	3A0076-20	1								
2	Run Capacitor	35MFD, 440VAC	3A2005-12	1								
3	Start Relay		4A1107-11	1								
4	Compressor Relay		4A3140-01	1								
5	Pump Motor Capacitor	2.5MFD, 250VAC	4A2128-05	1								
6	Control Transformer		3A0172-01	1								
7	Control Board		2A7664-04	1								
7a	Control Board Support		4A0336-03	4								
8	Toggle Switch (Control)		443119-01	1								
9	Toggle Switch (Service)		4A0985-01	1								
10	Fuse Holder		4A5443-01	1								
11	Fuse	AGC-10A, 250VAC	4A0893-07	1								
12	Relay (X10 - Pump Motor Relay X11 - Inlet Water Valve Relay X12 - Anti-Slush Relay X13 - Service Relay)	All Models	406132-07	4								
	Relay (X14 - Crankcase Heater Relay)	KMD-530MRJ(Z)		1								

D. Accessories & Labels
KMD-460M_J, KMD-530M_J(Z)
 H-0 to P-1



Title: D. Accessories & Labels Model: KMD-460M_J, KMD-530M_J(Z)											
Index No.	Description	Material or Model Number	Part Number	H-0 to P-1	Required Number						
1	Emblem		4A0560-01	1							
2	Penguin Label		475552L02	1							
3	Universal Brace		4A0363-01	2							
3a	Hex Bolt	5x12, SS	7B02-0512	2							