



IMPORTANT NOTE:

Locate the Specification Label on unit to determine exact Model Name and electrical specifications. This information is needed to identify the correct replacement parts. See exploded view illustration(s) for Specification Label location.

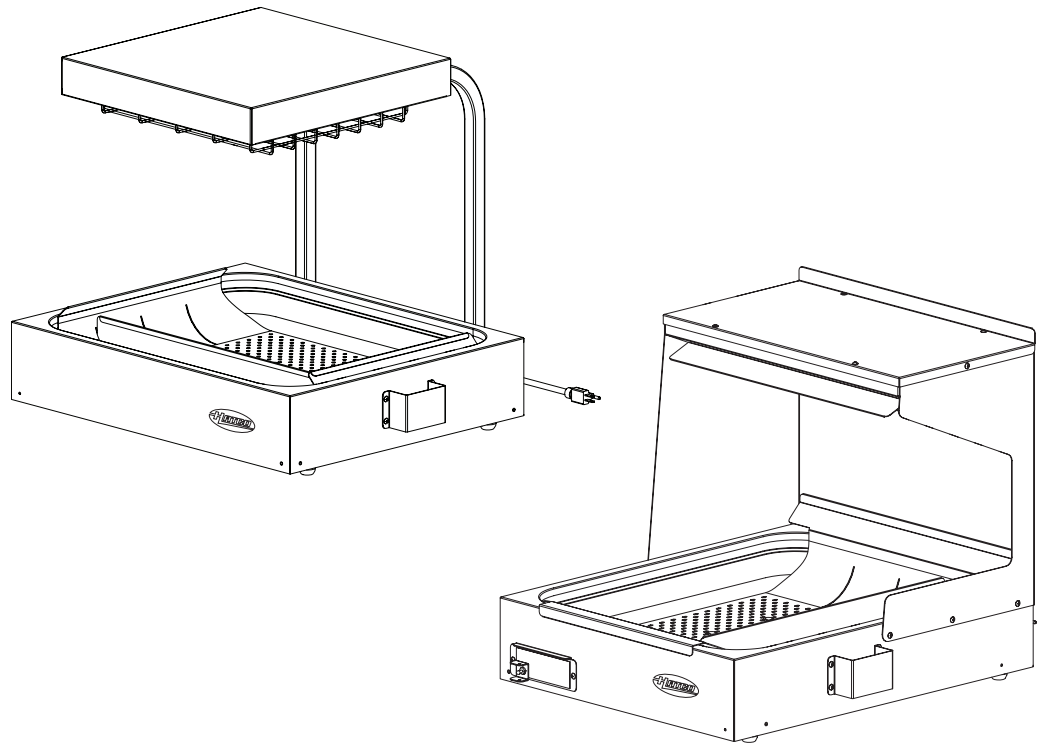


Use of replacement parts other than those supplied by Hatco Corporation may result in damage to unit or injury to personnel and will void all warranties.

Glo-Ray® Fry Holding Station

GRFHS Series

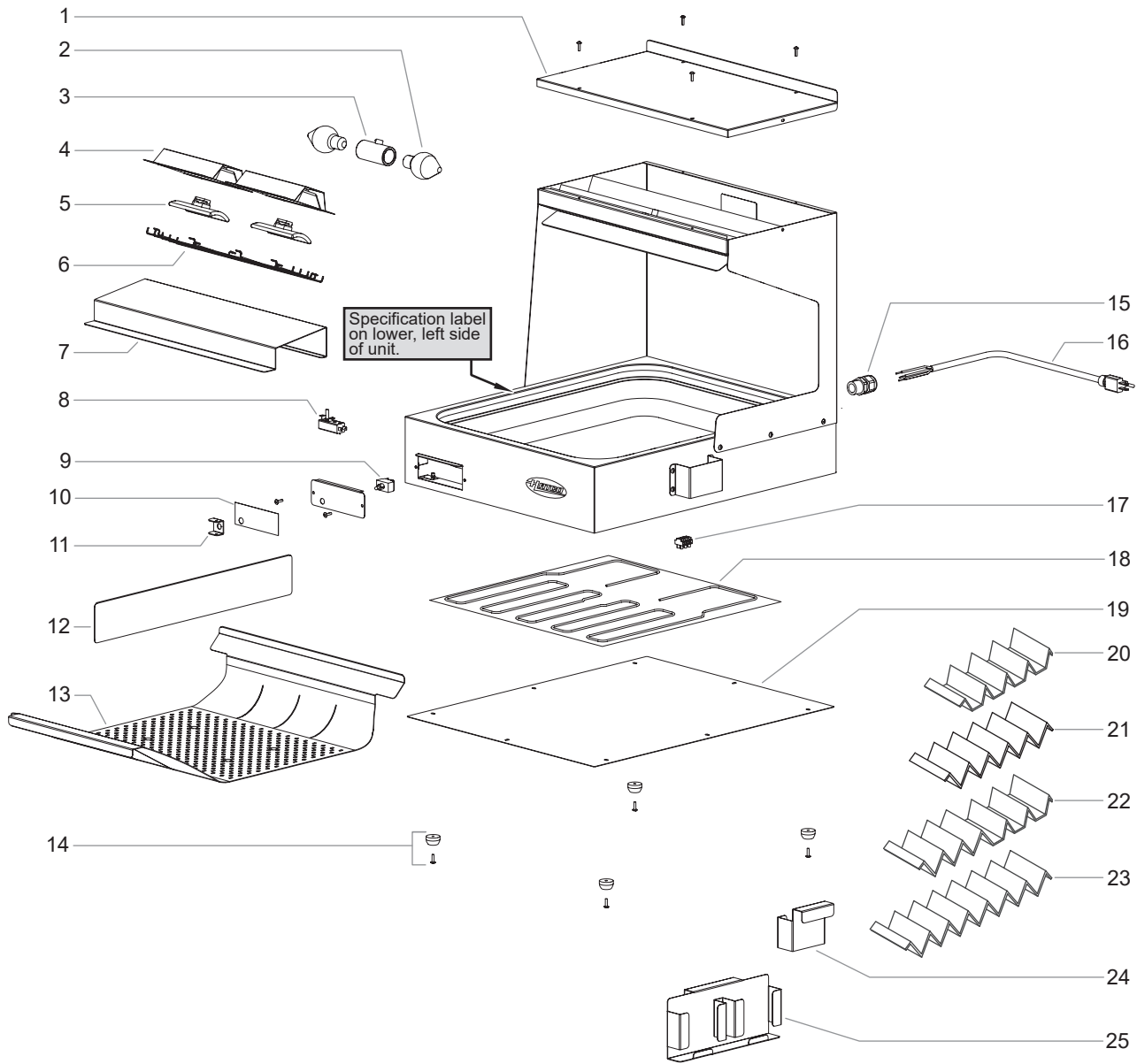
<u>Model Name</u>	<u>Page</u>	<u>Model Name</u>	<u>Page</u>
GRFHS-16.....	2	GRFHS-PT16	6
GRFHS-21.....	2	GRFHS-PT26	6
GRFHS-21S	2	GRFHS-PTT16	6
GRFHS-22.....	2	GRFHS-PTT21	6
GRFHS-26.....	2		



Replacement Parts List

Hatco® Glo-Ray® Fry Holding Station

GRFHS-16, -21, -21S, -22, and -26 Models



NOTE: The last four digits in a ten digit numerical serial number are the manufacturing date code.

Example: Serial number 9625062231 has a date code of "2231" which indicates the following: 2231

Week Thirty-One
Year 2022

Parts for GRFHS-16, -21, -21S, -22, and -26 Models

Item	Description	Part Number		Qty.
		Date Code 1601 or newer	Date Code 1552 or older	
1	Cover, Top			
	GRFHS-16	04.25.708.00	---	1
	GRFHS-21	04.25.720.00	---	1
	GRFHS-21S	04.25.684.00	N/A	1
	GRFHS-22	04.25.759.00	---	1
	GRFHS-26	04.25.740.00	---	1
2	Light Bulbs			
	Incandescent, 120 V	02.30.265.00	02.30.265.00	2
	Incandescent, 100 V	02.30.265.00	02.30.265.00	2
	Incandescent, 220 and 240 V	02.30.266.00	02.30.266.00	2
	Halogen, 120 V	02.30.081.00	02.30.081.00	2
	Halogen, 100 V	02.30.081.00	02.30.081.00	2
3	Light Socket with Leads			
	Dual, GRHS-16, -21, -21S, -22, -26	R02.30.087.00	R02.30.087.00	1
	Single	R02.30.050.00	R02.30.050.00	1
4	Heat Reflector Assembly			
	GRFHS-16	R04.25.208.00	R04.25.208.00	1
	GRFHS-21, -21S, -22, and -26	R04.25.223.00	R04.25.223.00	2
5	Heating Element, Ceramic			
	GRFHS-16			
	120 V	R02.07.001.01	R02.07.001.01	1
	100 V	R02.07.014.00	R02.07.014.00	1
	220 and 220/230 V	R02.07.015.00	R02.07.015.00	1
	230/240 V	R02.07.003.00	R02.07.003.00	1
	GRFHS-21, -21S, -22, and -26			
	120 V	R02.07.006.00	R02.07.006.00	2
	100 V	R02.07.007.00	R02.07.007.00	2
	220 and 220/230 V	R02.07.017.00	R02.07.017.00	2
	230/240 V	R02.07.013.00	R02.07.013.00	2
6	Wire Guard			
	GRFHS-16	04.25.226.00	04.25.226.00	1
	GRFHS-21 and -21S	04.25.730.00	04.25.311.00	1
	GRFHS-22	04.08.121.00	04.08.121.00	2
	GRFHS-26	04.25.225.00	04.25.225.00	2
7	Back Spacer (GRFHS-21S only)	04.25.786.00	N/A	1
8	Thermostat, Control	R02.16.066.00	R02.16.066.00	1
9	Toggle Switch	R02.19.008A.00	R02.19.008A.00	1
	Rocker to Toggle Switch Conversion Kit (not shown) •	N/A	R00.02.0030.00	1
10	Decal, Control	07.03.319.00	07.03.319.00	1
11	Control Guard †	04.01.038.00	04.01.038.00	1

The shaded areas contain information for **International models only**.

• Used on all units manufactured before December, 2002.

† Used on all units manufactured during or after December, 2002.

N/A = Not Applicable

--- = Obsolete (parts are no longer available)

Parts for GRFHS-16, -21, -21S, -22, and -26 Models

Item	Description	Part Number		Qty.
		Date Code 1601 or newer	Date Code 1552 or older	
12	Pan Divider			
	GRFHS-16 and -26	04.25.297.00	04.25.297.00	1
	GRFHS-21	04.25.316.00	04.25.316.00	1
	GRFHS-21S	04.25.389.00	N/A	1
	GRFHS-22	04.25.542.00	04.25.542.00	1
13	Trivet			
	GRFHS-16	04.25.651.00	04.25.651.00	1
	GRFHS-21	04.25.725.00	04.25.725.00	1
	GRFHS-21S	04.25.791.00	N/A	1
	GRFHS-22	04.25.772.00	04.25.772.00	1
	GRFHS-26	04.25.744.00	04.25.744.00	1
14	Rubber Feet	R05.30.029.00	R05.30.029.00	4
15	Cord Grip	R02.20.259.00	R02.20.259.00	1
16	Cord and Plug			
	NEMA 5-15P	R02.18.154.00	R02.18.154.00	1
	CEE 7/7 Schuko	02.18.077.00	02.18.077.00	1
	BS-1363	02.18.066.00	02.18.066.00	1
	AS 3112	02.18.104.00	N/A	1
	JIS C 8303	02.18.594.00	N/A	1
	NBR 14136	02.18.620.00	N/A	1
17	Terminal Block	R02.15.030.00	R02.15.030.00	1
18	Blanket Element, 220 W			
	GRFHS-16			
	120 V	02.05.504.00	02.05.504.00	1
	100 V	02.05.504.00	02.05.504.00	1
	220, 220/230, and 230/240 V	02.05.528.00	02.05.528.00	1
	GRFHS-21 and -21S			
	120 V	02.05.486.00	02.05.486.00	1
	100 V	02.05.486.00	02.05.486.00	1
	220, 220/230, and 230/240 V	02.05.494.00	02.05.494.00	1
	GRFHS-22			
	120 V	02.05.699.00	02.05.699.00	1
	100 V	02.05.699.00	02.05.699.00	1
	220, 220/230, and 230/240 V	02.05.973.00	02.05.973.00	1
	GRFHS-26			
	120 V	02.05.503.00	02.05.503.00	1
	100 V	02.05.503.00	02.05.503.00	1
	220, 220/230, and 230/240 V	02.05.535.00	02.05.535.00	1

The shaded areas contain information for **International models only**.

N/A = Not Applicable

--- = Obsolete (parts are no longer available)

NOTE: The last four digits in a ten digit numerical serial number are the manufacturing date code.

Example: Serial number 962506**2231** has a date code of "2231" which indicates the following: 2231

└─ Week Thirty-One
└─ Year 2022

Parts for GRFHS-16, -21, -21S, -22, and -26 Models

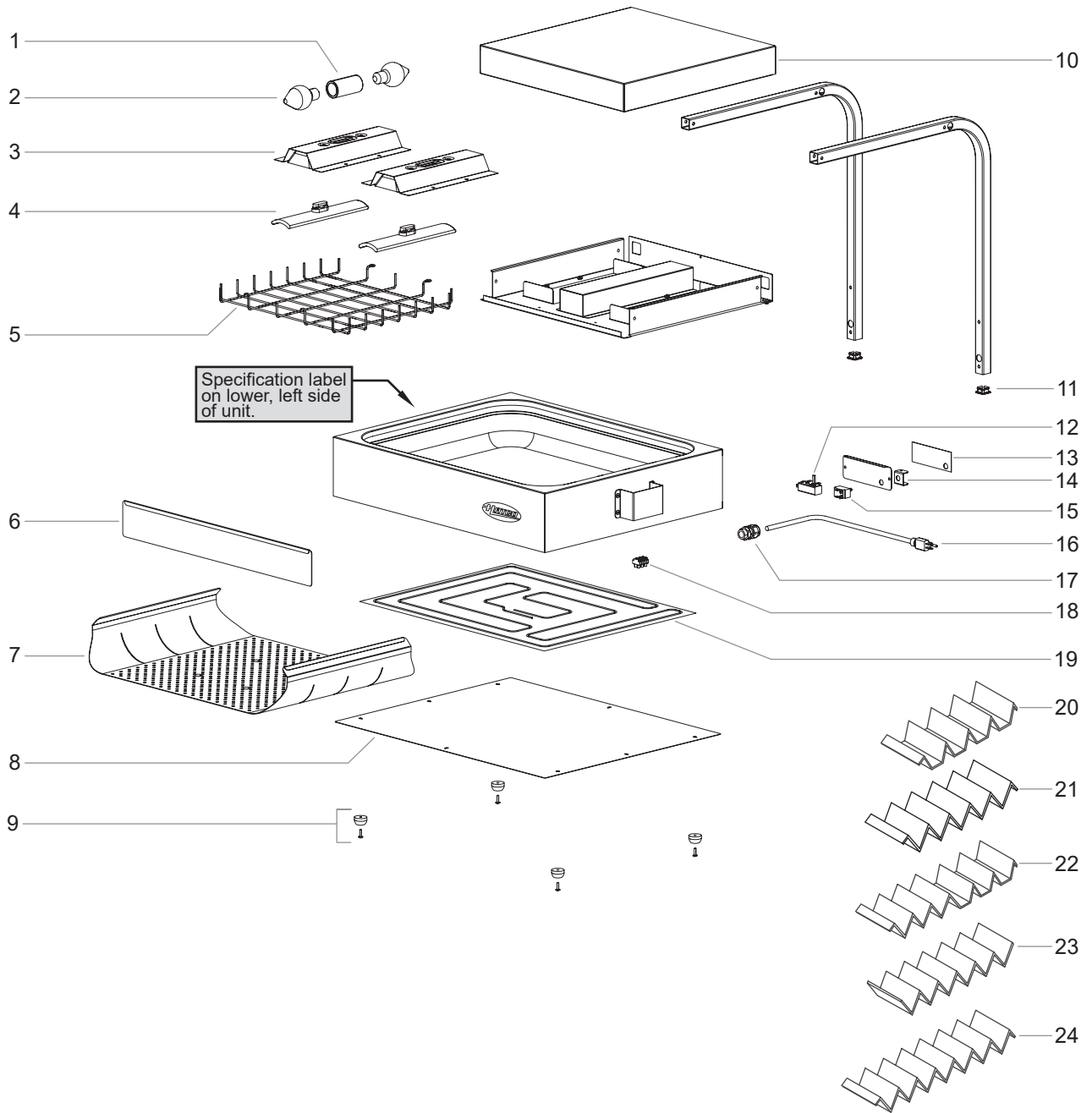
Item	Description	Part Number		Qty.
		Date Code 1601 or newer	Date Code 1552 or older	
19	Cover, Bottom			
	GRFHS-16	04.25.707.00	---	1
	GRFHS-21, -21S	04.25.794.00	---	1
	GRFHS-22	04.25.771.00	---	1
	GRFHS-26	04.25.739.00	04.25.336.00	1
20	Fry Box Ribbon — 4 Pleat	04.25.356.00	04.25.356.00	1
21	Fry Bag Ribbon — 5 Pleat	04.25.350.00	04.25.350.00	1
	Fry Box Ribbon — 5 Pleat (GRFHS-21 only, not shown)	04.25.314.00	04.25.314.00	1
22	Fry Box/Bag Combo Ribbon — 6 Pleat (GRFHS-21 only)	04.25.315.00	04.25.315.00	1
	Fry Bag Ribbon — 6 Pleat (GRFHS-21 only, not shown)	04.25.359.00	04.25.359.00	1
23	Fry Bag Ribbon — 7 Pleat (GRFHS-21 only)	04.25.313.00	04.25.313.00	1
24	Scoop Holder (GRFHS-21S only)	04.25.413.00	N/A	1
25	Bag Holder (GRFHS-21S only)	04.25.317.00	N/A	1
	Wiring Diagram			
	GRFHS-16			
	120 V	HS1-5537	HS1-5537	
	100 V	HS1-5537	HS1-5537	
	220, 220/230, and 230/240 V	HS1-5902	HS1-5537	
	GRFHS-21			
	120 V	HS1-5275	HS1-5537	
	100 V	HS1-5358	HS1-5358	
	220 and 220/230 V	HS1-5359	HS1-5537	
	230/240 V	HS1-5360	HS1-5537	
	GRFHS-21S			
	120 V	HS1-5275	N/A	
	100 V	HS1-5358	N/A	
	220/230 V	HS1-5359	N/A	
	230/240 V	HS1-5360	N/A	
	GRFHS-22			
	120 V	10-01-779	10-01-779	
	100 V	10-01-779	10-01-779	
	220, 220/230, and 230/240 V	10-01-1280	10-01-779	
	GRFHS-26			
	120 V	HS1-5696	HS1-5696	
	100 V	HS1-5696	HS1-5696	
	220, 220/230, and 230/240 V	HS1-6035	HS1-6040	

The shaded areas contain information for **International models only**.

N/A = Not Applicable

--- = Obsolete (parts are no longer available)

Hatco® Glo-Ray® Fry Holding Station
GRFHS-PT16, -PT26, -PTT16, and -PTT21 Models



NOTE: The last four digits in a ten digit numerical serial number are the manufacturing date code.

Example: Serial number 9625062231 has a date code of "2231" which indicates the following: 2231

┌ Week Thirty-One
└ Year 2022

Parts for GRFHS-PT16, -PT26, -PTT16, and -PTT21 Models

Item	Description	Part Number		Qty.
		Date Code 1601 or newer	Date Code 1552 or older	
1	Light Socket with Leads, Dual	R02.30.087.00	R02.30.087.00	1
2	Light Bulbs			
	Incandescent, 120 V	02.30.265.00	02.30.265.00	2
	Incandescent, 100 V	02.30.265.00	02.30.265.00	2
	Incandescent, 220 and 240 V	02.30.266.00	02.30.266.00	2
	Halogen, 120 V	02.30.081.00	02.30.081.00	2
	Halogen, 100 V	02.30.081.00	02.30.081.00	2
3	Heat Reflector Assembly			
	GRFHS-PT16, -PTT21 and -PTT16	R04.25.208.00	R04.25.208.00	1-2
	GRFHS-PT26	R04.25.208.00	R04.25.223.00	1
4	Heating Element, Ceramic			
	GRFHS-PT16			
	120 V	R02.07.001.01	R02.07.001.01	1
	100 V	R02.07.014.00	R02.07.001.01	1
	220 and 220/230 V	R02.07.015.00	R02.07.001.01	1
	230/240 V	R02.07.003.00	R02.07.001.01	1
	GRFHS-PTT16, 120 V	R02.07.002.00	N/A	1
	GRFHS-PTT21			
	120 V	R02.07.008.00	R02.07.008.00	2
	100 V	R02.07.001.01	N/A	2
	220, 220/230, 230/240 V	R02.07.010.00	R02.07.010.00	2
	GRFHS-PT26			
	120 V	R02.07.002.00	R02.07.002.00	2
	100 V	R02.07.008.00	N/A	2
	220, 220/230, 230/240 V	R02.07.009.00	R02.07.009.00	2
5	Wire Guard			
	GRFHS-PT16	04.08.117.00	04.08.117.00	1
	GRFHS-PTT16, -PTT21, -PT26	04.25.755.00	N/A	1
6	Pan Divider			
	GRFHS-PT16	04.25.297.00	04.25.297.00	1
	GRFHS-PTT16	04.25.421.00	04.25.421.00	1
	GRFHS-PTT21 and -PT26	04.25.349.00	04.25.349.00	1
7	Trivet			
	GRFHS-PT16	04.25.651.00	04.25.651.00	1
	GRFHS-PTT16	04.25.855.00	04.25.855.00	1
	GRFHS-PTT21	04.25.304.00	04.25.304.00	1
	GRFHS-PT26	04.25.348.00	04.25.348.00	1
8	Cover, Bottom			
	GRFHS-PT16 and -PTT16	04.25.707.00	04.25.707.00	1
	GRFHS-PTT21 and -PT26	04.25.739.00	04.25.336.00	1
9	Rubber Feet	R05.30.029.00	R05.30.029.00	4
10	Cover, Top			
	GRFHS-PT16	04.25.750.00	---	1
	GRFHS-PTT16	04.25.851.00	---	1
	GRFHS-PTT21	04.25.778.00	N/A	1
	GRFHS-PT26	04.25.754.00	---	1

The shaded areas contain information for **International models only**.

N/A = Not Applicable

--- = Obsolete (parts are no longer available)

Parts for GRFHS-PT16, -PT26, -PTT16, and -PTT21 Models

Item	Description	Part Number		Qty.
		Date Code 1601 or newer	Date Code 1552 or older	
11	Cap Plug	02.20.055.00	02.20.055.00	2
12	Thermostat, Control	R02.16.066.00	R02.16.066.00	1
13	Decal, Control	07.03.319.00	07.03.319.00	1
14	Control Guard †	04.01.038.00	04.01.038.00	1
15	Toggle Switch	R02.19.008A.00	R02.19.008A.00	1
	Rocker to Toggle Switch Conversion Kit (not shown) •	N/A	R00.02.0030.00	1
16	Cord and Plug			
	NEMA 5-15P	R02.18.154.00	R02.18.154.00	1
	CEE 7/7 Schuko	02.18.077.00	02.18.077.00	1
	BS-1363	02.18.066.00	02.18.066.00	1
	AS 3112	02.18.104.00	N/A	1
	JIS C 8303	02.18.594.00	N/A	1
	NBR 14136	02.18.620.00	N/A	1
17	Cord Grip Assembly	R02.20.259.00	R02.20.259.00	1
18	Terminal Block	R02.15.030.00	R02.15.030.00	1
19	Blanket Element, 220 W			
	GRFHS-PT16 and -PTT16			
	120 V	02.05.504.00	02.05.504.00	1
	100 V	02.05.504.00	02.05.504.00	1
	220, 220/230, and 230/240 V	02.05.528.00	02.05.528.00	1
	GRFHS-PTT21 and -PT26			
	120 V	02.05.531.00	02.05.531.00	1
	100 V	02.05.531.00	02.05.531.00	1
	220, 220/230, and 230/240 V	02.05.534.00	02.05.534.00	1
20	Fry Box Ribbon — 4 Pleat	04.25.356.00	04.25.356.00	1
21	Fry Bag Ribbon — 5 Pleat	04.25.350.00	04.25.350.00	1
	Fry Box Ribbon — 5 Pleat * (not shown)	04.25.314.00	04.25.314.00	1
22	Fry Box/Bag Combo Ribbon — 6 Pleat *	04.25.315.00	04.25.315.00	1
23	Fry Bag Ribbon — 6 Pleat *	04.25.359.00	04.25.359.00	1
24	Fry Bag Ribbon — 7 Pleat *	04.25.313.00	04.25.313.00	1
	Wiring Diagram			
	GRFHS-PT16			
	120 V	10-01-763	10-01-763	
	100 V	10-01-763	10-01-763	
	220, 220/230, and 230/240 V	10-01-1278	10-01-763	
	GRFHS-PTT21 and -PTT16			
	120 V	10-01-098	HS1-5537	
	100 V	10-01-098	10-01-098	
	220, 220/230, and 230/240 V	10-01-098	10-01-098	
	GRFHS-PT26	HS1-5794	HS1-5537	

• Used on all units manufactured before December, 2002.

† Used on all units manufactured during or after December, 2002.

N/A = Not Applicable

--- = Obsolete (parts are no longer available)

* Not available for GRFHS-PT16 or GRFHS-PTT16 models.

NOTES

AUTHORIZED PARTS DISTRIBUTORS • DISTRIBUTEURS DE PIÈCES AUTORISÉS

ALABAMA

Jones McLeod Appl. Svc.
Birmingham 205-251-0159

ARIZONA

Tech 24
Phoenix 602-234-2443

Byassee Equipment Co.
Phoenix 602-252-0402

CALIFORNIA

Industrial Electric
Commercial Parts & Service, Inc.
Huntington Beach 714-379-7100

Chapman Appl. Service
San Diego 619-298-7106

P & D Appliance
Commercial Parts & Service, Inc.
S. San Francisco 650-635-1900

COLORADO

Hawkins Commercial Appliance
Englewood 303-781-5548

FLORIDA

Whaley Foodservice Repair
Jacksonville 904-725-7800

Whaley Foodservice Repair
Orlando 407-757-0851

B.G.S.I./Heritage
Pompano Beach 954-971-0456

Comm. Appliance Service
Tampa 813-663-0313

GEORGIA

Heritage Service Group
Norcross 866-388-9837

HAWAII

Burney's Comm. Service, Inc.
Honolulu 808-848-1466

Food Equip Parts & Service
Honolulu 808-847-4871

ILLINOIS

Parts Town
Addison 708-865-7278

Eichenauer Elec. Service
Decatur 217-429-4229

Midwest Elec. Appl. Service
Elmhurst 630-279-8000

Cone's Repair Service
Moline 309-797-5323

IOWA

Goodwin Tucker Group
Des Moines 515-262-9308

KENTUCKY

Tech 24
Lexington 859-254-8854

Tech 24
Louisville 502-451-5411

LOUISIANA

Chandlers Parts & Service
Baton Rouge 225-272-6620

MARYLAND

Electric Motor Service
Baltimore 410-467-8080

MASSACHUSETTS

Ace Service Co., Inc.
Needham 781-449-4220

MICHIGAN

Bildons Appliance Service
Detroit 248-478-3320

Commercial Kitchen Service
Bay City 989-893-4561

Midwest Food Equip. Service
Grandville 616-261-2000

MISSOURI

General Parts
Kansas City 816-421-5400

Commercial Kitchen Services
St. Louis 314-890-0700

Kaemmerlen Parts & Service
St. Louis 314-535-2222

NEBRASKA

Anderson Electric
Omaha 402-341-1414

NEVADA

Burney's Commercial
Las Vegas 702-736-0006

Hi. Tech Commercial Service
N. Las Vegas 702-649-4616

NEW JERSEY

Jay Hill Repair
Fairfield 973-575-9145

Service Plus
Flanders 973-691-6300

NEW YORK

Alpro Service Co.
Maspeth 718-386-2515

Duffy's - AIS
Buffalo 716-884-7425

3Wire
Plattsburgh 800-634-5005

Duffy's - AIS
Sauquoit 800-836-1014

J.B. Brady, Inc.
Syracuse 315-422-9271

NORTH CAROLINA

Authorized Appliance
Charlotte 704-377-4501

OHIO

Akron/Canton Comm. Svc. Inc.
Akron 330-753-6634

Tech 24
Cincinnati 513-772-6600

Commercial Parts and Service
Columbus 614-221-0057

Electrical Appl. Repair Service
Brooklyn Heights 216-459-8700

E. A. Wichman Co.
Toledo 419-385-9121

OKLAHOMA

Hagar Rest. Service, Inc.
Oklahoma City 405-235-2184

OREGON

General Parts Group
Portland 503-624-0890

PENNSYLVANIA

Elmer Schultz Services
Philadelphia 215-627-5401

FAST Comm. Appl. Service
Philadelphia 215-288-4800

AIS Commercial Parts and Service
Pittsburgh 412-809-0244

K & D Service Co.
Harrisburg 717-236-9039

Electric Repair Co.
Reading 610-376-5444

RHODE ISLAND

Marshall Electric Co.
Providence 401-331-1163

SOUTH CAROLINA

Whaley Foodservice Repair
Lexington 803-996-9900

TENNESSEE

Camp Electric
Memphis 901-527-7543

TEXAS

Armstrong Repair Service
Houston 713-666-7100

Cooking Equipment Specialist
Mesquite 972-686-6666

Commercial Kitchen Repair Co.
San Antonio 210-735-2811

UTAH

La Monica's Rest. Equip. Service
Murray 801-263-3221

VIRGINIA

Daubers
Norfolk 757-855-4097

Daubers
Springfield 703-866-3600

WASHINGTON

3Wire
Seattle 800-207-3146

WISCONSIN

A.S.C., Inc.
Madison 608-246-3160

A.S.C., Inc.
Milwaukee 414-543-6460

CANADA

ALBERTA

Key Food Equipment Service
Edmonton 780-438-1690

BRITISH COLUMBIA

Key Food Equipment Service
Vancouver 604-433-4484

Key Food Equipment Service
Victoria 250-920-4888

MANITOBA

Air Rite, Inc.
Winnipeg 204-895-2300

NEW BRUNSWICK

EMR Services, Ltd.
Moncton 506-855-4228

ONTARIO

R.G. Henderson Ltd.
Toronto 416-422-5580

Choquette - CKS, Inc.
Ottawa 613-739-8458

QUÉBEC

Choquette - CKS, Inc.
Montreal 514-722-2000

Choquette - CKS, Inc.
Québec City 418-681-3944

UNITED KINGDOM

Marren Group
Northants +44(0)1933 665313

HATCO CORPORATION
P.O. Box 340500
Milwaukee, WI 53234-0500 U.S.A.
414-671-6350
partsandservice@hatcocorp.com
www.hatcocorp.com



24 Hour 7 Day Parts and Service
Assistance available in the United States
and Canada by calling 414-671-6350.