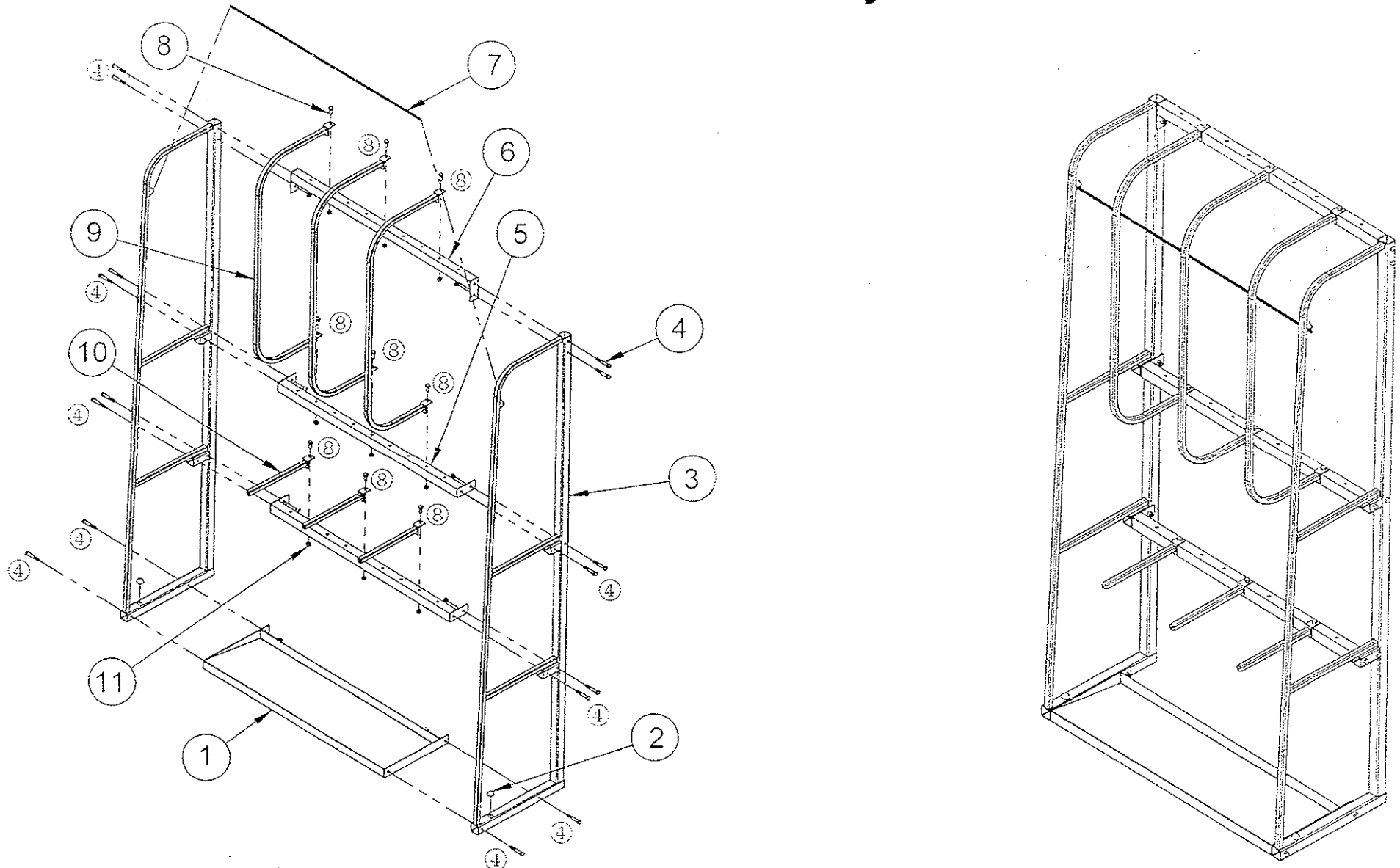


# EVR-106-S Assembly Instructions



- 1.Base (1pcs) 2.Cap(2pcs) 3.Vertical frame(2pcs) 4.Bolt  $\Phi 1/2-13UNC \times 3LG$ (16pcs)  
5.Lower horizontal cross bar(2pcs) 6.Upper horizontal cross bar(1pcs) 7.Chain((1pcs)  
8.Bolt  $\Phi 1/2-13UNC \times 1LG$  (9pcs) 9.Divider(3pcs) 10.Stabilizer(3pcs) 11.Hex nut  $1/2-13UNC$ (25pcs)