

EVNT4 No-Touch Napkin/Tampon Vendor

Capacity:

9 - #4 Sanitary Napkin Boxes
13 - Vended Tampons

Installation:

Mount directly to wall according to "EVNT4 Mounting Template" on the reverse side. Vendor must be secured with all four mounting apertures.

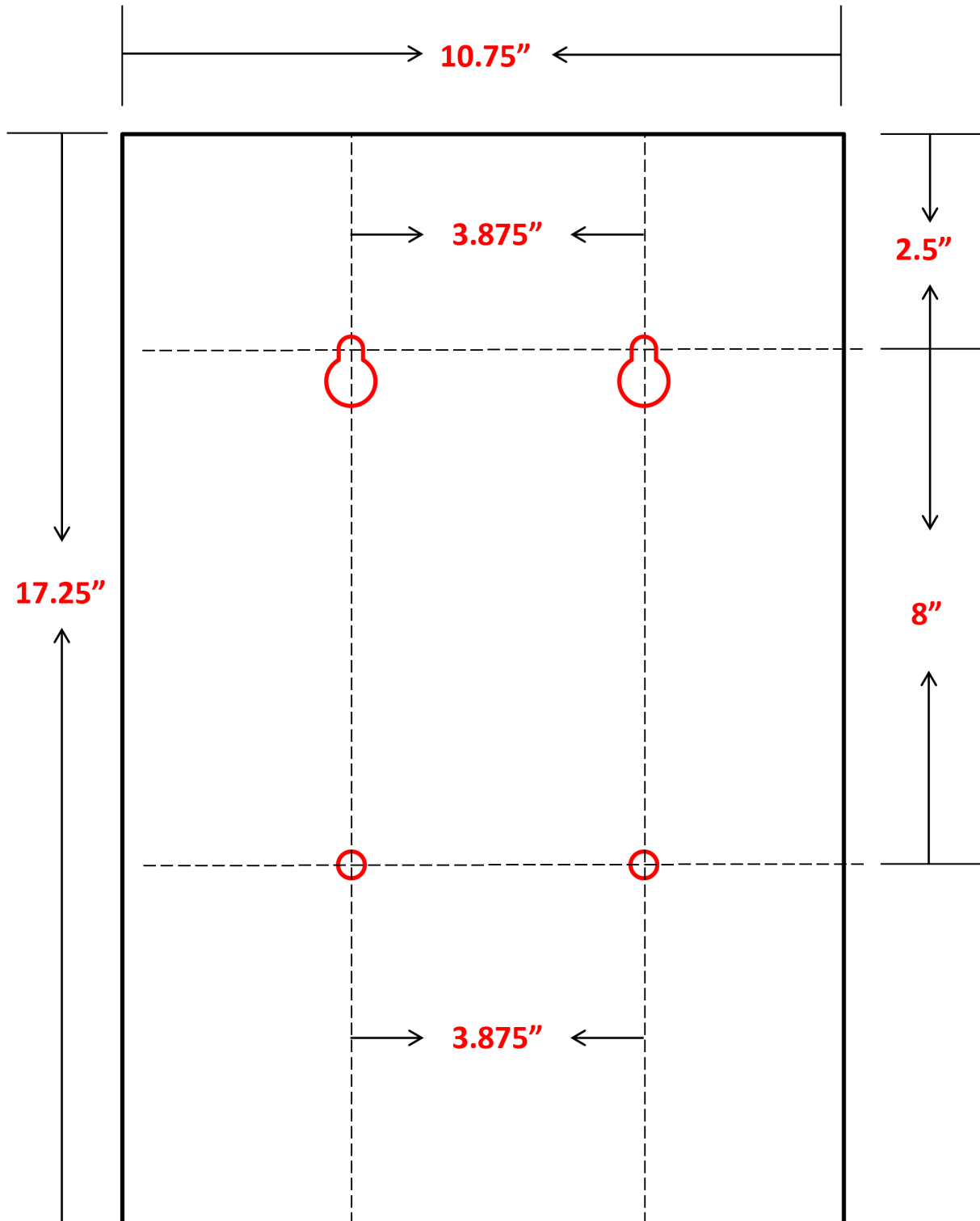
Overall Dimension:

10.75" W x 17.25" H x 6.5" D

ADA Guide:

Mount in an unobstructed location with hand hold indicator 39" to 44" above the floor to allow forward and side reach by persons in wheelchairs. This machine is operable with only one hand by holding the hand where indicated.

EVNT4 Mounting Template



P 800.942.9199 F 216.279.0019 www.hospecobrand.com
Address 26301 Curtiss-Wright Parkway, Suite 200, Cleveland, OH 44143