



# MEAT CURING CABINET

---

**#348MCC220** • 220 lb. • 120V

11/2025

# INDEX

Body and Components..... 3  
Door Assembly ..... 5  
Controller Assembly..... 6  
Wiring Diagram .....7



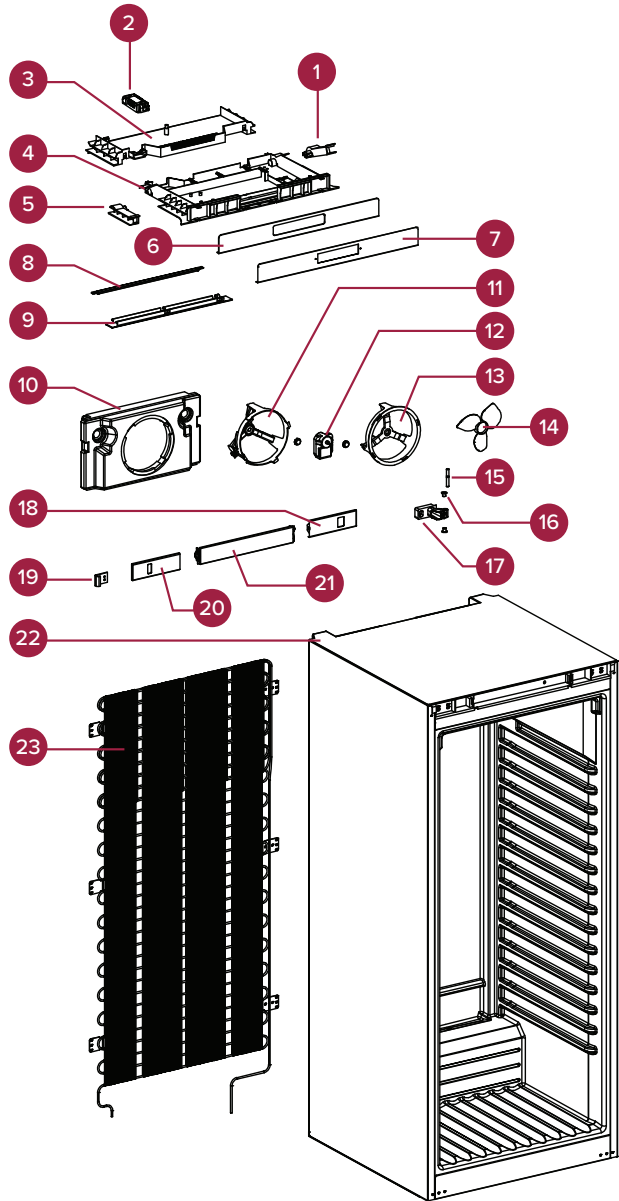
---

CONFORMS TO UL STD. 60335,  
CAN/CSA-C22.2 NO. 60335  
CONFORMS TO NSF/ANSI STD. 7

# BODY AND COMPONENTS

## (PART 1)

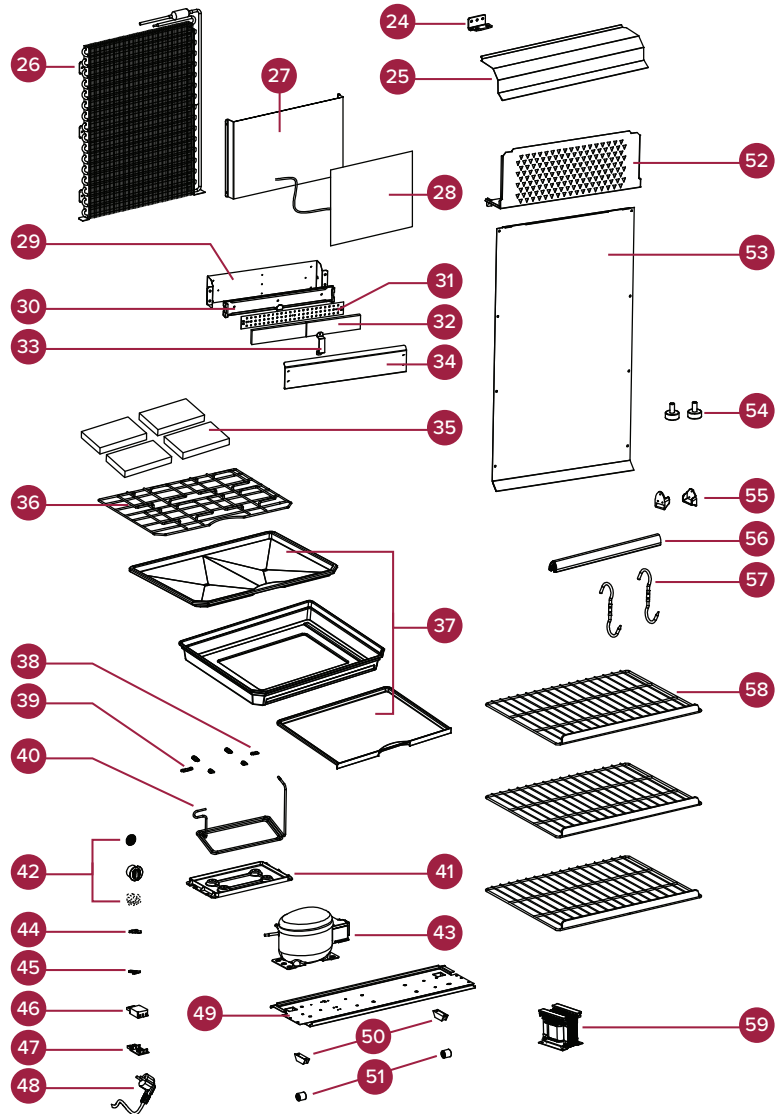
| KEY | DESCRIPTION                 | ITEM NUMBER | QTY |
|-----|-----------------------------|-------------|-----|
| 1   | CONTROL PANEL RIGHT BRACKET | —           | 1   |
| 2   | LED POWER DRIVE             | 36059925    | 1   |
| 3   | TOP VENT PANEL              | —           | 1   |
| 4   | TOP CONTROL PANEL           | —           | 1   |
| 5   | CONTROL PANEL LEFT BRACKET  | —           | 1   |
| 6   | POWER SUPPLY PANEL          | —           | 1   |
| 7   | FRONT PANEL                 | —           | 1   |
| 8   | LED LIGHT                   | 34813998    | 1   |
| 9   | LIGHT COVER                 | —           | 1   |
| 10  | EVAPORATOR MOTOR INSULATION | —           | 1   |
| 11  | MOTOR FRAME BOTTOM          | —           | 1   |
| 12  | EVAPORATOR FAN MOTOR        | 34819993    | 1   |
| 13  | MOTOR FRAME TOP             | —           | 1   |
| 14  | EVAPORATOR FAN BLADE        | 34819780    | 1   |
| 15  | DOOR PIN                    | 34819152    | 1   |
| 16  | UPPER DOOR BUSHING          | 34818996    | 4   |
| 17  | TOP DOOR HINGE              | 34813428    | 1   |
| 18  | DOOR AXEL TRIM              | —           | 1   |
| 19  | LOCK PLATE                  | —           | 1   |
| 20  | LOCK TRIM                   | —           | 1   |
| 21  | MAGNETIC PLATE              | —           | 1   |
| 22  | CABINET                     | —           | 1   |
| 23  | CONDENSER COIL              | 34812632    | 1   |



# BODY AND COMPONENTS

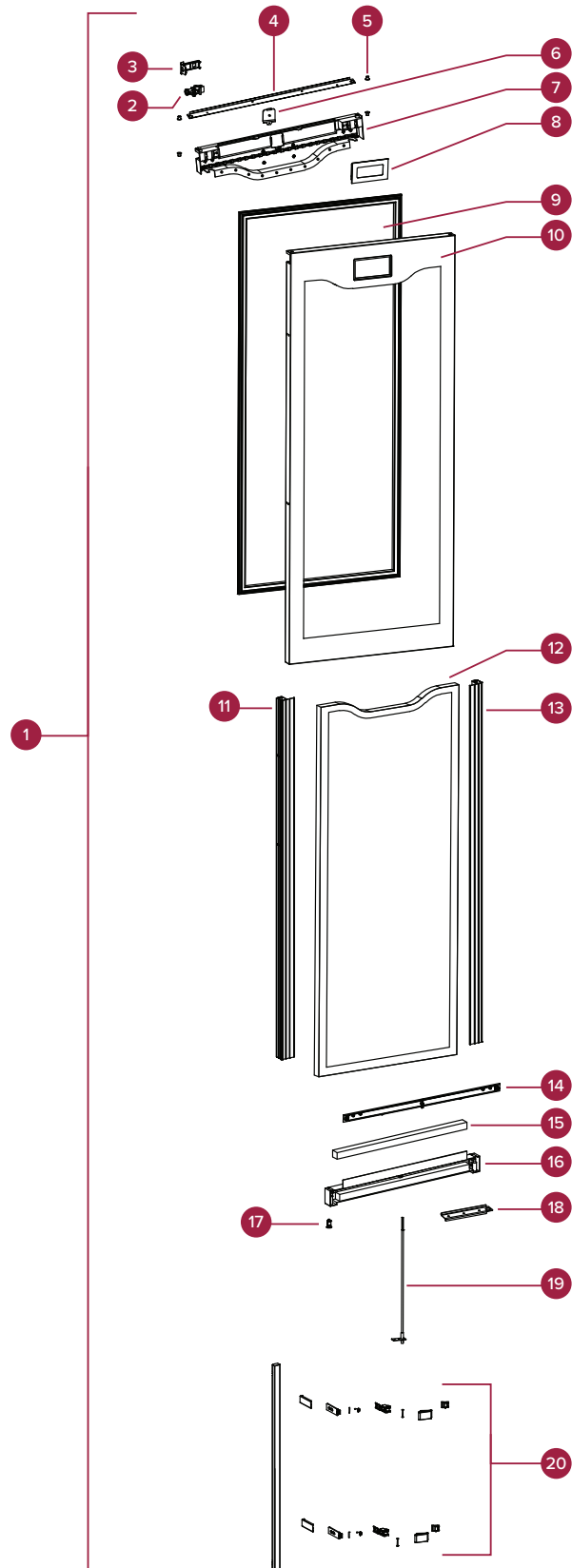
## (PART 2)

| KEY | DESCRIPTION                   | ITEM NUMBER   | QTY |
|-----|-------------------------------|---------------|-----|
| 24  | BOTTOM DOOR HINGE             | 34812374      | 1   |
| 25  | DIVERTER PLATE                | —             | 1   |
| 26  | EVAPORATOR COIL               | 34815657      | 1   |
| 27  | ELEMENT MOUNTING PLATE        | —             | 1   |
| 28  | DEFROST ELEMENT               | 34812282      | 1   |
| 29  | PHOTOCATALYST MOUNTING PLATE  | —             | 1   |
| 30  | PHOTOCATALYST PLATE BRACKET   | —             | 1   |
| 31  | UV LED LIGHT                  | 34818208      | 1   |
| 32  | PHOTOCATALYST FILTER          | 34814487      | 2   |
| 33  | PHOTOCATALYST BAFFLE          | —             | 1   |
| 34  | PHOTOCATALYST COVER           | —             | 1   |
| 35  | SALT BLOCKS                   | 348PMCCSALT   | 4   |
| 36  | SHELF FOR SALT BLOCKS         | 34815670      | 1   |
| 37  | WATER TANK ASSEMBLY           | 34813575      | 1   |
| 38  | DOUBLE HOLED TUBE CLAMP       | —             | 3   |
| 39  | TRIPLE HOLED TUBE CLAMP       | —             | 3   |
| 40  | COPPER TUBE                   | —             | 1   |
| 41  | DRAIN PAN                     | 34814726      | 1   |
| 42  | AIR FILTER ASSEMBLY           | 348PMCCFILTER | 1   |
| 43  | COMPRESSOR                    | 34814245      | 1   |
| 44  | CABLE CLAMP COVER             | —             | 1   |
| 45  | CABLE CLAMP SEAT              | —             | 1   |
| 46  | CONNECTOR COVER               | —             | 1   |
| 47  | CONNECTOR BOX                 | —             | 1   |
| 48  | POWER CORD                    | —             | 1   |
| 49  | COMPRESSOR BASE PLATE         | —             | 1   |
| 50  | FOOT                          | 34819147      | 2   |
| 51  | ROLLER WHEEL                  | 34812523      | 2   |
| 52  | TOP EVAPORATOR COVER PLATE    | —             | 1   |
| 53  | BOTTOM EVAPORATOR COVER PLATE | —             | 1   |
| 54  | ADJUSTABLE FOOT               | 34816654      | 2   |
| 55  | HANGER SUPPORT                | 34816387      | 2   |
| 56  | HANGER                        | 34813549      | 1   |
| 57  | SWIVEL HOOK                   | 348PMCCHOOK   | 1   |
| 58  | SHELF                         | 348PMCCSHELF  | 3   |
| 59  | TRANSFORMER                   | 34811906      | 1   |



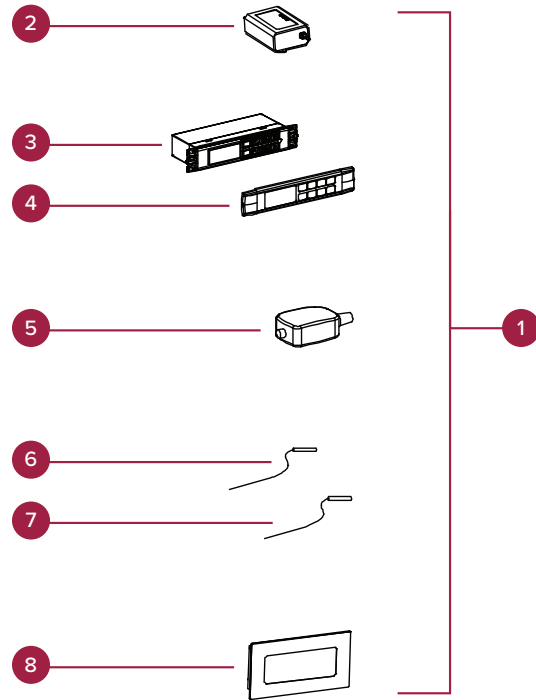
# DOOR ASSEMBLY

| KEY | DESCRIPTION                     | ITEM NUMBER | QTY |
|-----|---------------------------------|-------------|-----|
| 1   | DOOR ASSEMBLY                   | 34815444    | 1   |
| 2   | LOCK AND KEY SET                | 34816245    | 1   |
| 3   | LOCK COVER                      | —           | 1   |
| 4   | UPPER DOOR FRAME SUPPORT        | —           | 1   |
| 5   | UPPER DOOR BUSHING              | 34818996    | 4   |
| 6   | TEMPERATURE CONTROL COVER PLATE | —           | 1   |
| 7   | UPPER DOOR FRAME                | —           | 1   |
| 8   | LCD DISPLAY                     | 34813768    | 1   |
| 9   | DOOR GASKET                     | 348GSK17889 | 1   |
| 10  | DOOR PANEL                      | —           | 1   |
| 11  | LEFT DOOR FRAME                 | —           | 1   |
| 12  | DOOR GLASS                      | —           | 1   |
| 13  | RIGHT DOOR FRAME                | —           | 1   |
| 14  | LOWER DOOR FRAME PLATE          | —           | 1   |
| 15  | DOOR INSULATION                 | —           | 1   |
| 16  | LOWER DOOR FRAME                | —           | 1   |
| 17  | LOWER DOOR BUSHING              | 34817391    | 1   |
| 18  | LOWER DOOR FRAME SUPPORT        | —           | 1   |
| 19  | SPRING ROD                      | 34816056    | 1   |
| 20  | HANDLE ASSEMBLY                 | 34819648    | 1   |



# CONTROLLER ASSEMBLY

| KEY | DESCRIPTION            | ITEM NUMBER | QTY |
|-----|------------------------|-------------|-----|
| 1   | CONTROLLER ASSEMBLY    | 34814170    | 1   |
| 2   | UV LIGHT DRIVER        | 34816952    | 1   |
| 3   | TEMPERATURE CONTROLLER | —           | 1   |
| 4   | CONTROLLER COVER PLATE | —           | 1   |
| 5   | HUMIDITY PROBE         | 34817885    | 1   |
| 6   | SENSOR PROBE           | 34813547    | 2   |
| 7   | HIGH TEMPERATURE PROBE | 19386286    | 1   |
| 8   | LCD DISPLAY            | 34813768    | 1   |



# WIRING DIAGRAM

