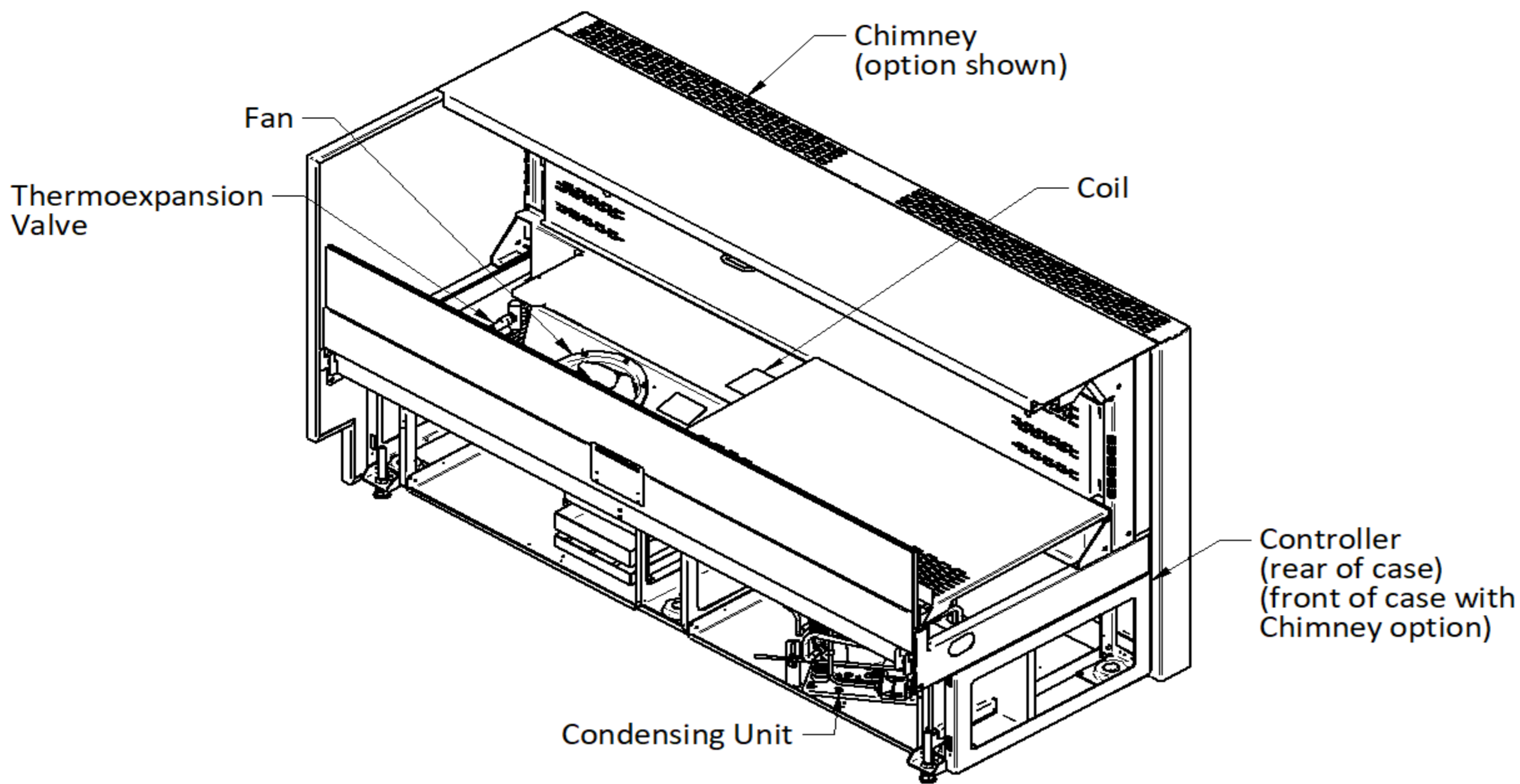


COVERS MODELS:
FS-OB-1017-58A

October 2025

DOE 2017
Energy Efficiency
Compliant


NSF Certification
This merchandiser model is manufactured to meet NSF/ANSI (National Sanitation Foundation) Standard #7 requirements for construction, materials and cleanability.



Intertek



Intertek

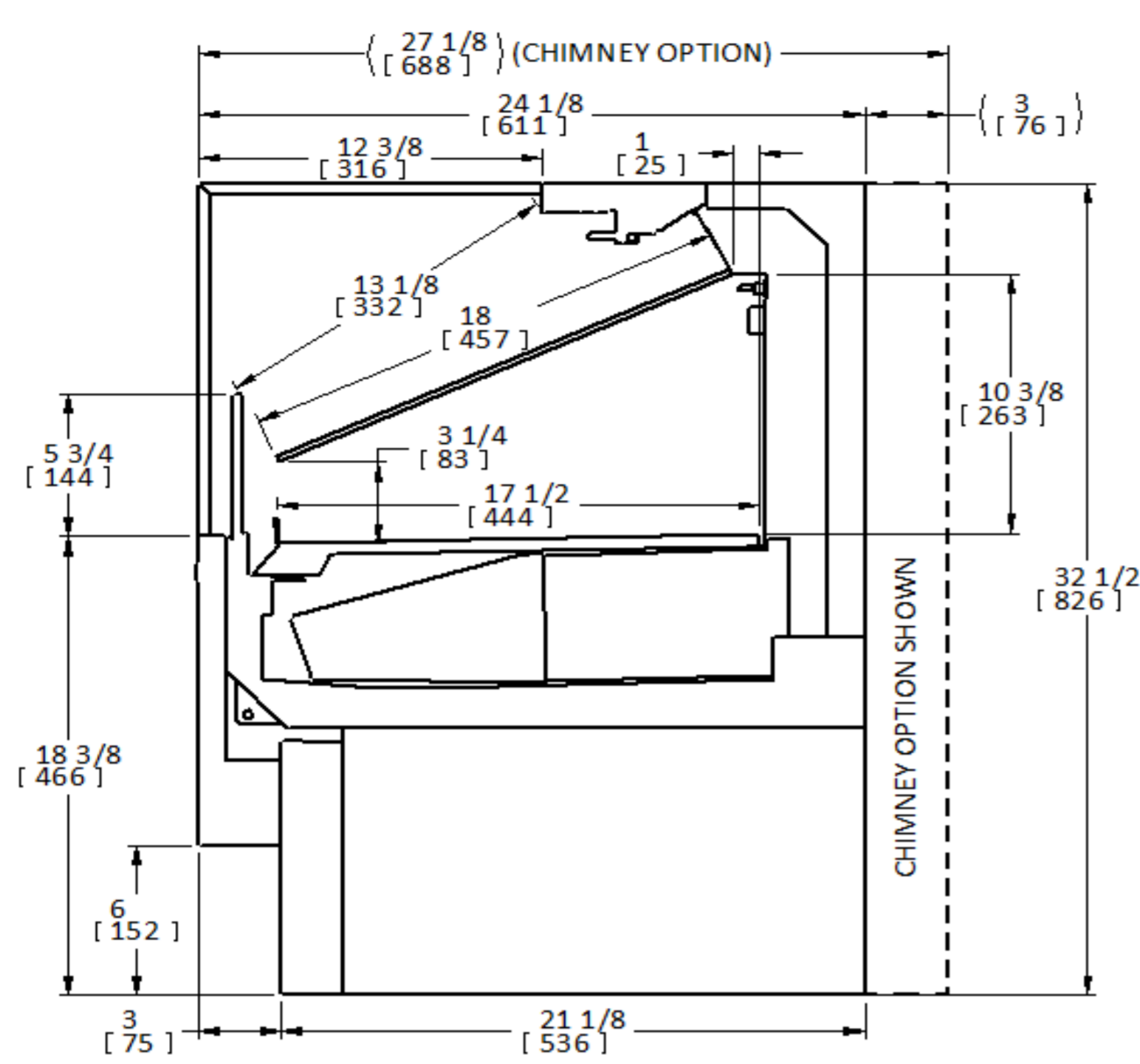


Scan the QR code with your mobile device to access additional product information or order parts.

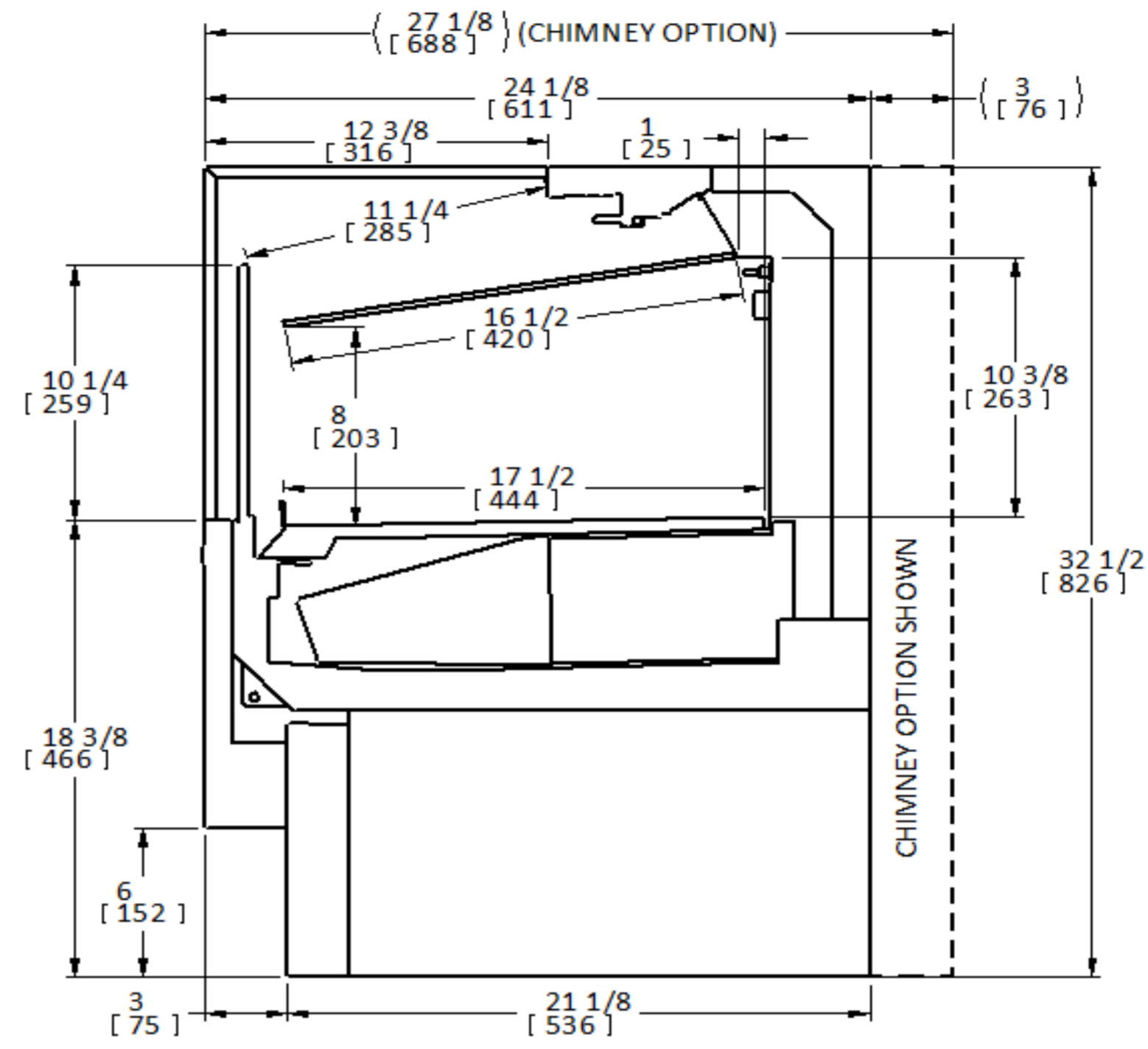
Parts may also be ordered at:
parts.husmann.com
Call toll free: 1.855.487.7778

We reserve the right to change or revise specifications and product design in connection with any feature of our products. Such changes do not entitle the buyer to corresponding changes, improvements, additions or replacements for equipment previously sold or shipped.

Case Section

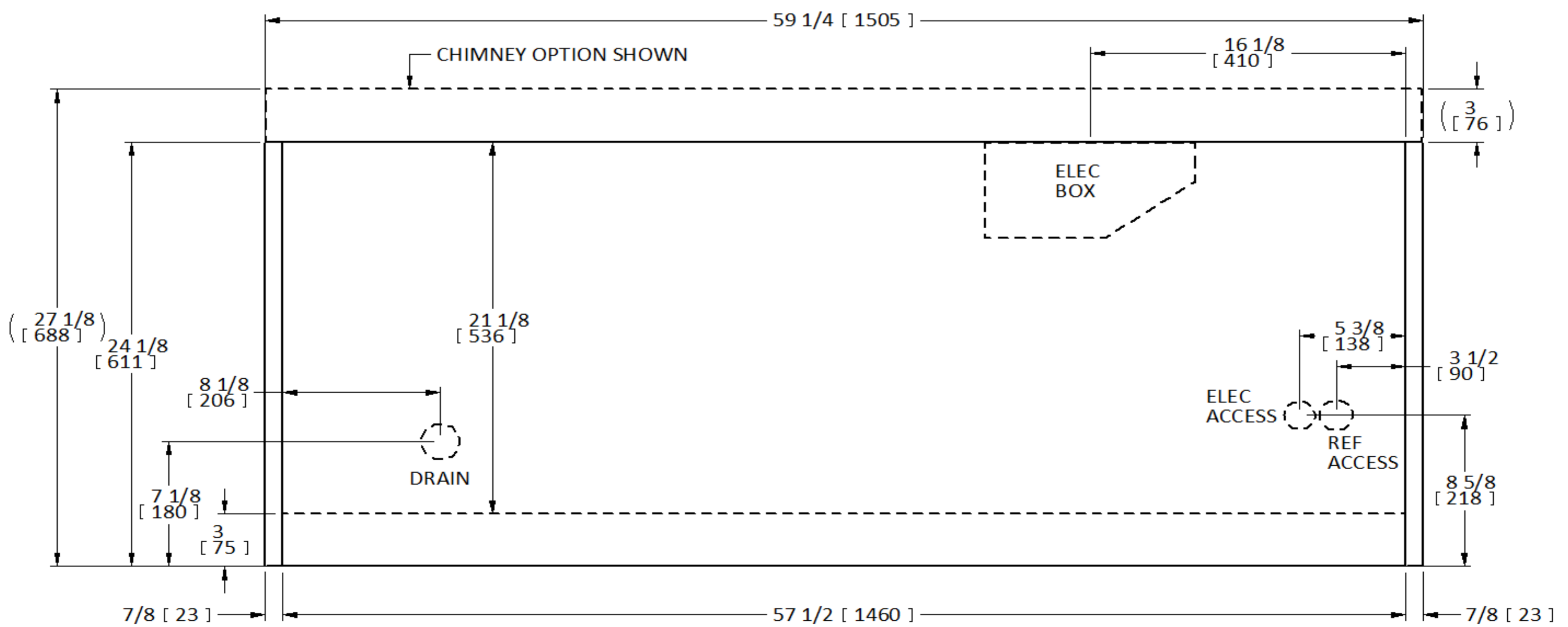


STD FRONT SILL GLASS



TALL FRONT SILL GLASS

Case Plan View



REFRIGERATION DATA & DEFROST			
Model	Data Type	T1 Deli	T2 Deli
FS-OB-1017-58A	Setpoint [°F]	25	21
	Differential [°F]	6	6
	Avg Discharge Air [°F]	27-28	23-24
	Discharge Velocity [fpm]	20-55	20-55
	Avg Evap [°F]	19-20	17-18
	Conventional Load [BTUH]	2443	2809
	Frequency [# per day]	6	6
	Off Time [min]	25	25
	Termination [°F]	48	48

Revision History

Revision A: 7/03/2025:
Original Issue.
Rev. B: 9/30/25
Rev C: 10/28/25

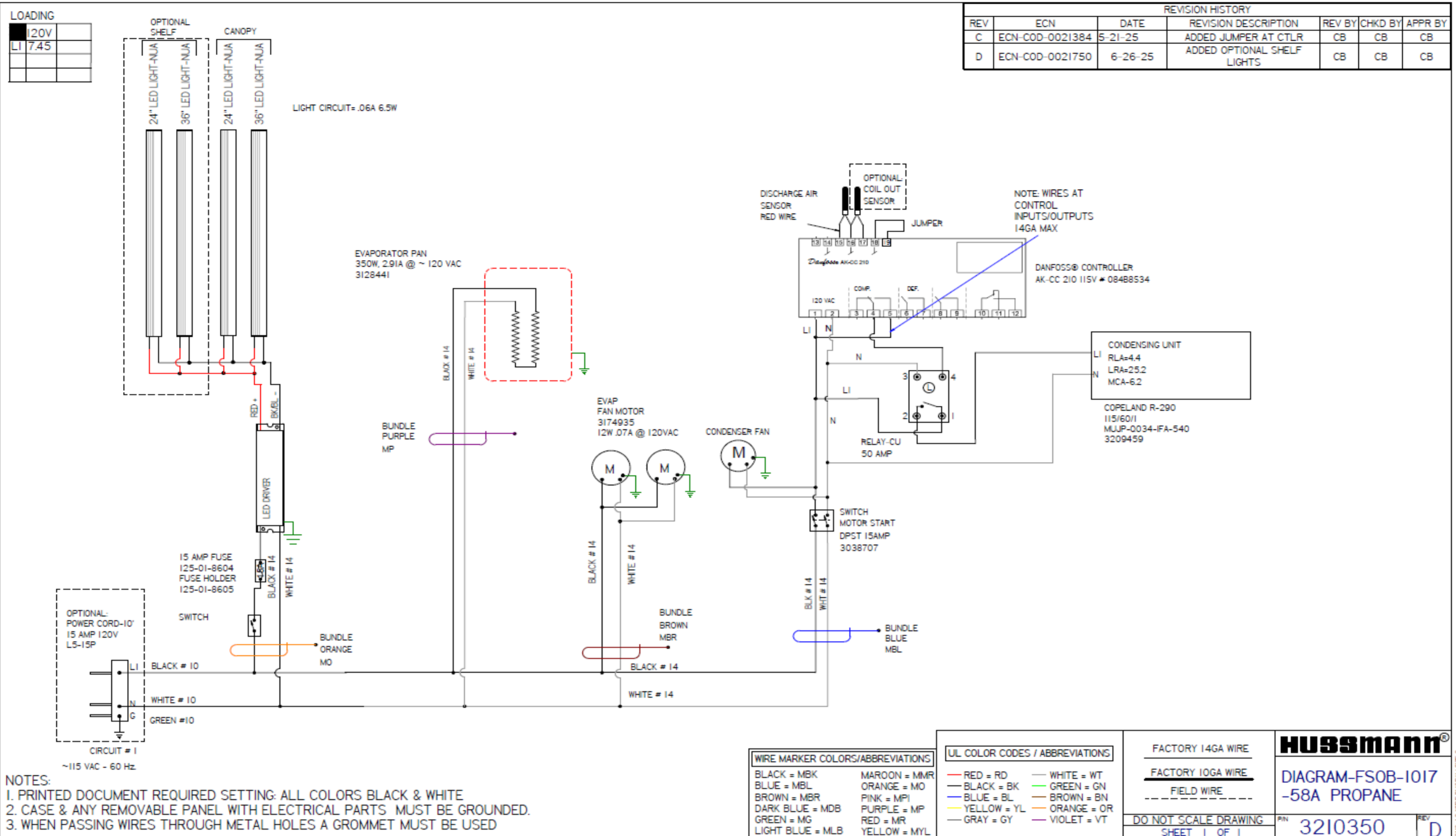
PHYSICAL					
DIMENSIONS <small>in. (mm)</small>		SHELVES		LINE SIZES	
Length <small>in. (mm)</small>	59.25 (1505)	Shelf Area <small>ft² (m²)</small>	2.3 (0.21)	Liquid <small>(in.)</small>	1/4
Depth <small>in. (mm)</small>	24.13 (613)	Usable Cube <small>ft³ (m³)</small>	7.2 (0.20)	Suction <small>(in.)</small>	3/8
Height <small>in. (mm)</small>	32.50 (826)	Rows Min. Count	0	Drain <small>(in)</small>	2.00
		Rows Max. Count	1		
		Slant <small>(degrees)</small>	5		
		Shelf Depths <small>in. (mm)</small>	6 (152)		

ENERGY	
Ref Vol. <small>(ft²)</small>	7.15
TDA	5.51
TDEC <small>(kW/hr/day)</small>	10.67
LIMIT <small>(kW/hr/day)</small>	13.95

Refrigerant	
TYPE	R290
CHARGE <small>g (lb)</small>	130(0.29)

NOTES
<ol style="list-style-type: none"> All data based on store temperature and humidity that does not exceed NSF Type 1 ambient conditions of 75°F and 55% relative humidity, except where noted. Data for operation in NSF Type 2 ambient of 80°F and 55% relative humidity, where applicable. AHRI 1200 Rating Point for energy consumption comparison only. Add 10 Btu/hr/ft (9.6 Watts/m) per shelf row for LED shelf light fixtures. Reduce refrigeration load by 15%, if fitted with CaseShieldPTM. Coil superheat can be checked via coil in vs coil out temperature measurements. Use Tcoilin - Tcoilout = Superheat

REVISION HISTORY						
REV	ECN	DATE	REVISION DESCRIPTION	REV BY	CHKD BY	APPR BY
C	ECN-COD-0021384	5-21-25	ADDED JUMPER AT CTRLR	CB	CB	CB
D	ECN-COD-0021750	6-26-25	ADDED OPTIONAL SHELF LIGHTS	CB	CB	CB



ELECTRICAL			
TOTAL CASE ELECTRICAL		ELECTRICAL DETAILS	
VOLTS	120V	Fans	
MCA	15	Count	2
MOP	15	RPM	1100
Single Phase / 60Hz		Blade	28
Connection		Total Amps	0.14
PLUG		Total Watts	24
Standard		Max Lights (Optional)	
Optional		Total Amps	0.95
		Total Watts	80.00
		Condensate Pan Heater	
		TYPE	RESISTANCE
		Total Amps	2.91
		Watts	350
		Condensing Unit	
		HP	0.34
		Capacity (BTU/hr)	2740
		RLA	4.4
		LRA	25.2
		Watts	384
		Heat Rej. (BTU/hr)	3756