

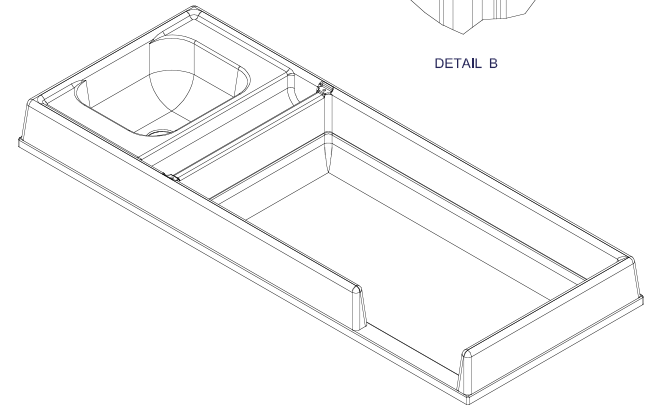
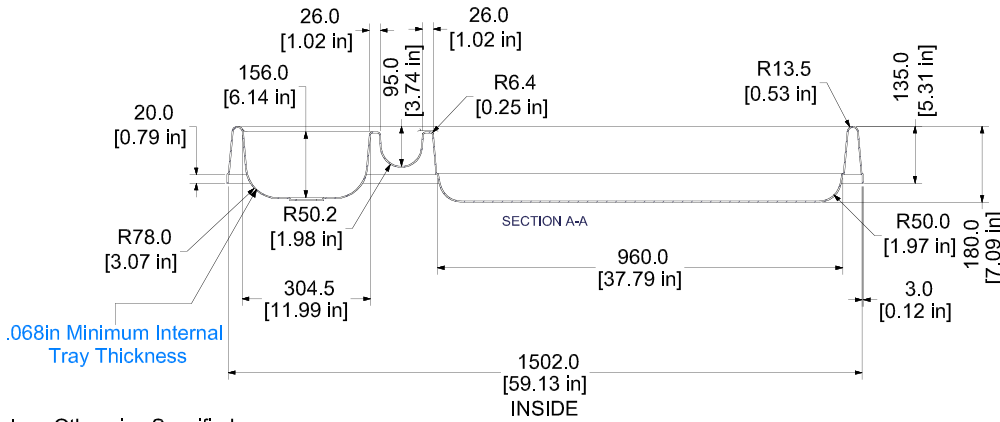
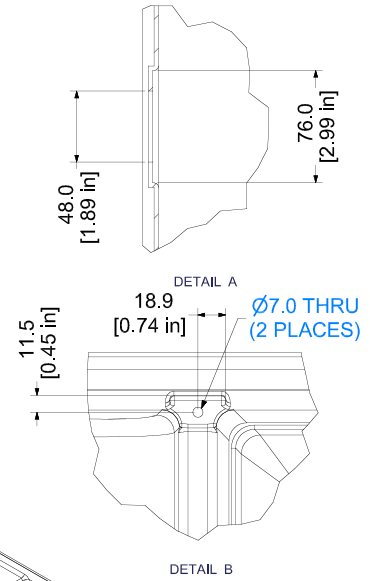
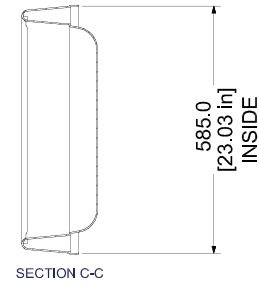
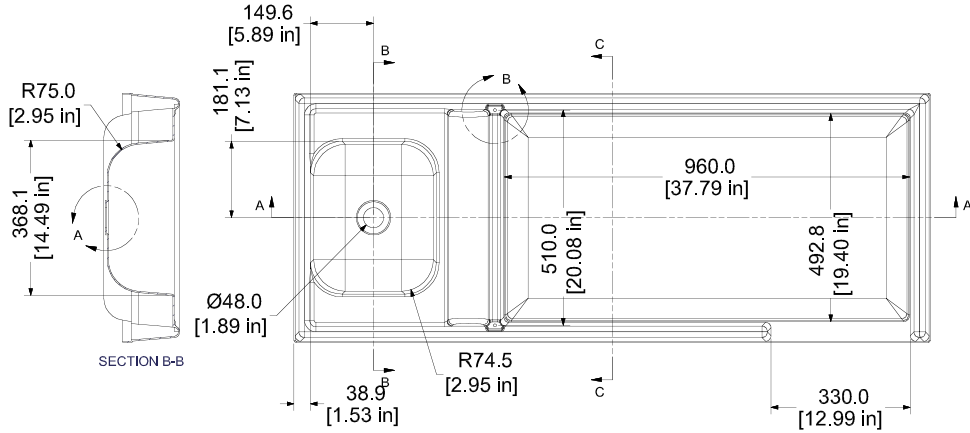
4

3

2

1

MATERIAL: ABS
COLOR: WHITE



NOTE:
Ø7.0 HOLES TO BE 510.0 APART (CENTER TO CENTER)

NOTES:
All Dimensions Metric Unless Otherwise Specified

P:\HARDWARE\1063-0878.dwg, 8/9/2016 9:19:28 AM

704 W. Main St. Teutopolis, IL 62467
(217) 540-3100

STEVENS

Industries, Inc.
...The Solutions Company

This Drawing and all information contained herein is the sole property of Stevens Industries, Inc. The use or reproduction of this drawing is prohibited without express written permission of Stevens Industries, Inc.

Tolerances Unless Otherwise Noted:

English:

X.X = ± 1/16"
X.XX = ± .015"
X.XXX = ± .003"
X.XXXX = ± .001"
X.XXXXX = ± .0005"

Metric:

X. = ± .5mm
X.X = ± .1mm
X.XX = ± .05mm
Angles:
X = ± 1.0°
X.X = ± 0.5°
X.XX = ± 0.1°

Description:

TOP CHANGE TABLE 5' SINK LS

Item Number:

1063-0878

Author:

DWC

8/9/16

Page
of

1

1

Drawing Number:

1063-0878

Path:

4

3

2

1