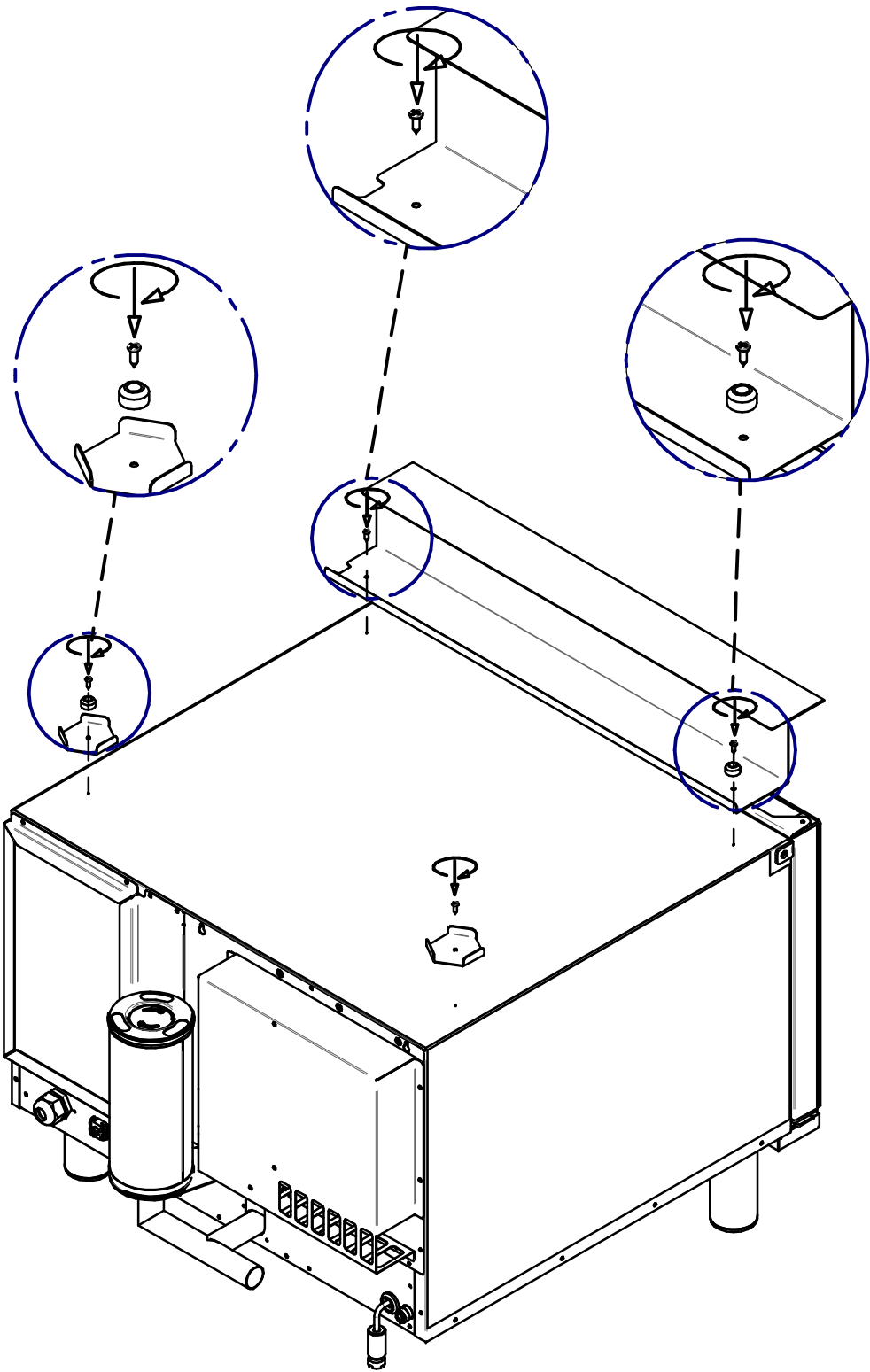


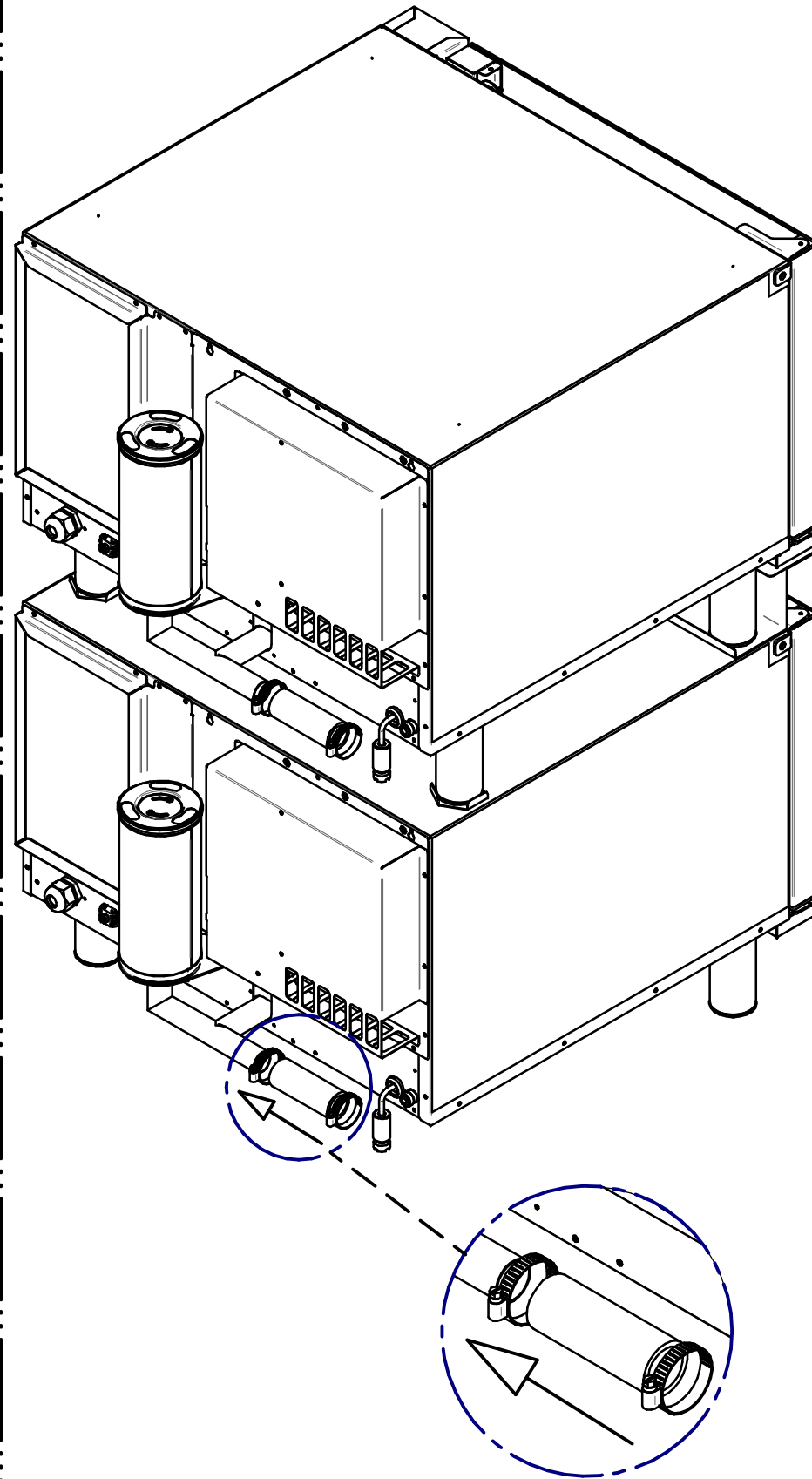
# SK32

## 50LIB00175

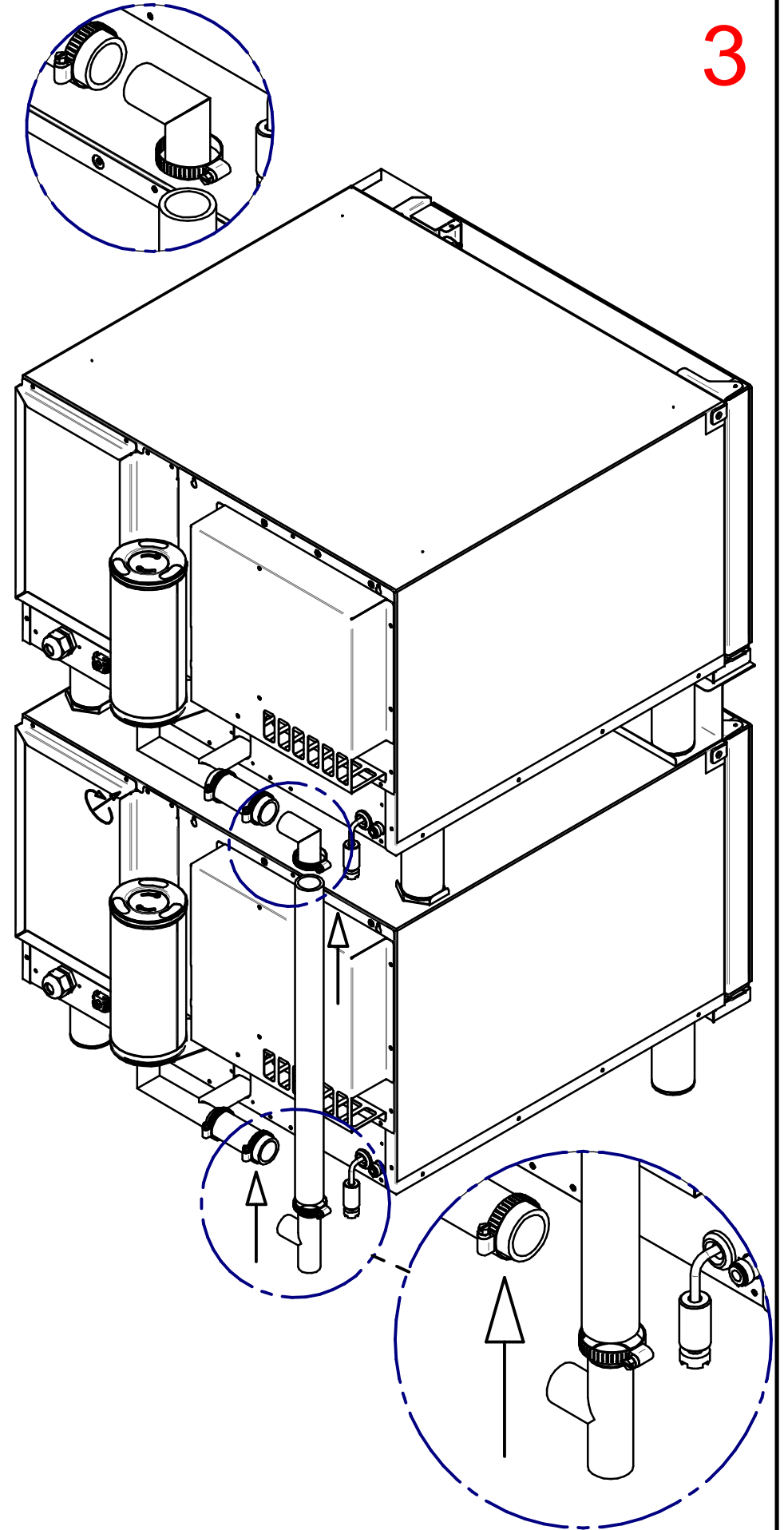
### 1



### 2



### 3



Date				
Revision No	1	2	3	4

Released:  
24/05/2019

Description :  
**SK32 KIT SOVRAPP. HOP AIR + HOP AIR**

Scale :  
1:8

A3  
mm

Drawing by:  
PREVEDELLO M.

Page No:  
Pag. 1 of 1

Filename:  
**50LIB00175**