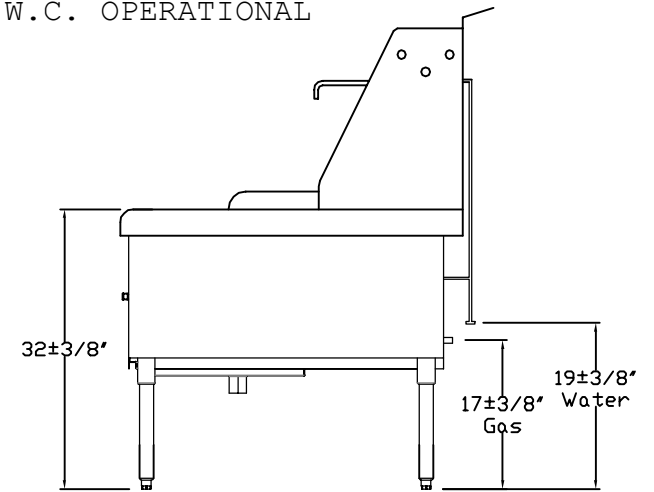


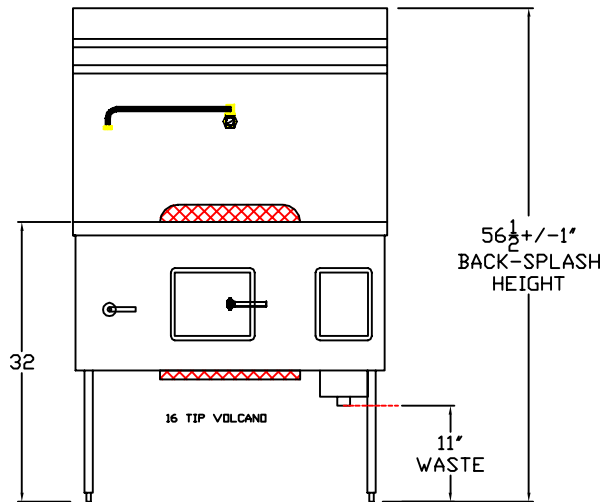
**CLARK ITEM # 885Y1SSN13**

**Y-1-SS - NATURAL GAS**

- 16 TIP VOLCANO BURNER (75 MBTUH) \*
- STANDING PILOT
- STAINLESS STEEL DECK AND CHASSIS
- TOTAL INPUT: 75 MBTUH @ 6" W.C. OPERATIONAL



GENERIC SIDE VIEW



FRONT VIEW

PAGE 1 OF 2 (GENERAL REPRESENTATION)			
CUSTOMER: CLARK FOOD SERVICE			
<b>JOB#:</b> 33(A)	<b>UNIT QUANTITY:</b> 1		
UNLESS OTHERWISE SPECIFIED; DIMENSIONS ARE IN INCHES TOLERANCES ARE: FRACTIONS: ±1/8 DECIMALS: .XX ±.125 ANGLES: ±1	THIS DRAWING IS THE PROPERTY OF TOWN FOOD. IT MAY NOT BE REPRODUCED, DUPLICATED OR OTHERWISE COPIED WITHOUT PRIOR WRITTEN AUTHORIZATION		
<b>TOWN</b>			
72 Beadel St., Brooklyn, NY 11222			
DR. BY: DS	DATE: 7/7/2023	DWG. NO. A-33-A-1	REV. A
CHK. BY: DS	DATE: 7/7/2023		SCALE: 1:1