

XR-15, XR-20, AND XR-30

# COFFEE ROASTER WITH EXTERNAL CYCLONE

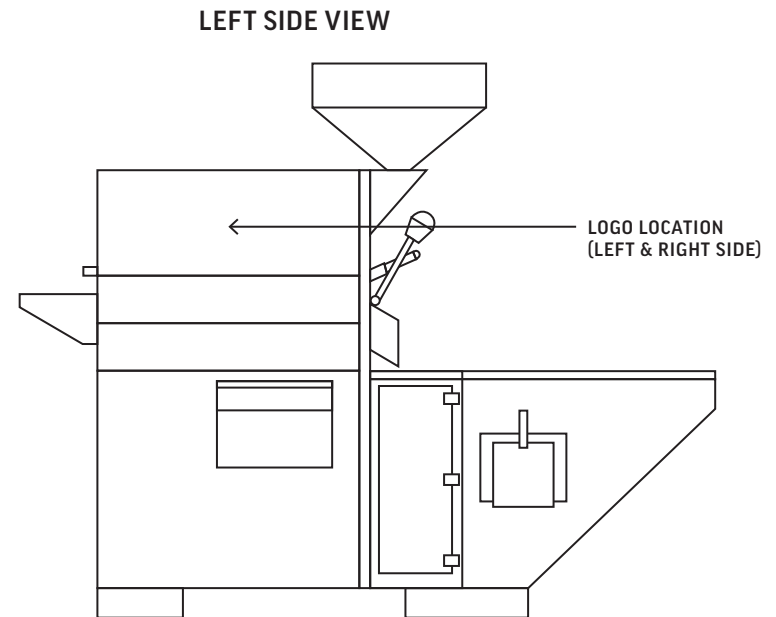
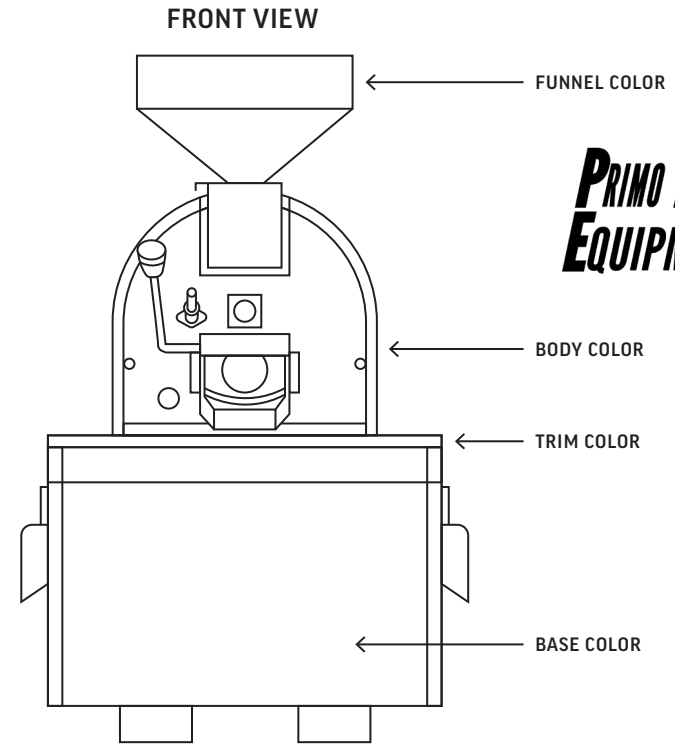
**PRIMO ROASTING  
EQUIPMENT**

## ROASTER COLORS AND LOGOS

ACCESSORY TYPE	OPTIONS	NOTES
Item Number		
Body Color		When any variations of these color options are selected it is considered the design package which costs \$1,750.00
Trim Color		
Funnel Color		
Base Color		
Logo Dropbox		
Logo Material	<input type="checkbox"/> Vinyl - \$300 <input type="checkbox"/> Stainless Steel - \$850	
Logo Location	XR-15: Right Side, Left Side	Logos can be placed on the sides of the base or on the front of machine, depending on what machine.  Logos can either be made with vinyl or metal (dependent on details in logo).
	XR-20: Right Side, Left Side	
	XR-30: Right side, Left Side	

## ROASTER INTERNAL FEATURES

ACCESSORY TYPE	OPTIONS	NOTES
Burners	<input type="checkbox"/> Infrared <input type="checkbox"/> Aspirated - \$2,000	Infrared is standard
Drum Wall Type	<input type="checkbox"/> Single Wall <input type="checkbox"/> Double Wall - \$500	Single Wall is standard
Drum Speed	<input type="checkbox"/> Automatic <input type="checkbox"/> Manual - \$500	Automatic is standard
Airflow	<input type="checkbox"/> Automatic <input type="checkbox"/> Manual - \$500	Automatic is standard



## ROASTER EXTERNAL ACCESSORIES

ACCESSORY TYPE	OPTIONS	NOTES
Accessory Destoner & Storage Silo	<input type="checkbox"/> No <input type="checkbox"/> Yes - \$9,500	
Accessory Destoner without Silo	<input type="checkbox"/> No <input type="checkbox"/> Yes - \$6,975	
Green Coffee Loader	<input type="checkbox"/> No <input type="checkbox"/> Yes - \$3,000	
Hopper Scale	<input type="checkbox"/> No <input type="checkbox"/> Yes - \$1,995	
Industrial Afterburner	<input type="checkbox"/> No <input type="checkbox"/> Yes - \$18,900	

## CUSTOMER INFO

Email Address	
Phone Number	
Billing Name	
Billing Address	
Shipping Name <small>(IF DIFFERENT FROM BILLING)</small>	
Shipping Address <small>(IF DIFFERENT FROM BILLING)</small>	
Shipping Phone Number <small>(IF DIFFERENT FROM BILLING)</small>	

## HOW TO ORDER

If you are interested in customization or pricing, please contact your preferred distributor at their contact email below.

**WebstaurantStore:** [customquote@webstaurantstore.com](mailto:customquote@webstaurantstore.com)

**The Restaurant Store:** [TRScustomorders@therestaurantstore.com](mailto:TRScustomorders@therestaurantstore.com)

**ClarkPro:** please contact your account manager

## ARTWORK REQUIREMENTS

Primo Roasting Equipment accepts any image format, like EPS, JPG, PDF or PSD. All must be high resolution and minimum of 300 DPI. The higher the resolution the better.

## COLOR CODES

1000	1001	1002	1003	1004	1005	1006	1007
1011	1012	1013	1014	1015	1016	1017	1018
1019	1020	1021	1023	1024	1027	1028	1032
1033	1034	2000	2001	2002	2003	2004	2008
2009	2010	2011	2012	3000	3001	3002	3003
3004	3005	3007	3009	3011	3012	3013	3014
3015	3016	3017	3018	3020	3022	3027	3031
4001	4002	4003	4004	4005	4006	4007	4008
4009	5000	5001	5002	5003	5004	5005	5007
5008	5009	5010	5011	5012	5013	5014	5015
5017	5018	5019	5020	5021	5022	5023	5024
6000	6001	6002	6003	6004	6005	6006	6007
6008	6009	6010	6011	6012	6013	6014	6015
6016	6017	6018	6019	6020	6021	6022	6024
6025	6026	6027	6028	6029	6032	6033	6034
7000	7001	7001	7002	7003	7004	7005	7006
7008	7009	7010	7011	7012	7013	7015	7016
7021	7022	7023	7024	7026	7030	7031	7032
7033	7034	7035	7036	7037	7038	7039	7040
7042	7043	7044	8000	8001	8002	8003	8004
8007	8008	8011	8012	8014	8015	8016	8017
8019	8022	8023	8024	8025	8028	9001	9002
9003	9004	9005	9010	9011	9016	9017	9018