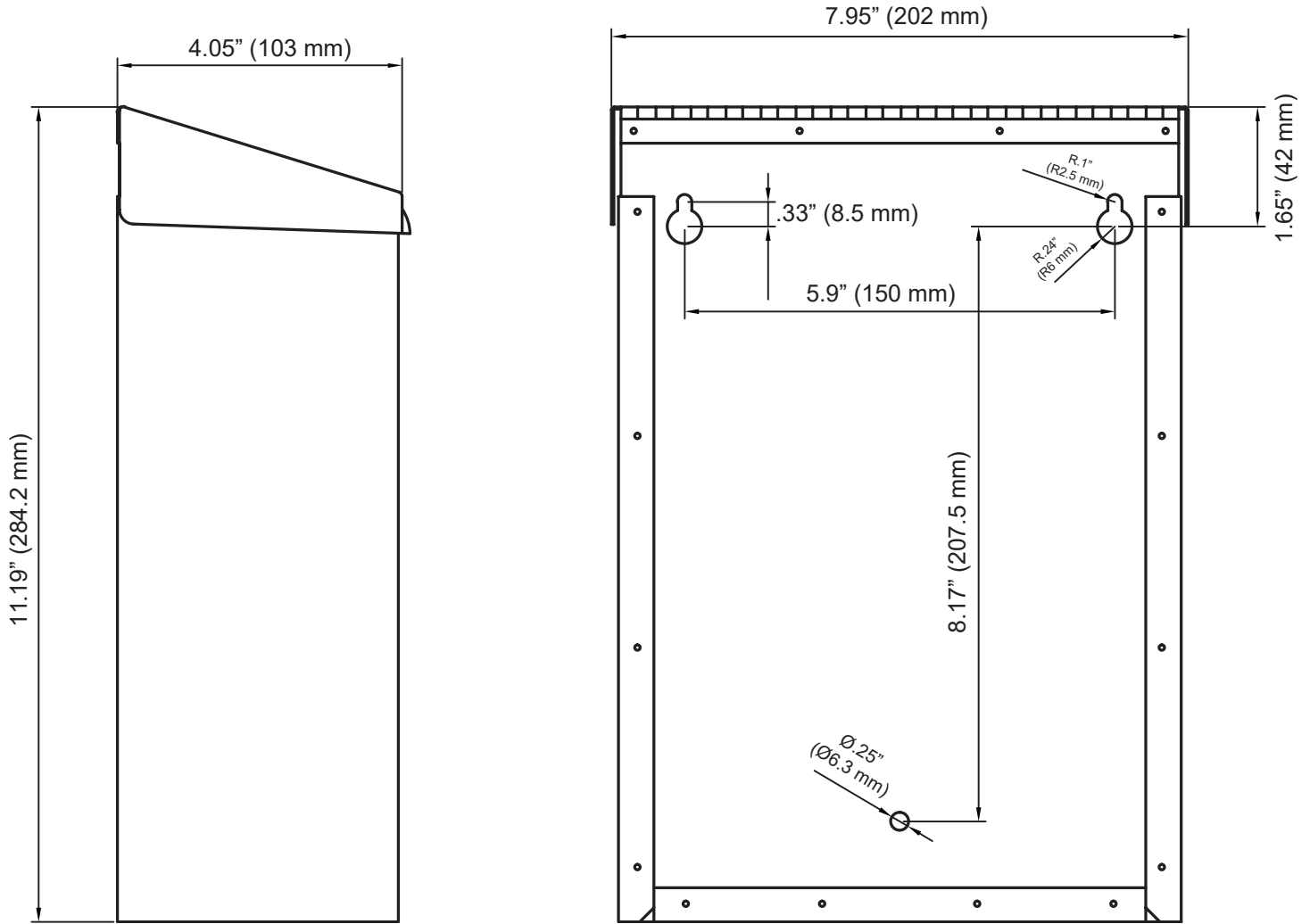


SCENSIBLES® COMBINATION RECEPTACLES
MOUNTING INSTRUCTIONS | ITEMS: CDWM, CDSS



REAR VIEW MOUNTING

MODEL NO. CDWM, CDSS

Mount Unit with (2) #10 x 1.5" Phillips pan head sheet metal screws and plastic anchors (included). Backing is recommended behind all surfaces. If wood blocking is not available, the following optional fasteners are suggested:

- Tile/Masonry - Plastic or lead anchors
- Plaster/Drywall - Toggle Bolts

INSTALLATION INSTRUCTIONS FOR SAMPLE LINER

Scensibles® SecureFit360® High Density Poly Liner Bags

scensibles®

View an Instructional
Video at:



Made with a strap that wraps around bottom of receptacle to secure in place and contain waste for safe removal.

ITEM# LBSF500HD

Universal liner for use on all makes and models of surface or wall mount plastic, metal, and stainless steel receptacles, including: Hospesco Brands Group (EVNT-CWR, CDSS, CDWM, ND-1E, ND-1W, 250-201W), Bobrick, Bradley, ASI and Impact

Size: 12.5" x 23" with 7.5" strap

Case Pack: 500/case



■ STEP 1

Insert the body of the bag into the receptacle with strap hanging in front.



■ STEP 2

Open bag slightly, then fold back over front and sides of receptacle. Close lid.



■ STEP 3

Pull gently on hanging strap to fit around bottom of receptacle. Open lid to adjust bag as needed to ensure proper fit.



■ STEP 4

To remove, pull up on strap around the bottom to discard contents.



CONTACT YOUR LOCAL REPRESENTATIVE OR CALL 800-942-9199 TO ORDER TODAY!