



T&S BRASS AND BRONZE WORKS, INC.

2 Saddleback Cove / P.O. Box 1088
Travelers Rest, SC 29690

**This Model is for Informational & Dimensional Purposes ONLY.
This is NOT a T&S Production Model at this Time**

Travelers Rest, SC: 800-476-4103 • Simi Valley, CA: 800-423-0150 • Fax: 864-834-3518 • www.tsbrass.com

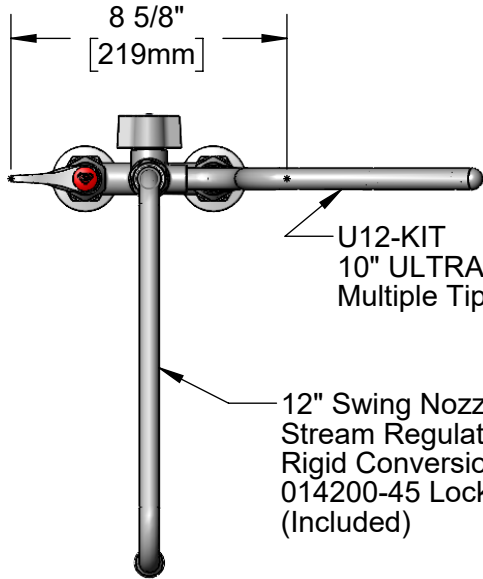
Model No.

B-0225 MOD

Item No.

MOD w/ EZ-K, 000357-40,

054X & U12-KIT



ADA Compliant

U12-KIT
10" ULTRARINSE 1.5 GPM
Multiple Tip Spray Arm

12" Swing Nozzle w/
Stream Regulator Outlet.
Rigid Conversion Requires
014200-45 Lock Washer
(Included)

This Space for Architect/Engineer Approval

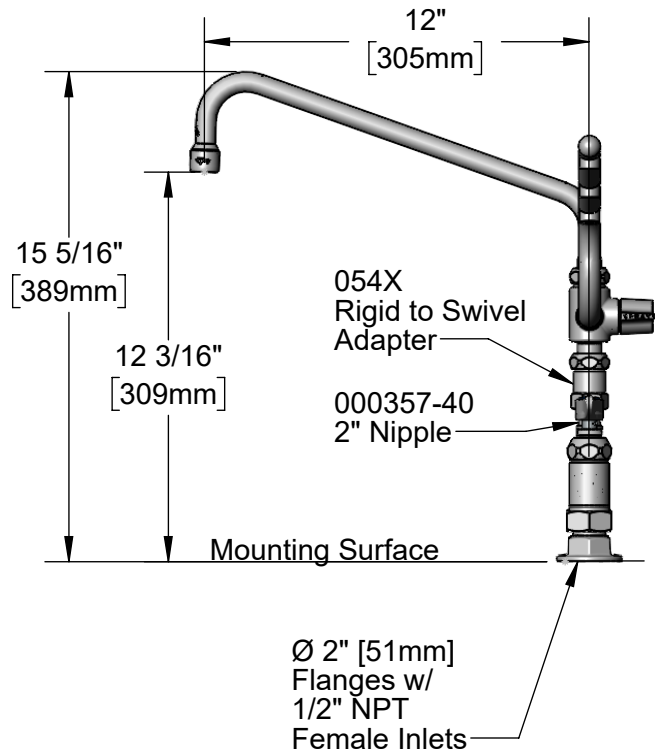
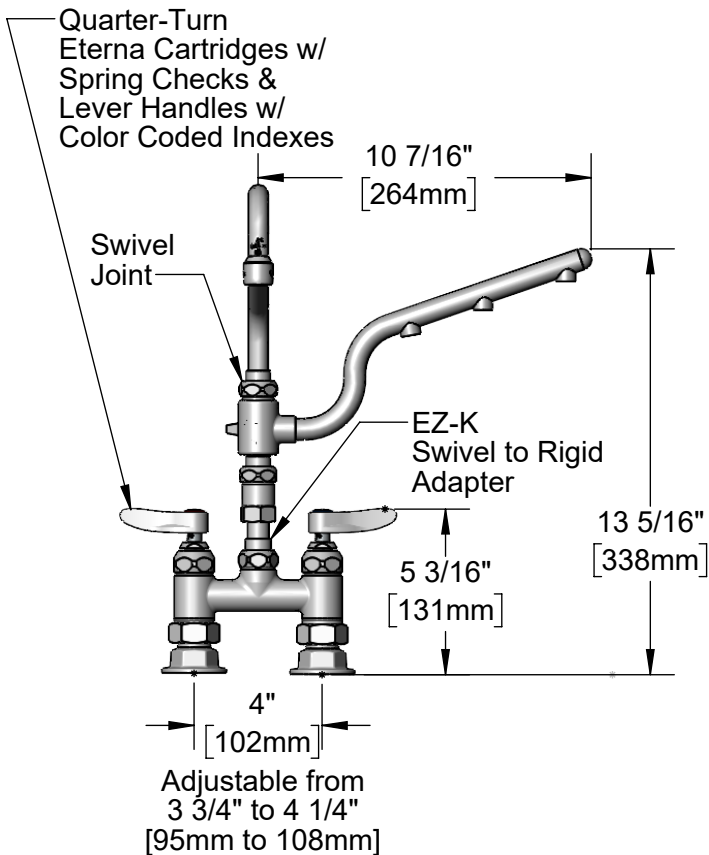
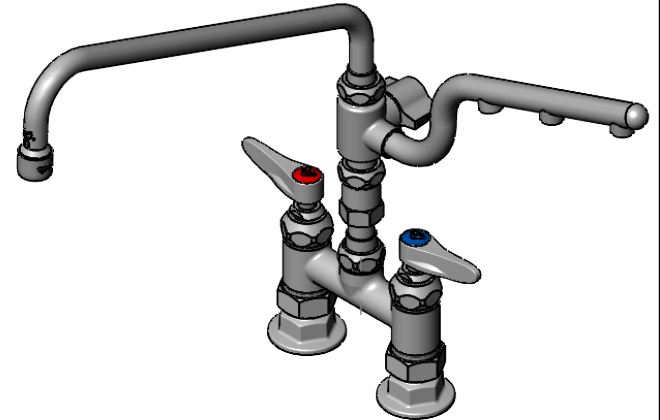
Job Name _____ Date _____

Model Specified _____ Quantity _____

Customer/Wholesaler _____

Contractor _____

Architect/Engineer _____



Product Specifications:

4" Deck Mount Mixing Faucet, Quarter-Turn Eterna Cartridges w/ Spring Checks, Lever Handles, 12" Swing Nozzle, 1.5 GPM 10" ULTRARINSE Multiple Tip Spray Arm & 1/2" NPT Female Inlets

Product Compliance:

ASME A112.18.1 / CSA B125.1
NSF 61 - Section 9
NSF 372 (Low Lead Content)
ANSI A117.1 (ADA)