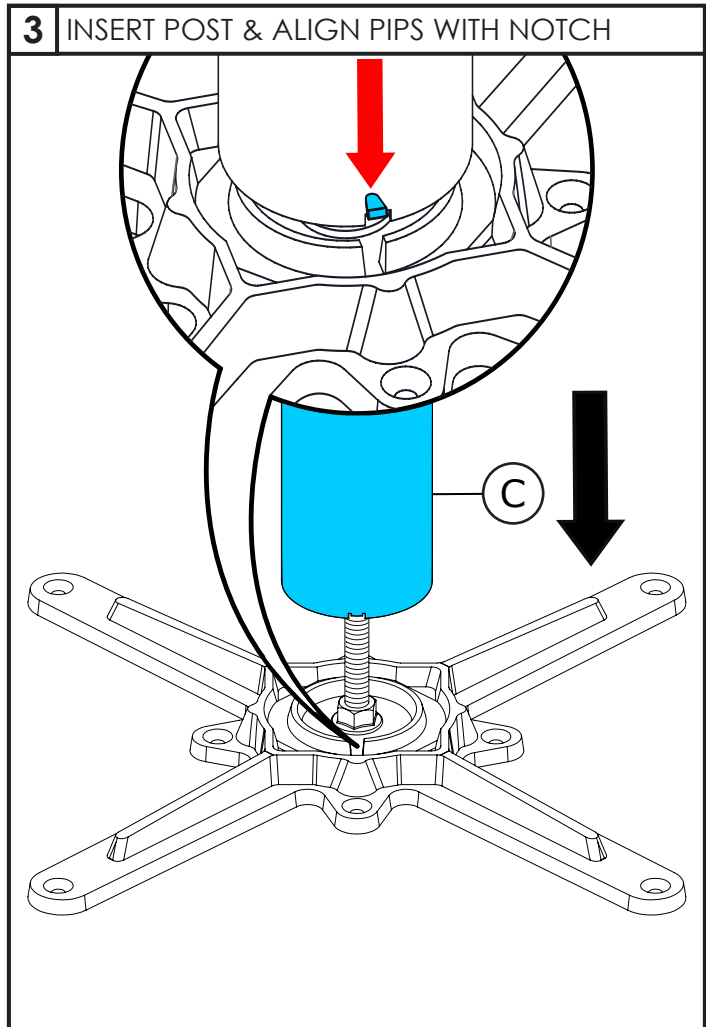
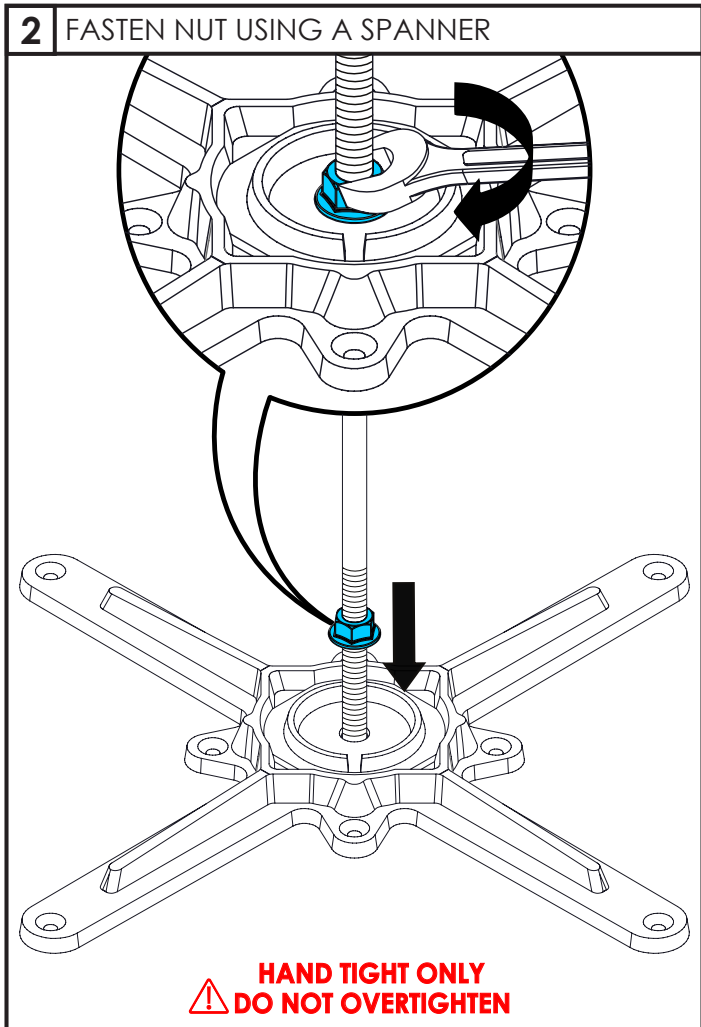
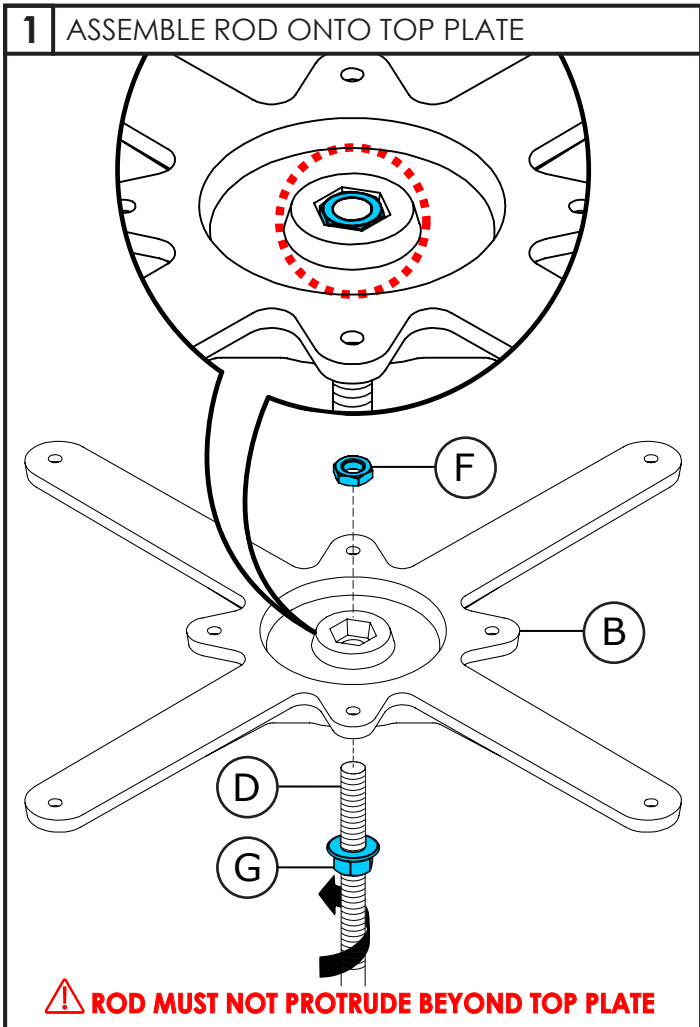
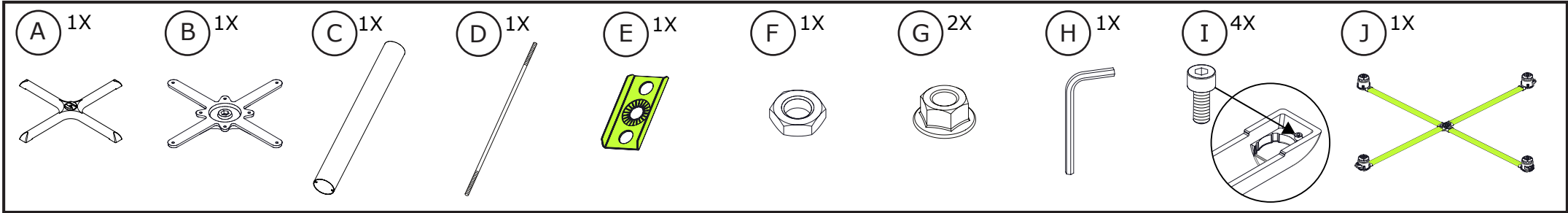
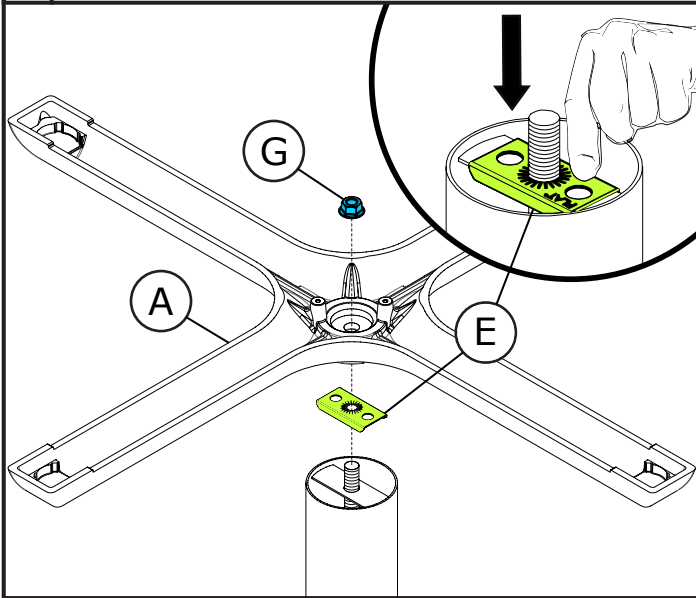


ASSEMBLY INSTRUCTIONS X-BASE - AUTO ADJUST

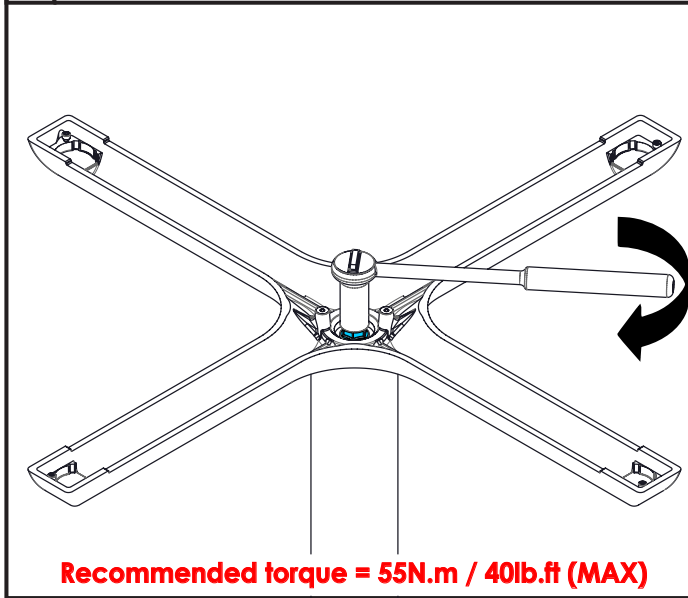


ASSEMBLY INSTRUCTIONS X-BASE - AUTO ADJUST

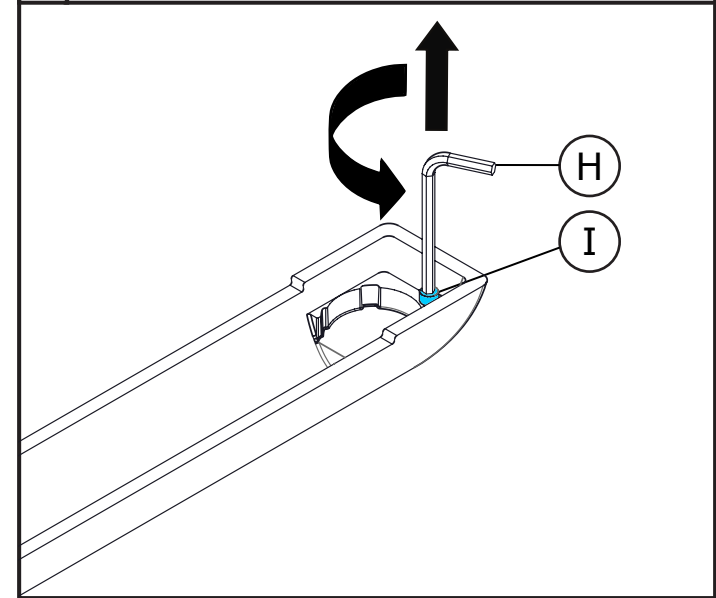
4 ADD BASE INSERT & SECURE BASE TO POST



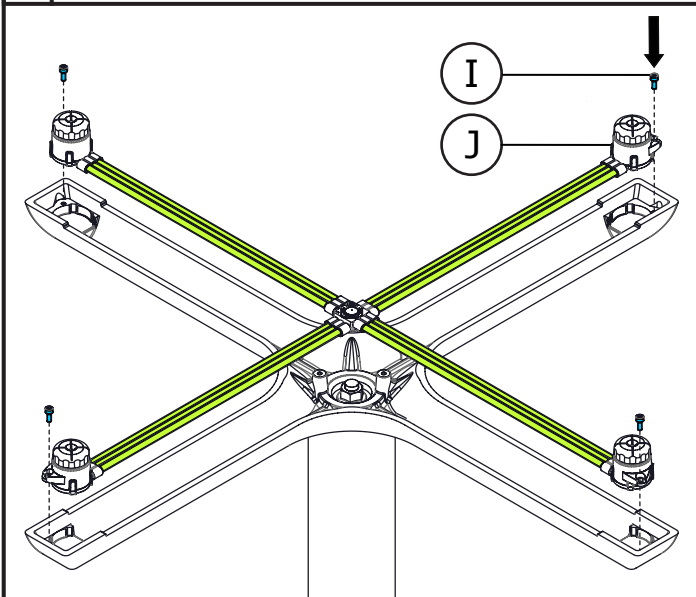
5 FASTEN NUT USING A TORQUE WRENCH



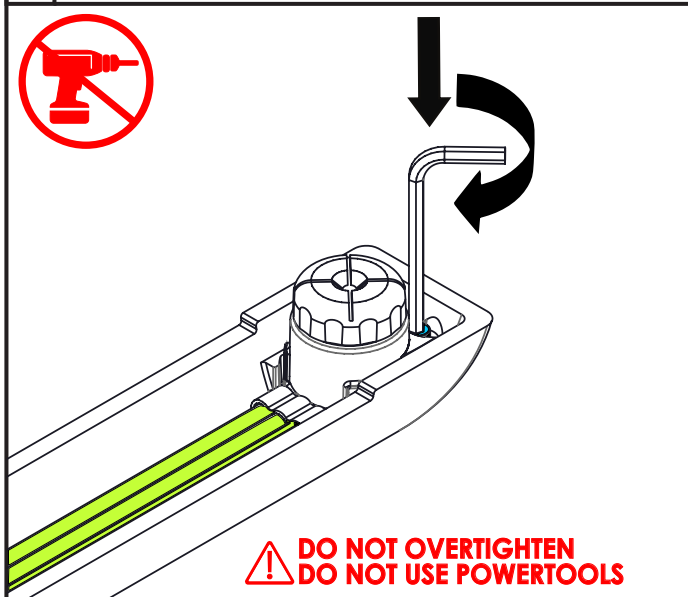
6 UNDO & REMOVE SCREWS FROM BASE



7 INSERT PAD ONTO BASE



8 FASTEN SCREWS USING ALLEN KEY SUPPLIED



9 FASTEN TABLE ASSEMBLY ONTO TABLE TOP

